

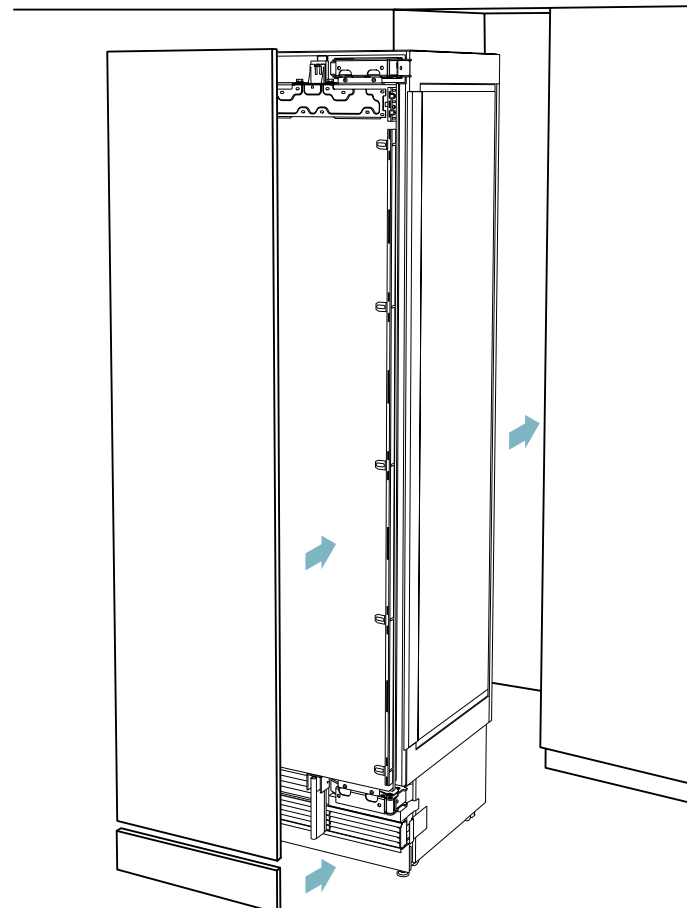
Gaggenau

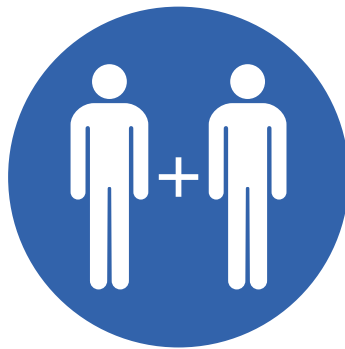
RC462304

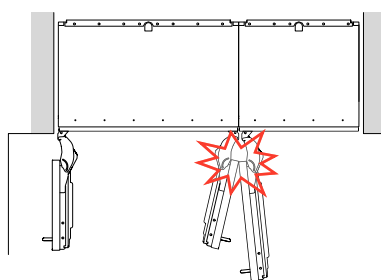
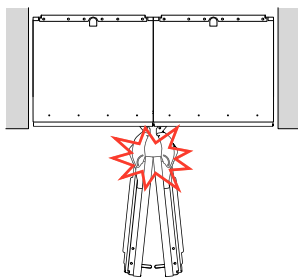
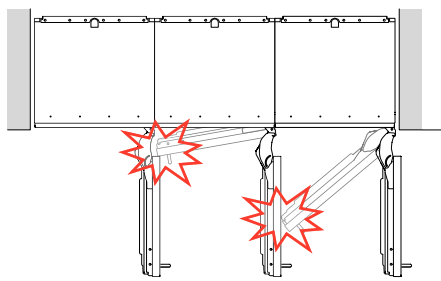
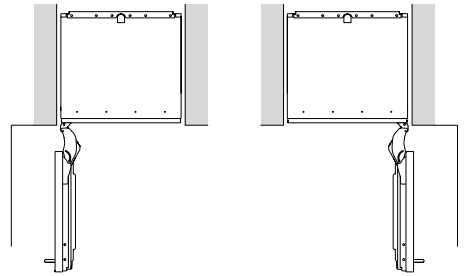
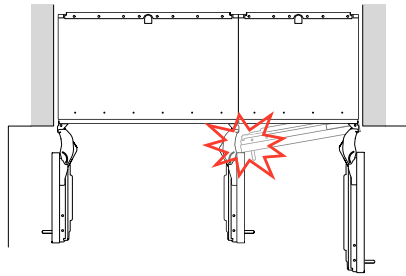
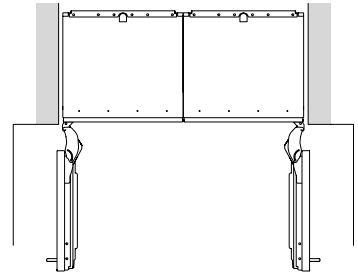
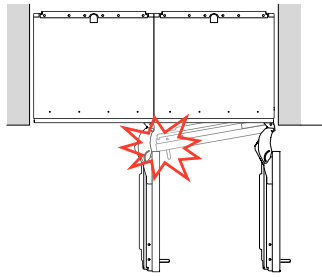
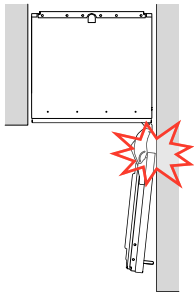
RC472304

RC492304

RC462504

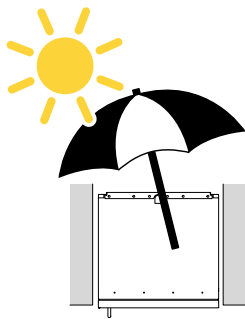
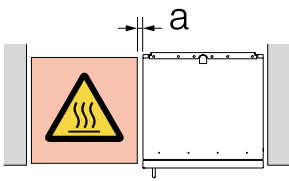




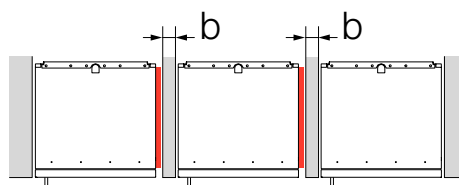
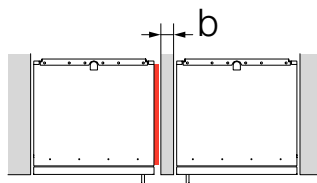
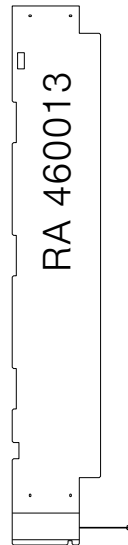
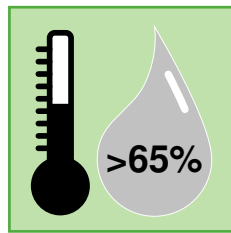




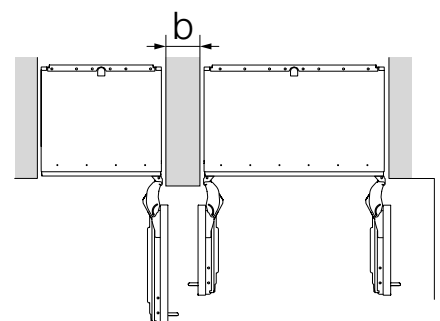
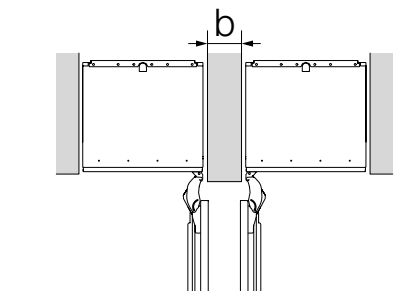
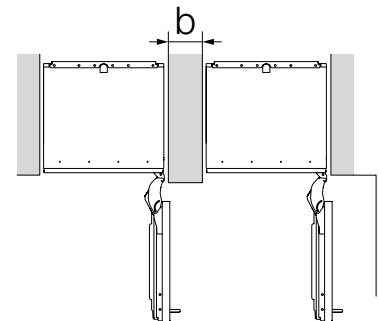
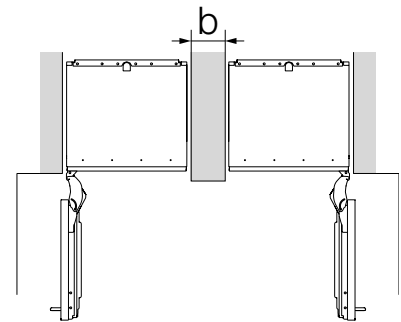
$a \geq 30 \text{ mm}$

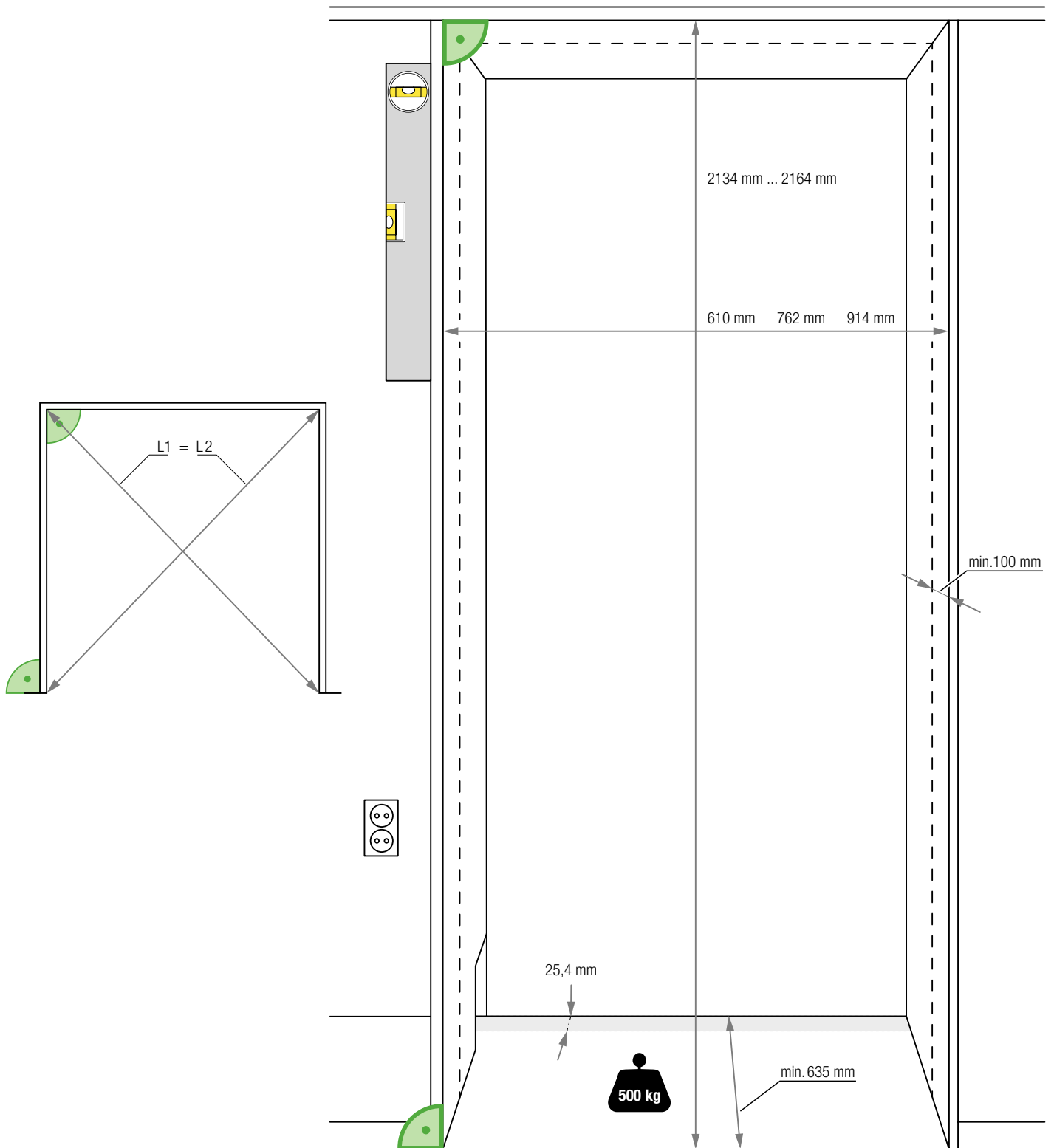
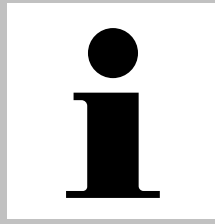


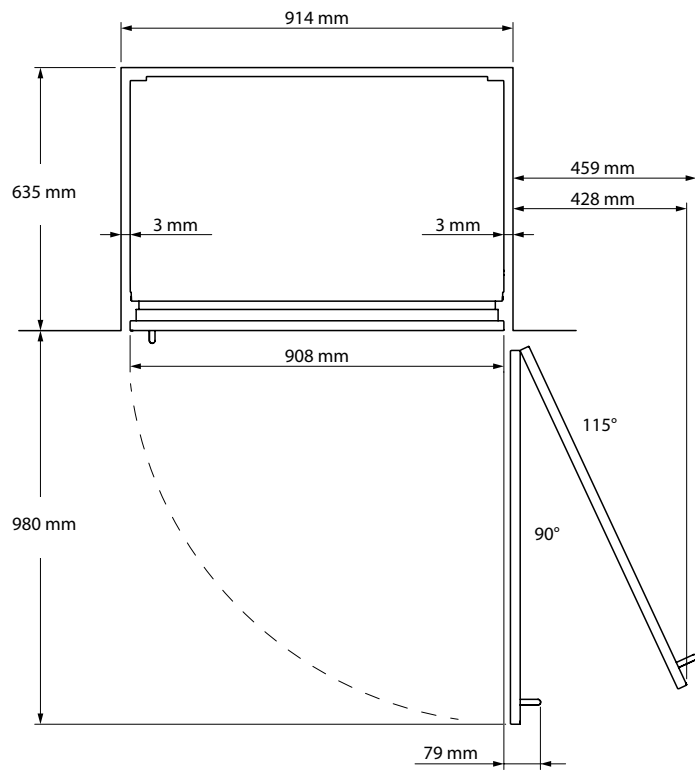
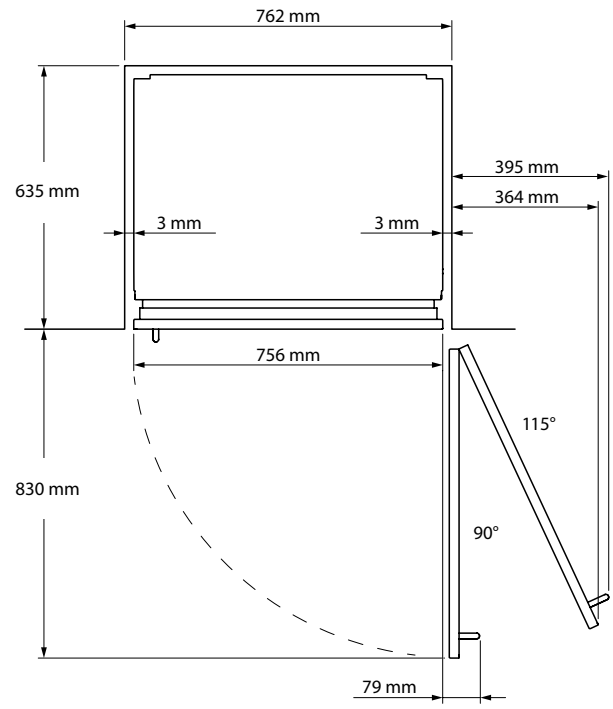
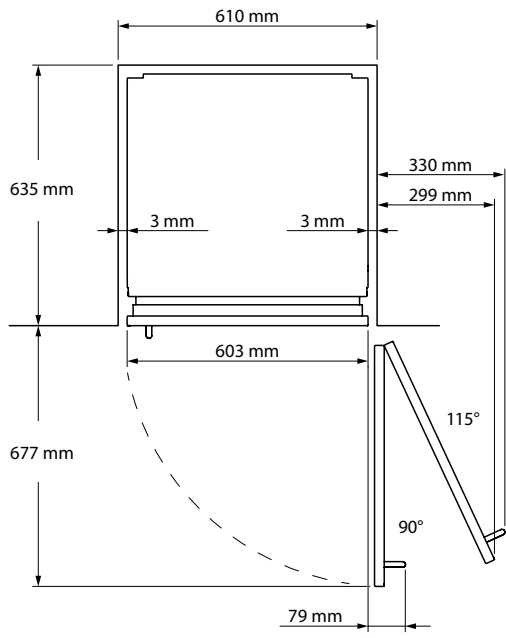
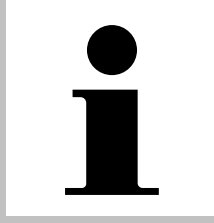
$16 \text{ mm} \leq b < 160 \text{ mm}$

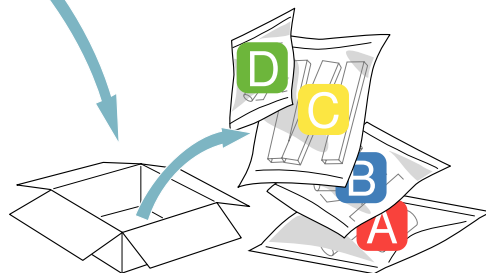
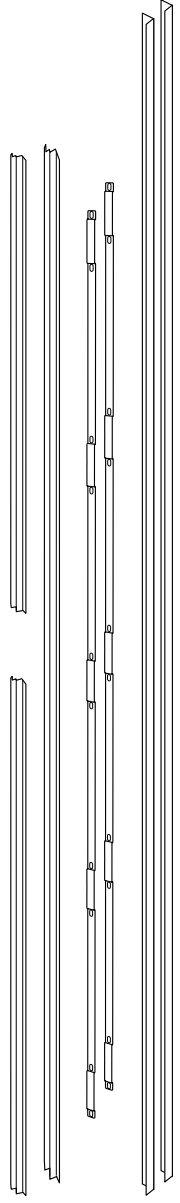
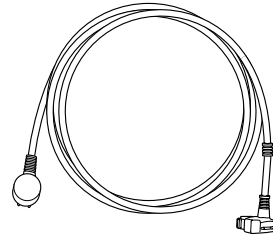
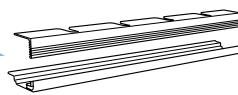
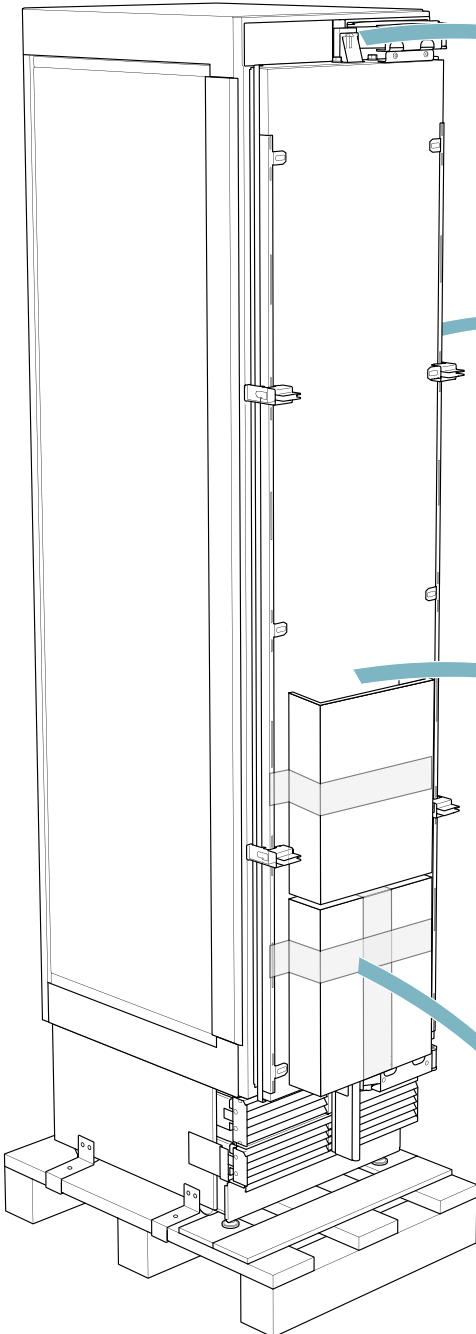
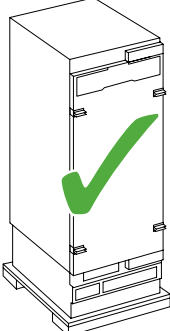
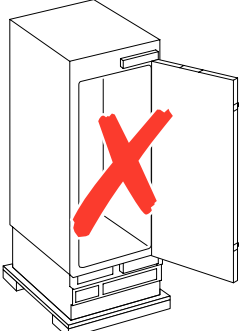
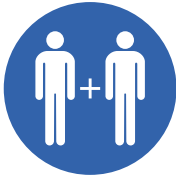


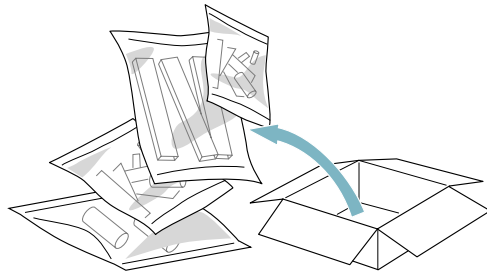
$b \geq 160 \text{ mm}$




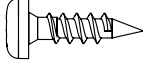


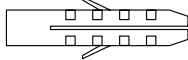


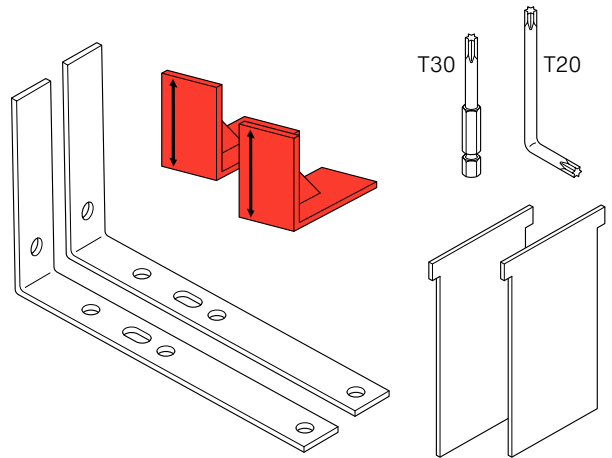





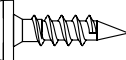


A


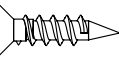


4x15			6x
5x60			4x
6x31			4x

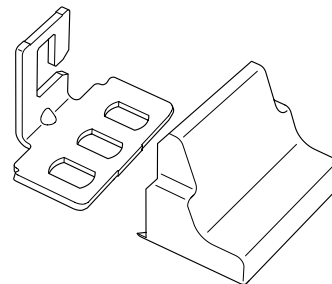


B

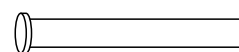
4x15			8x
------	---	---	----

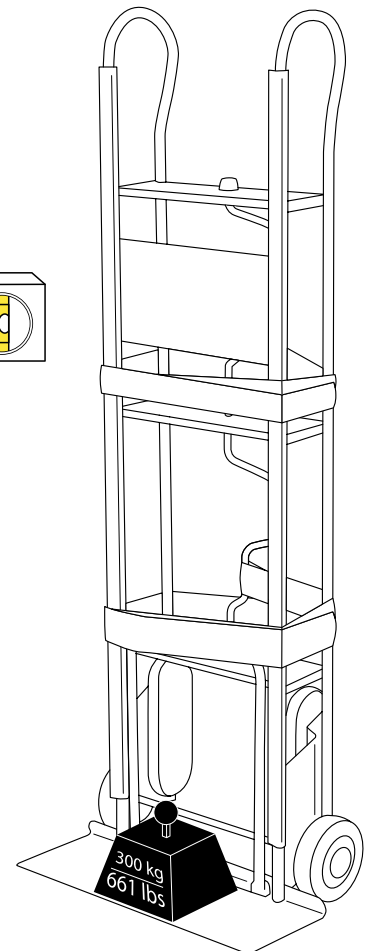
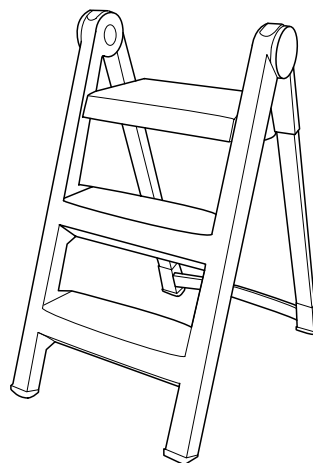
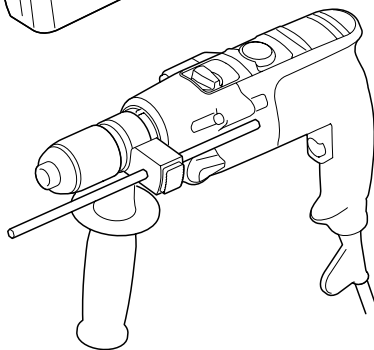
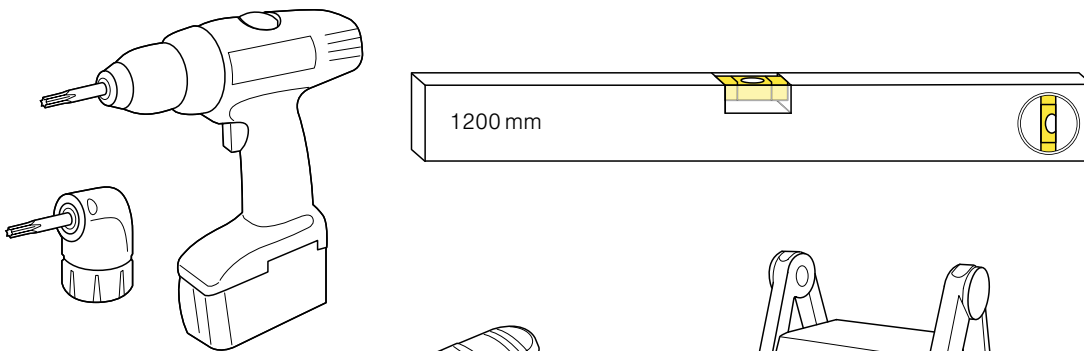
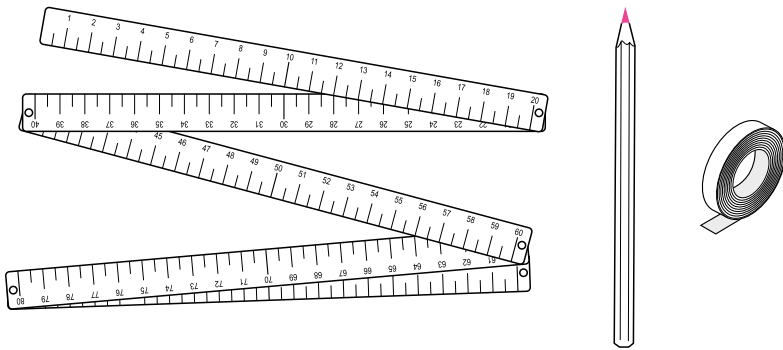
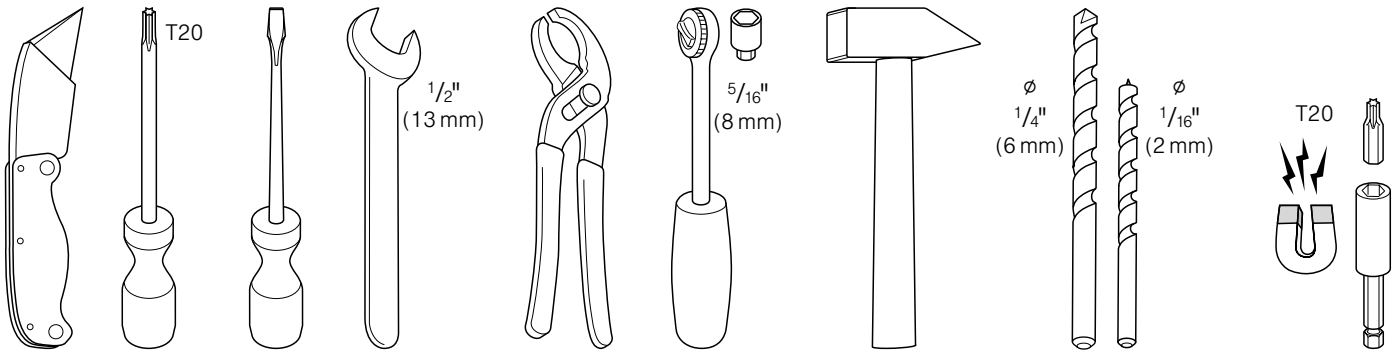
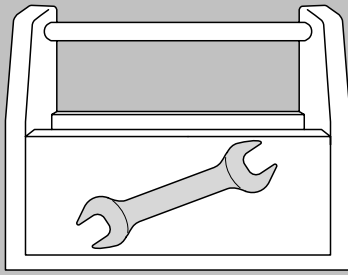
C

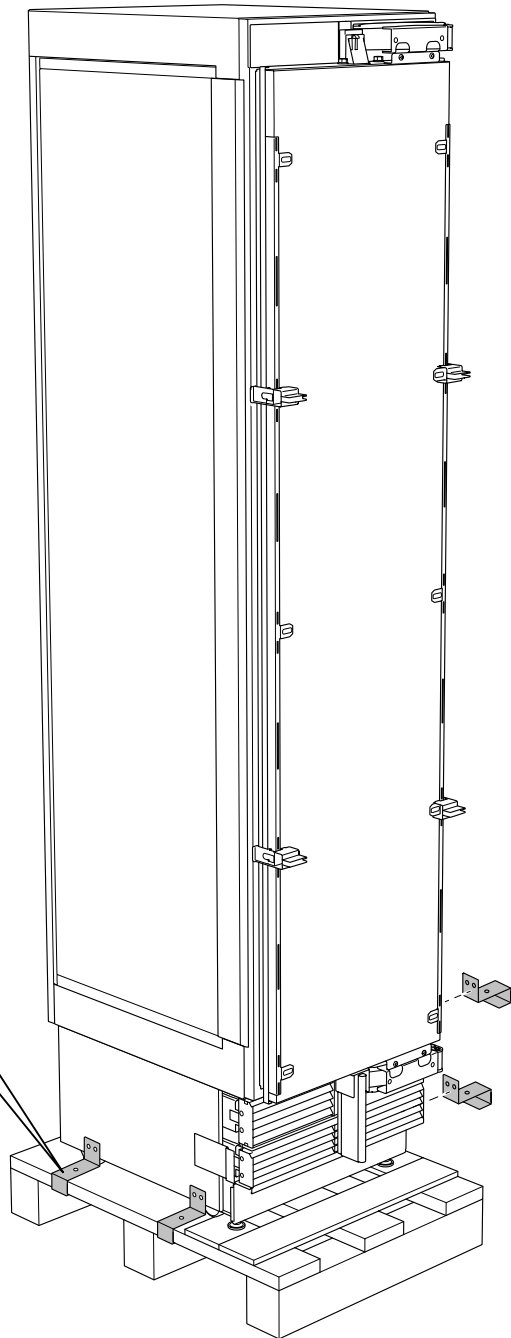
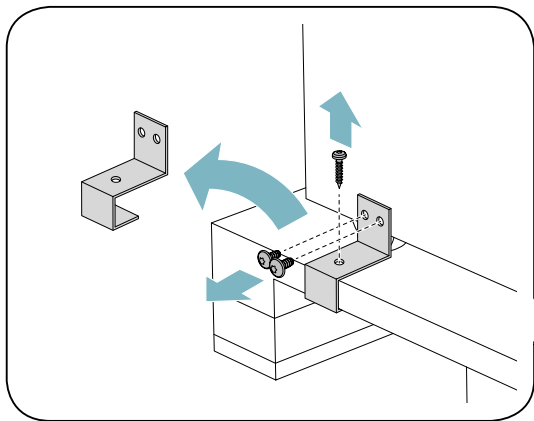
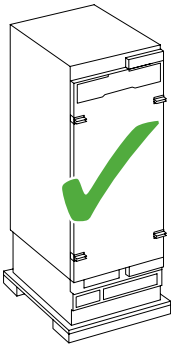
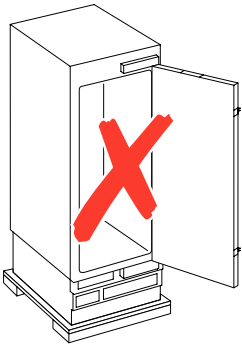
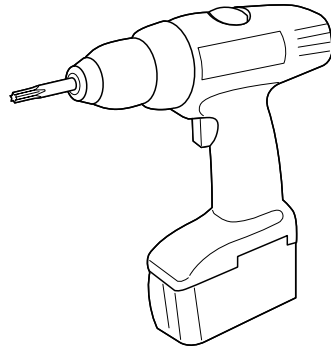
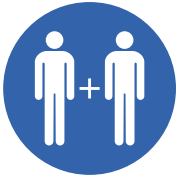
4x15			32x
4x15			2x

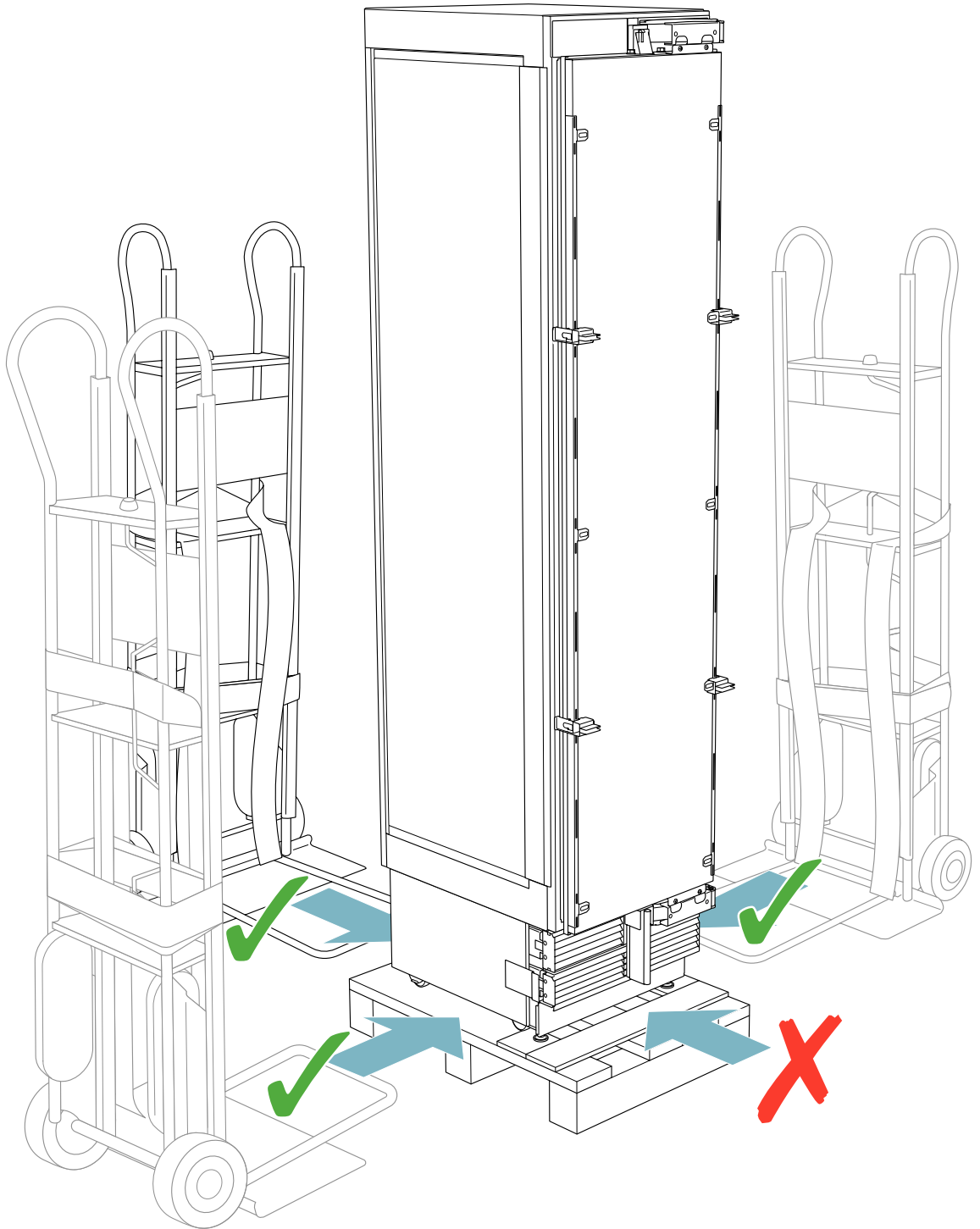
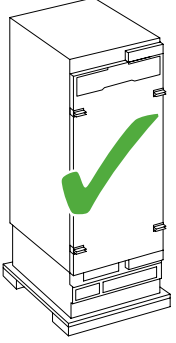
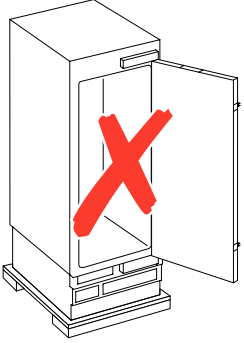
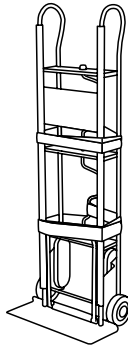
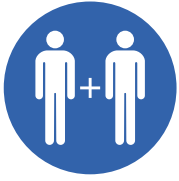


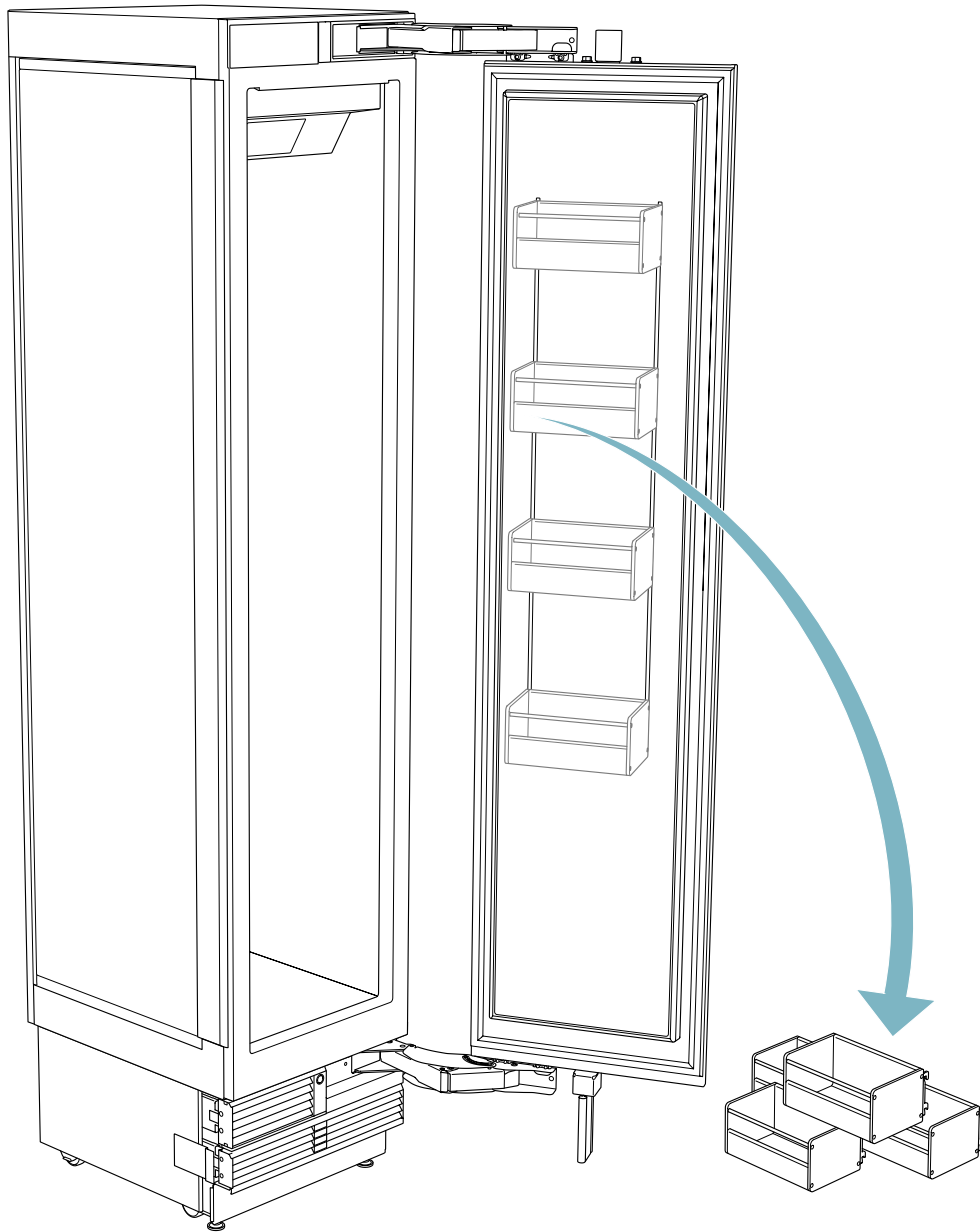
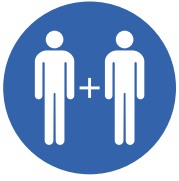
D

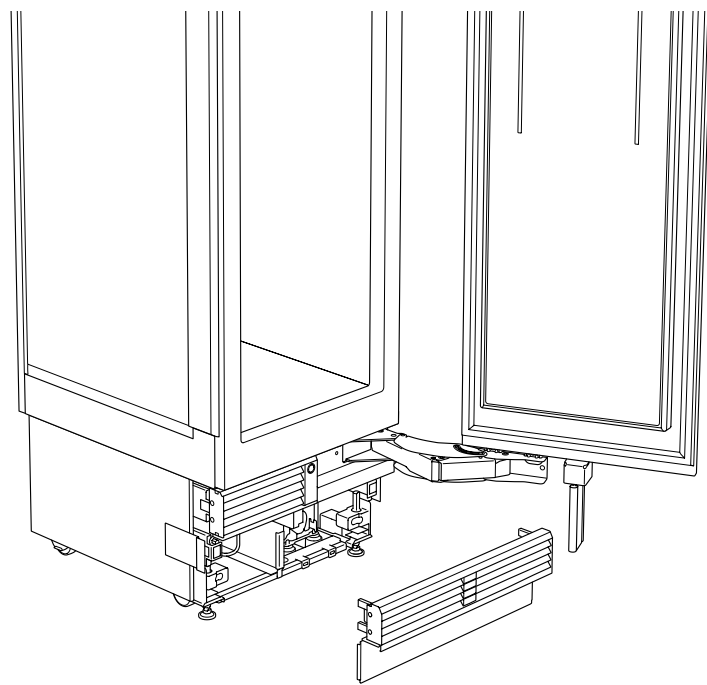
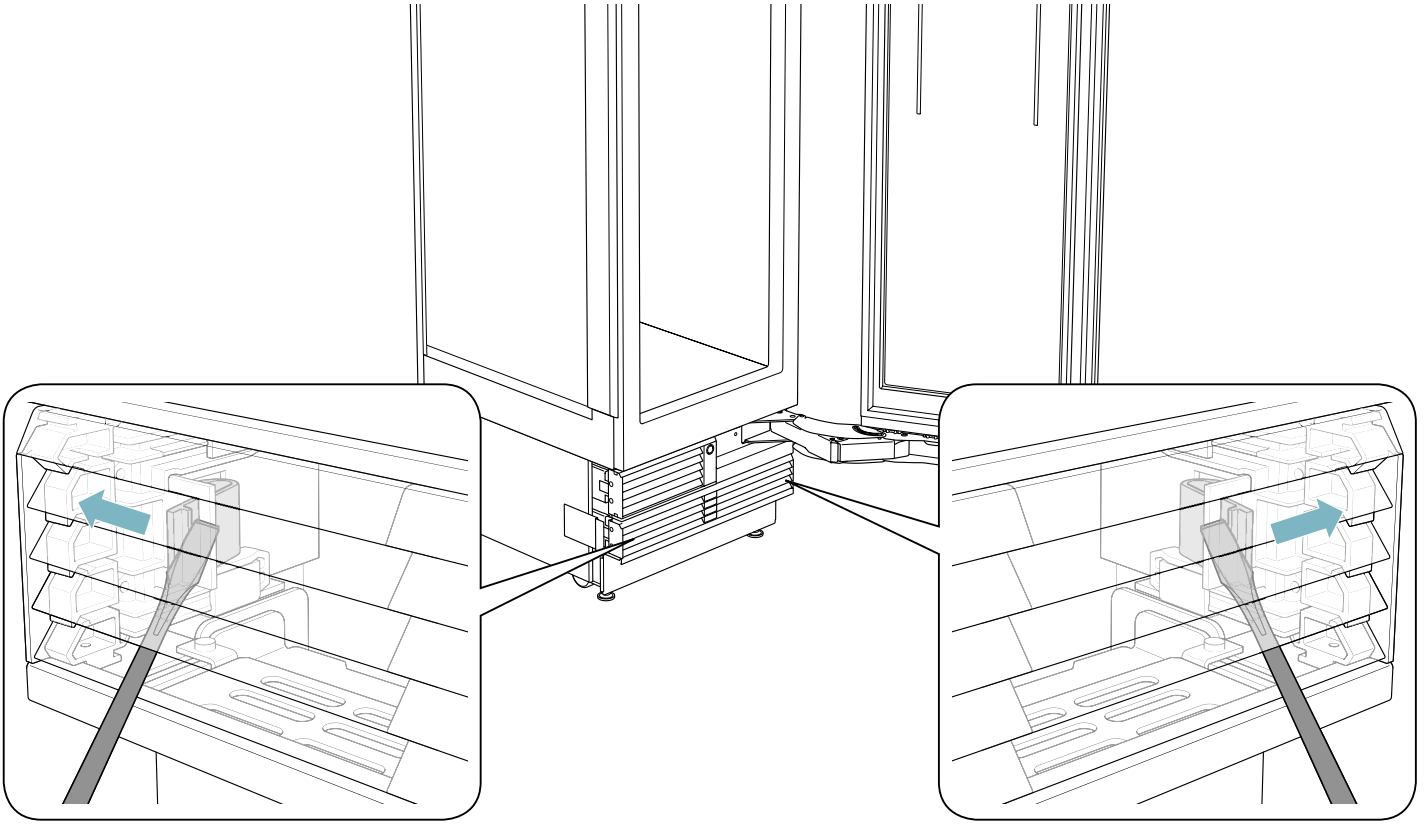
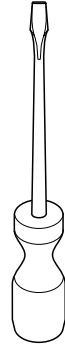
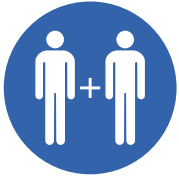


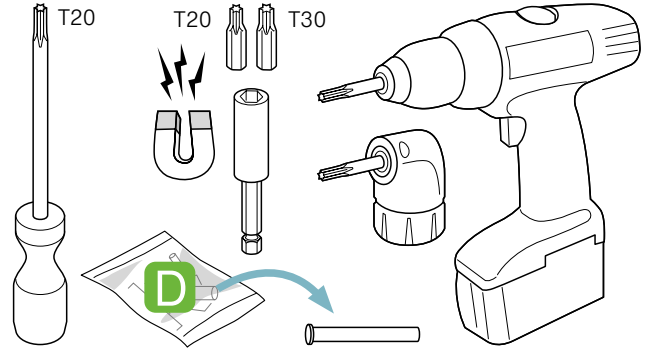
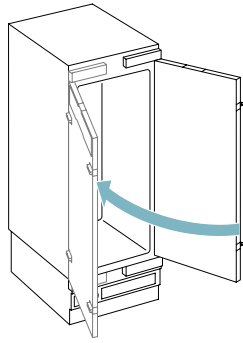
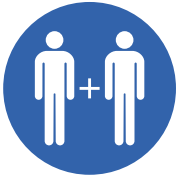










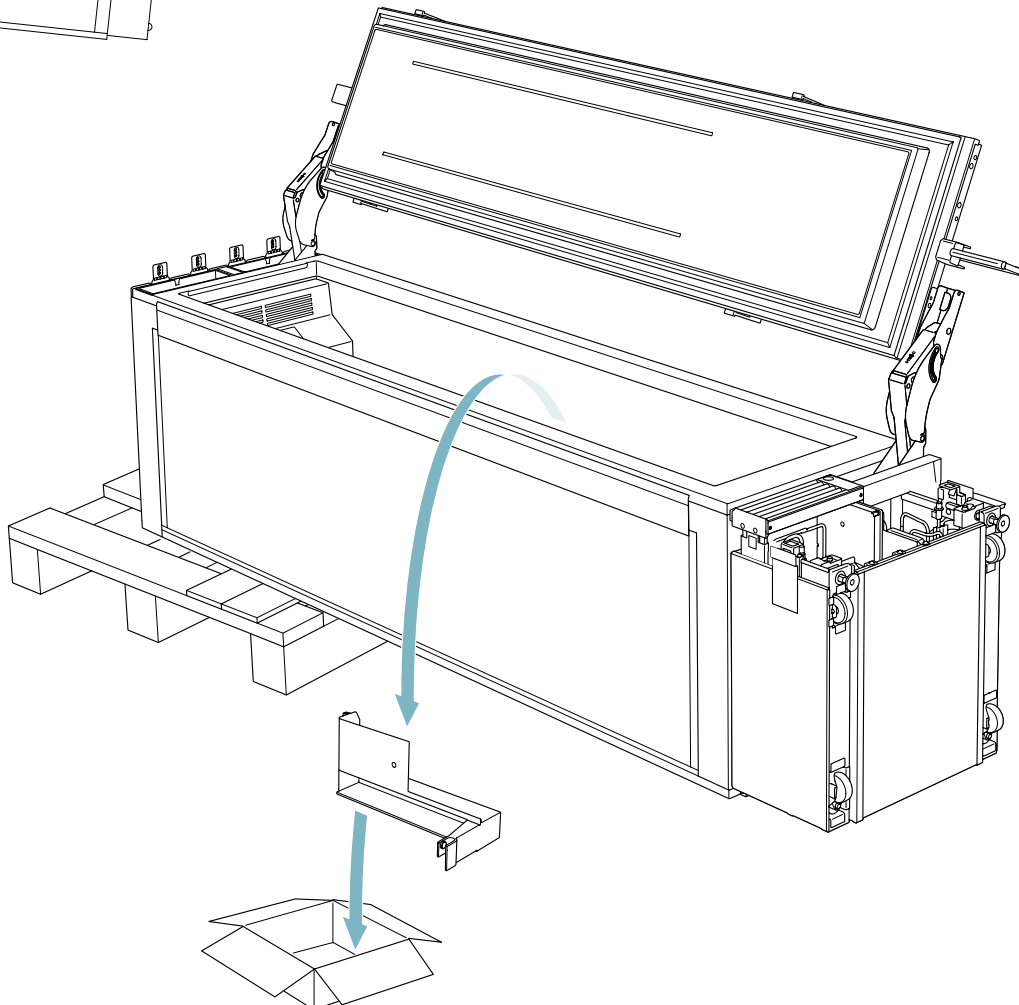
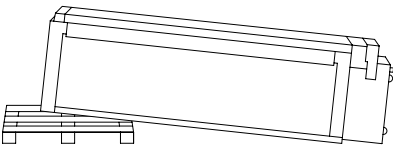
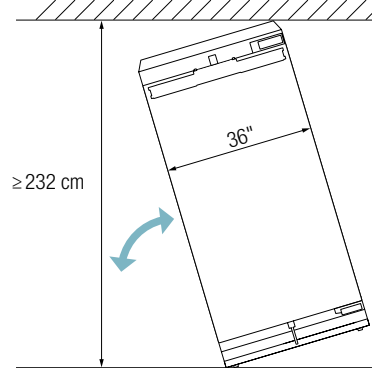
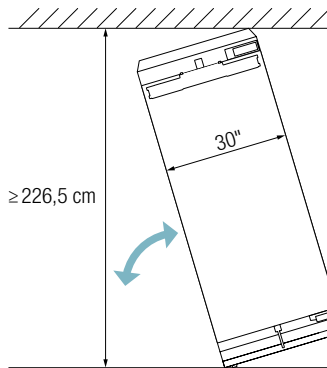
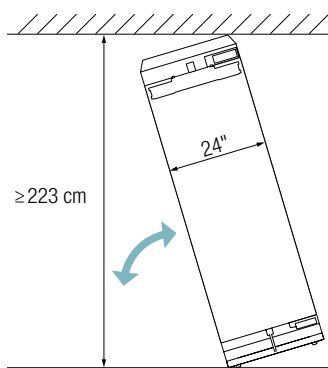
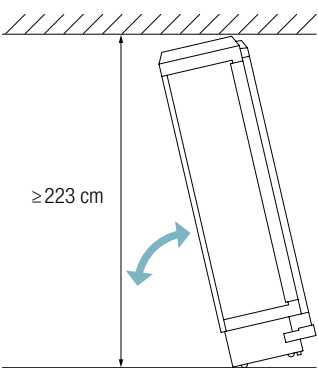


A

B

C

D

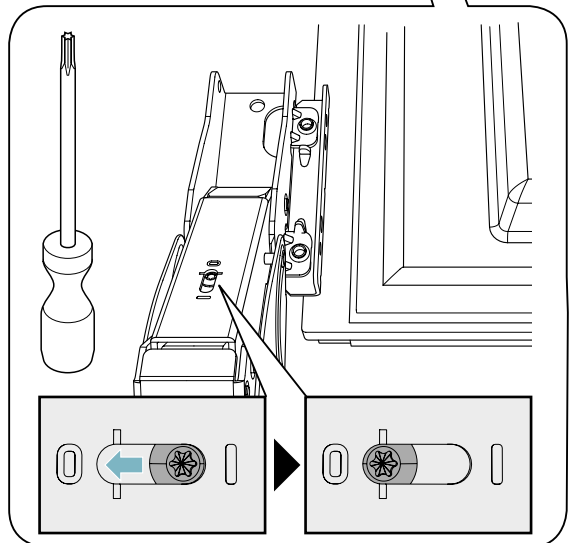
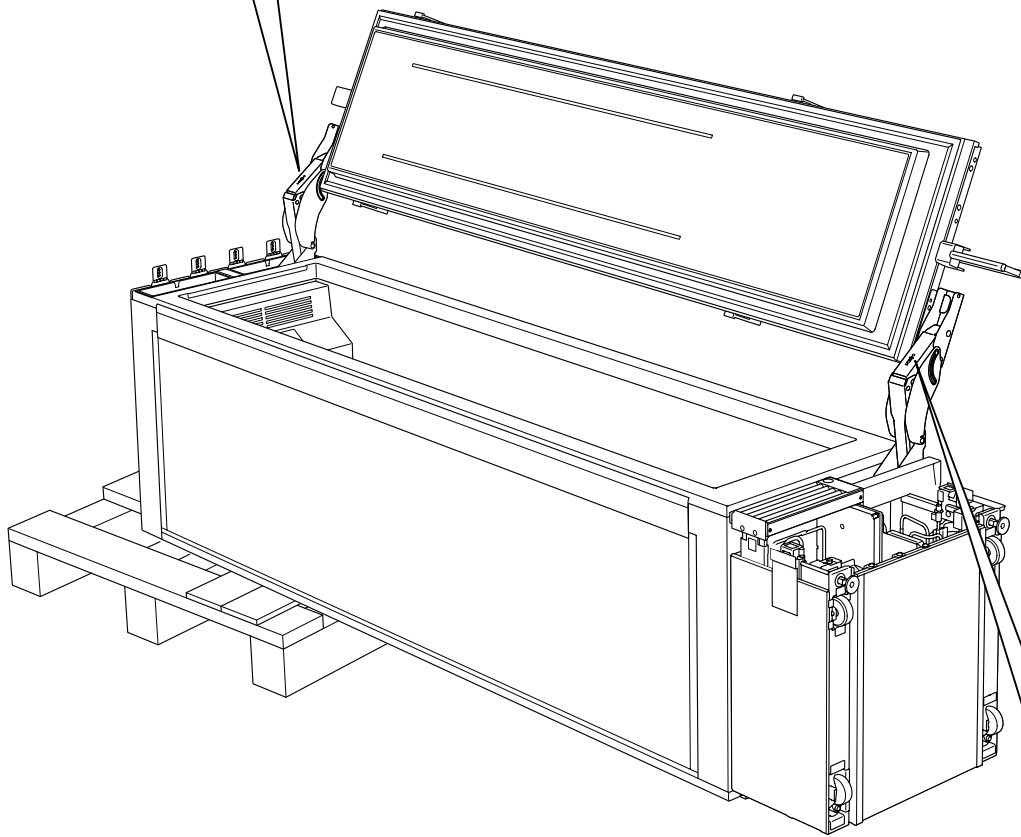
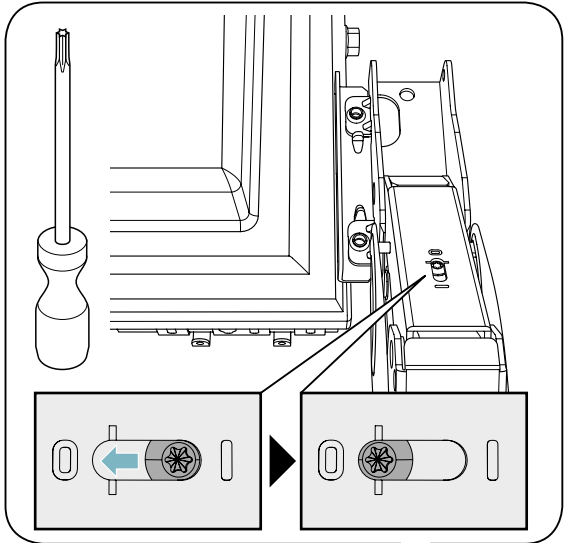


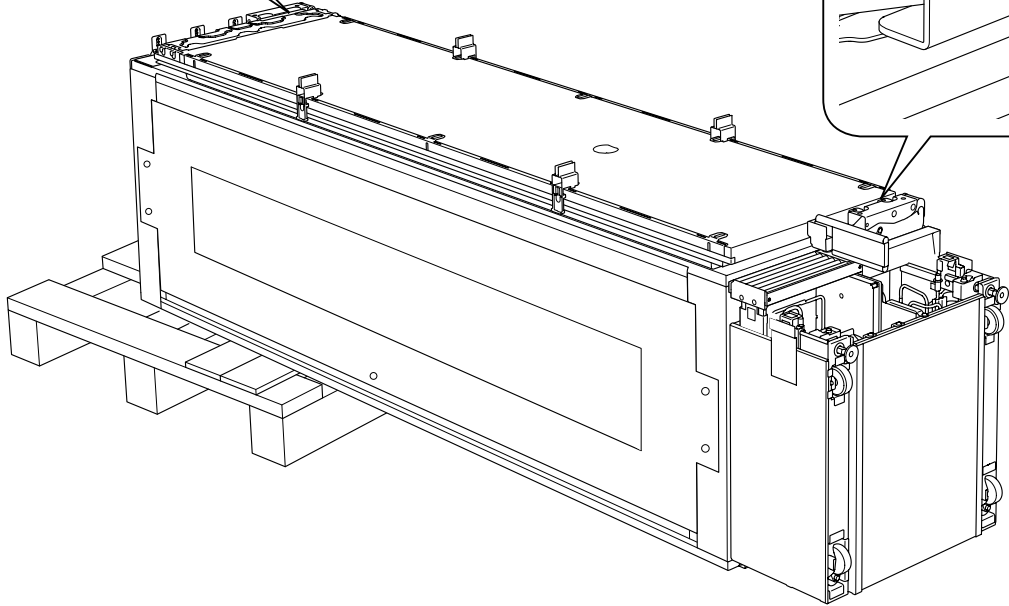
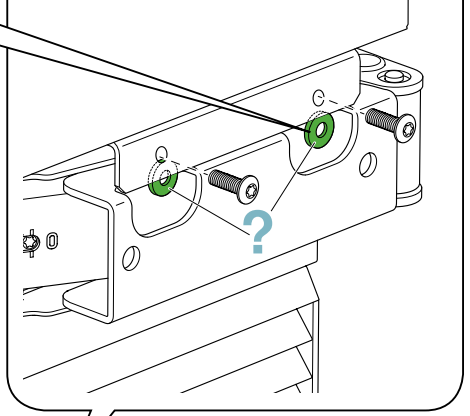
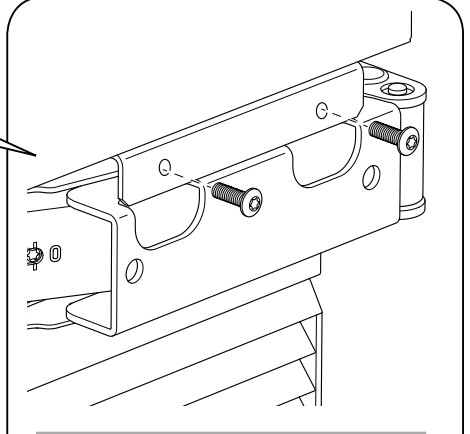
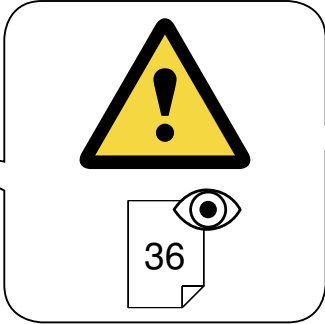
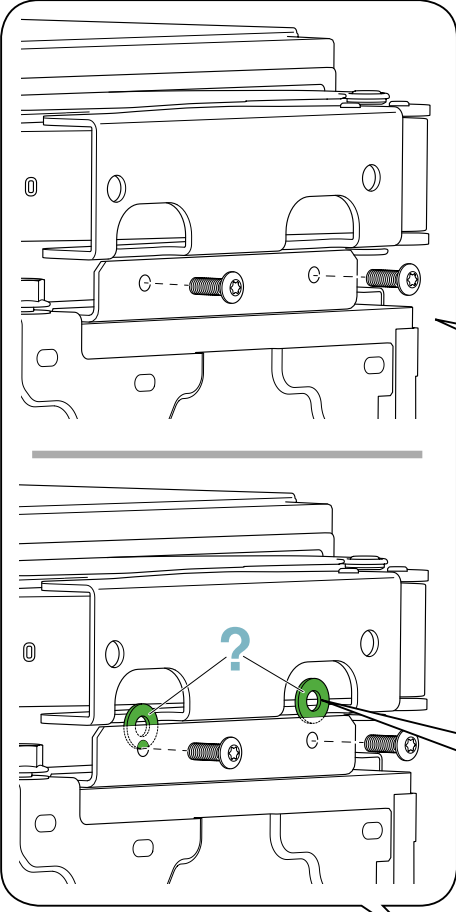
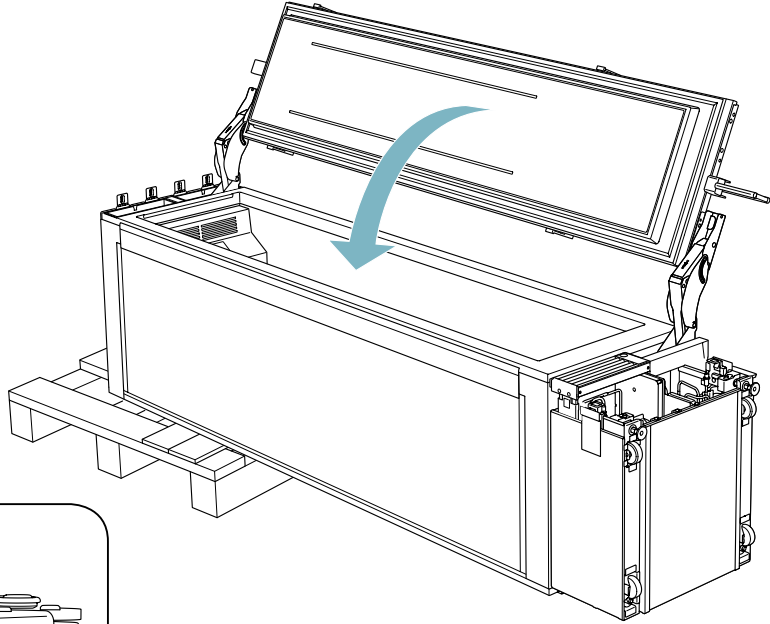
A

B

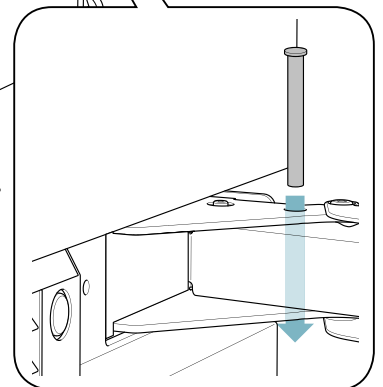
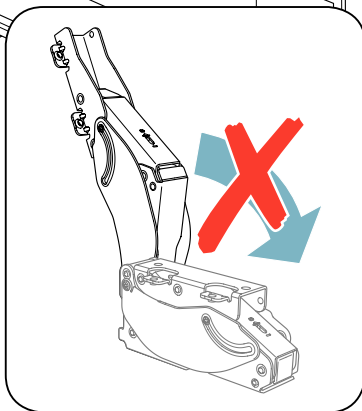
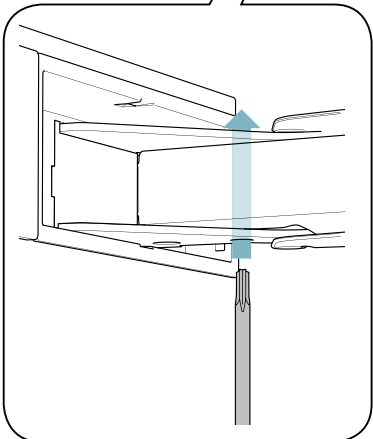
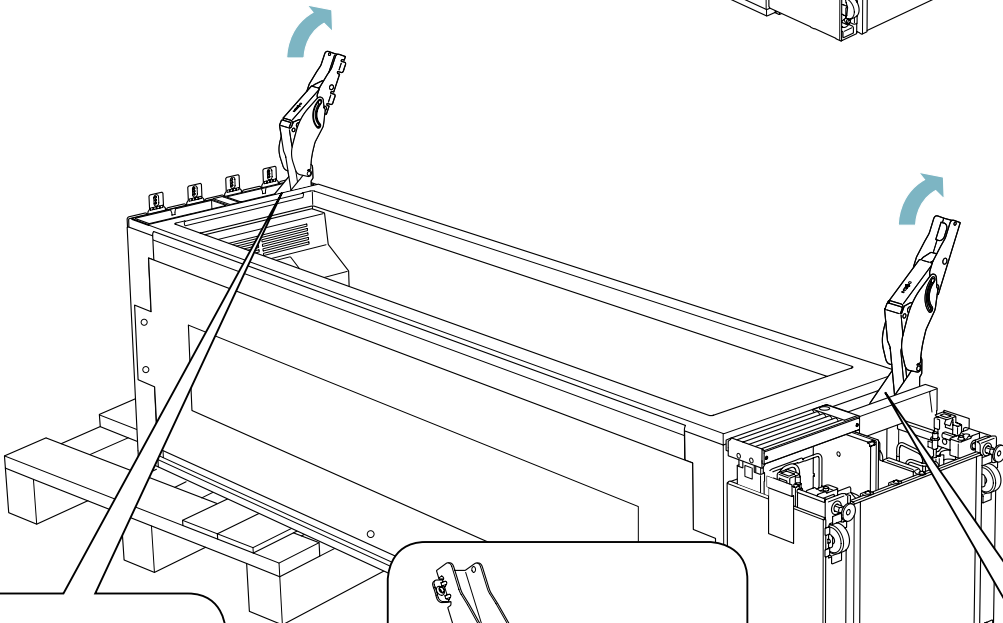
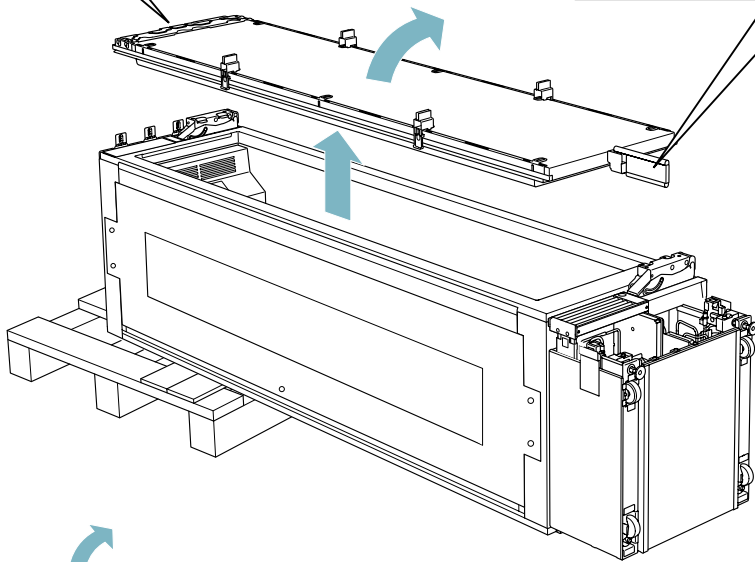
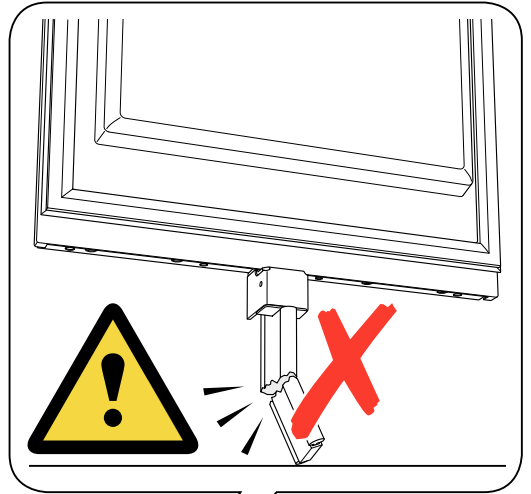
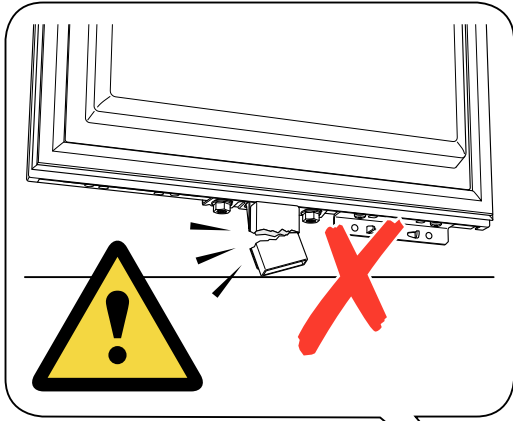
C

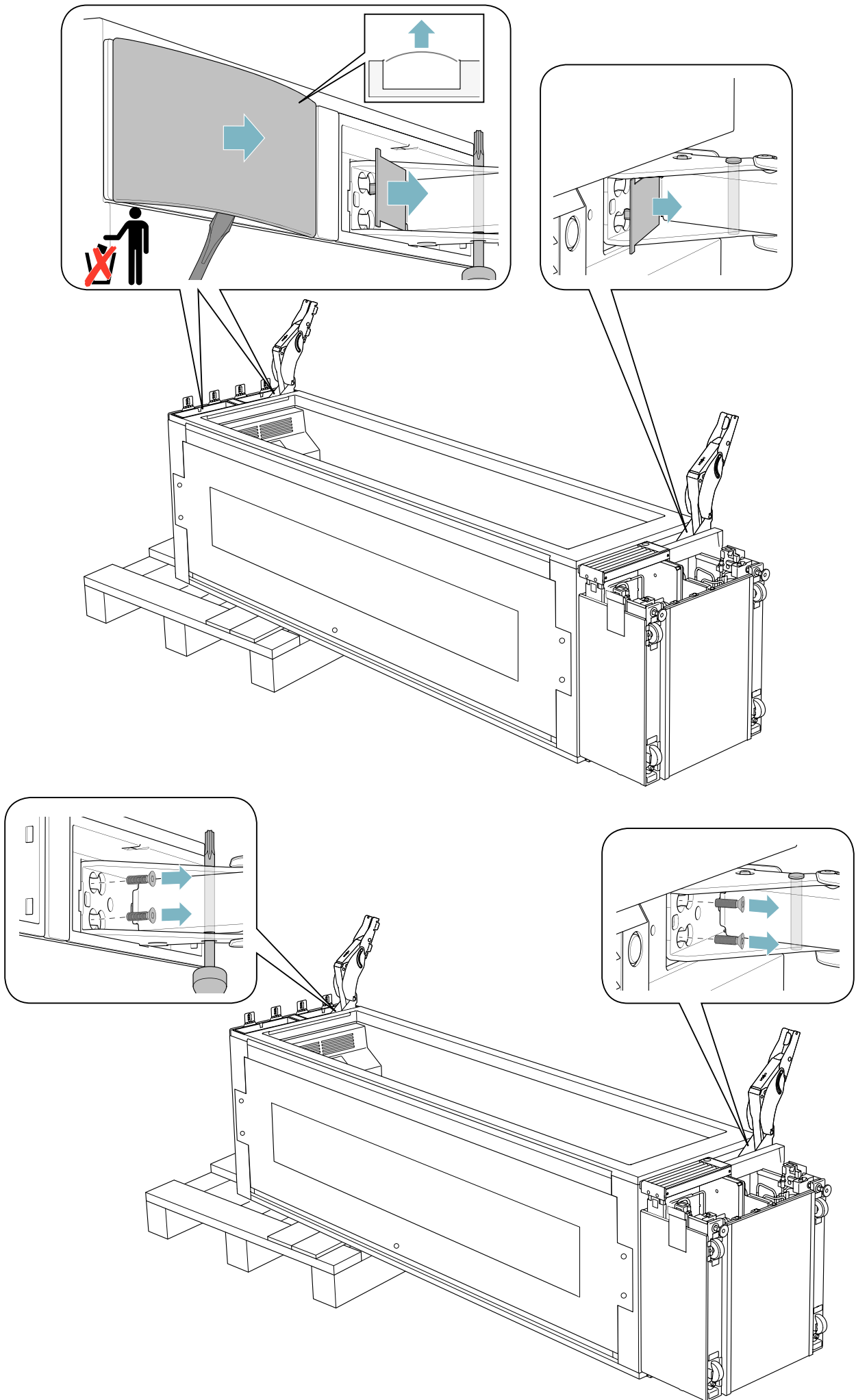
D





A
B
C
D



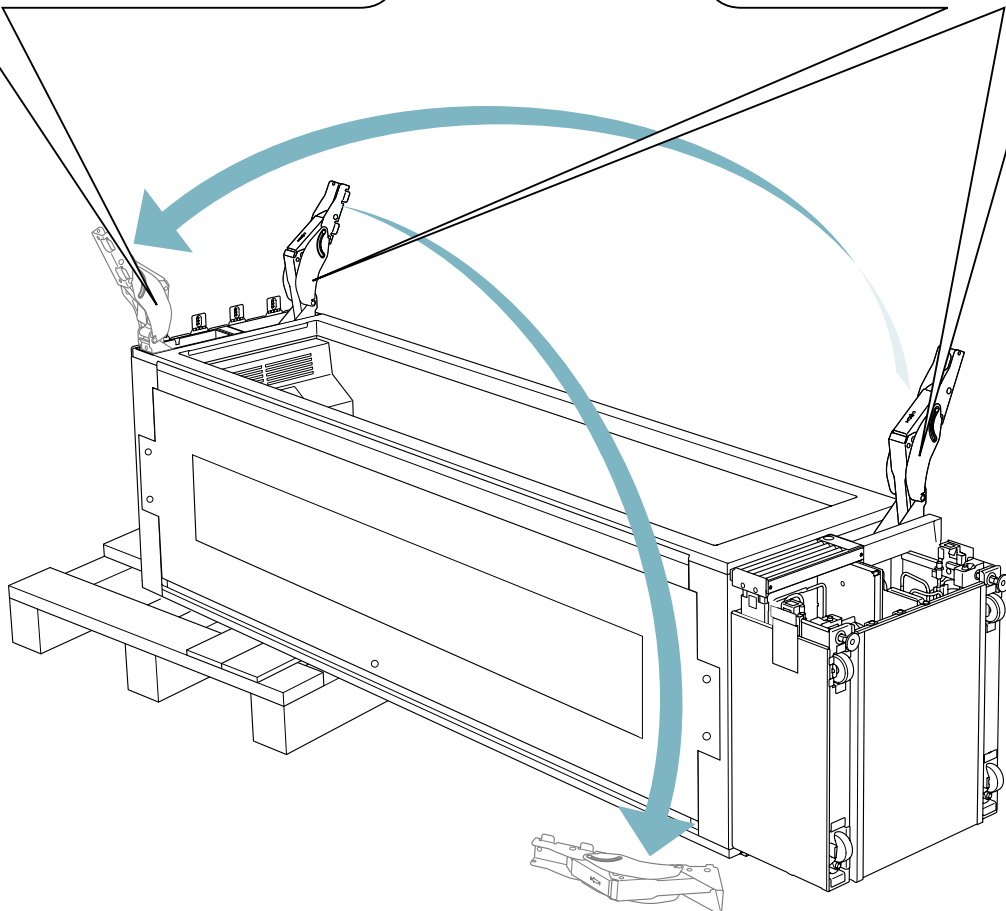
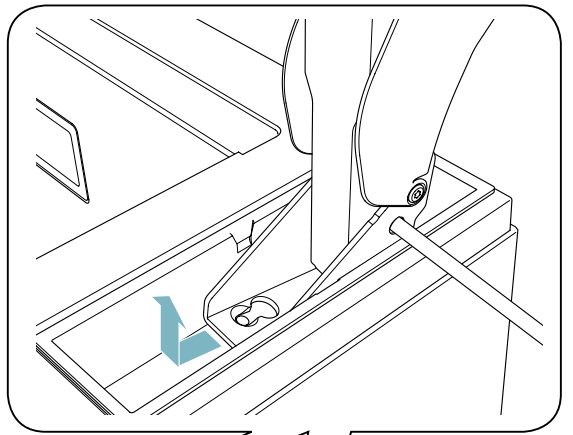
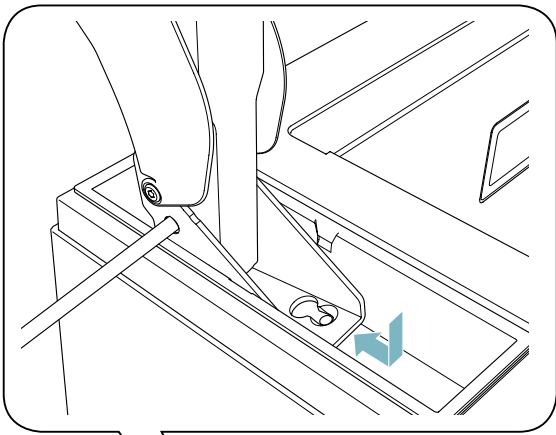
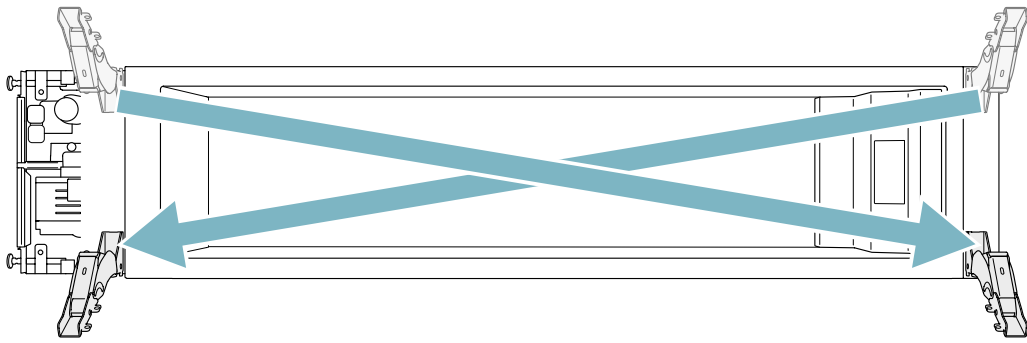


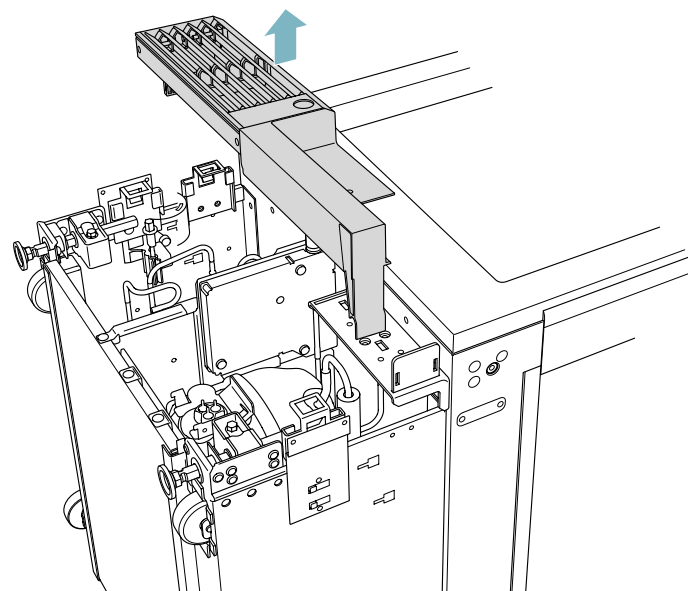
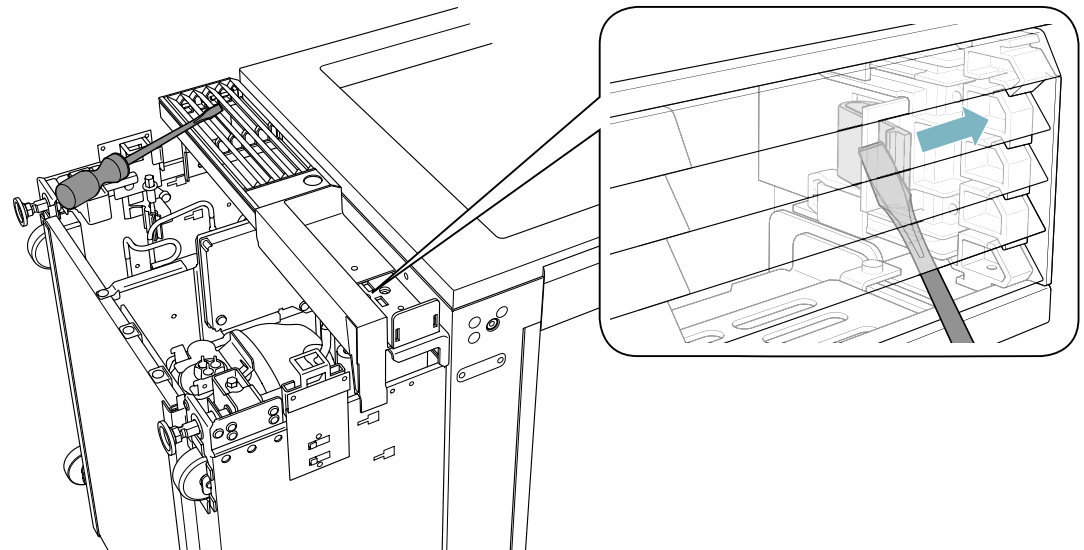
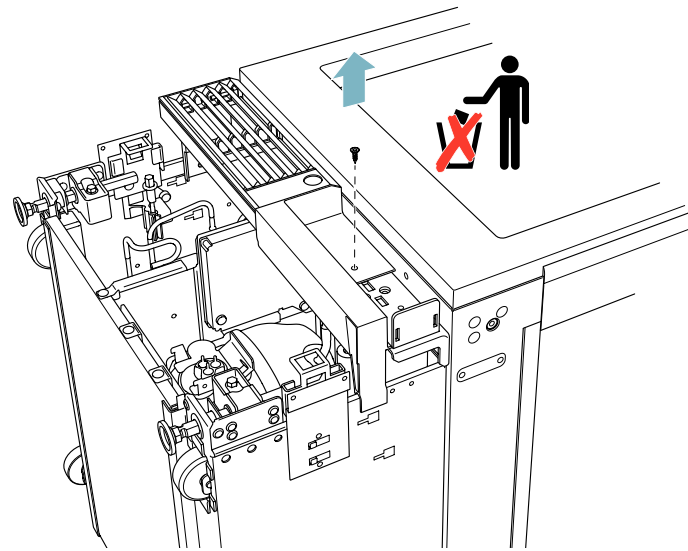
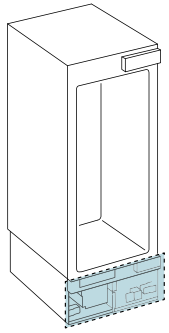
A

B

C

D





- A
- B
- C
- D

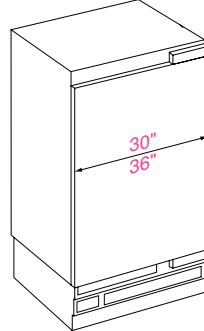
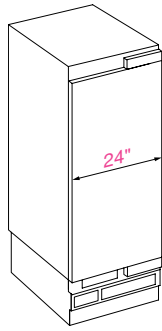
A

B

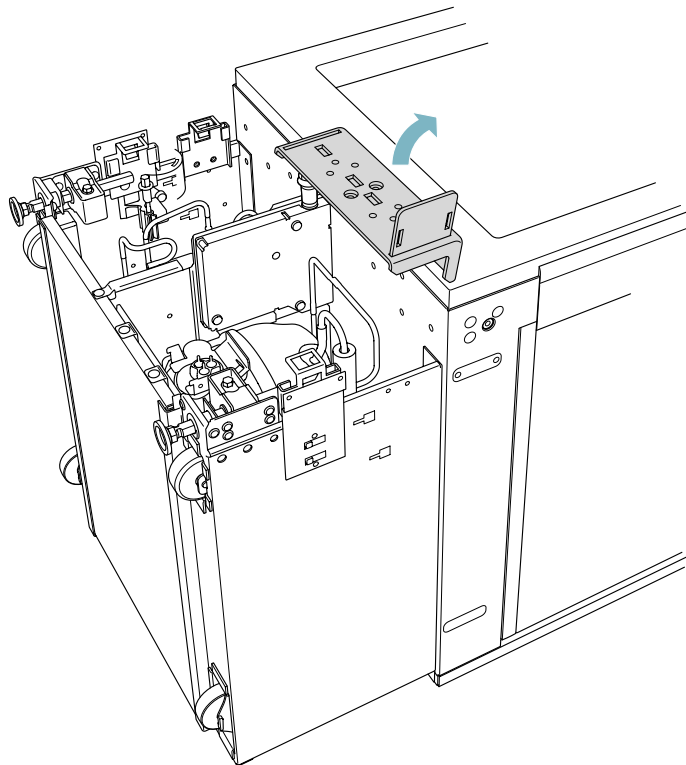
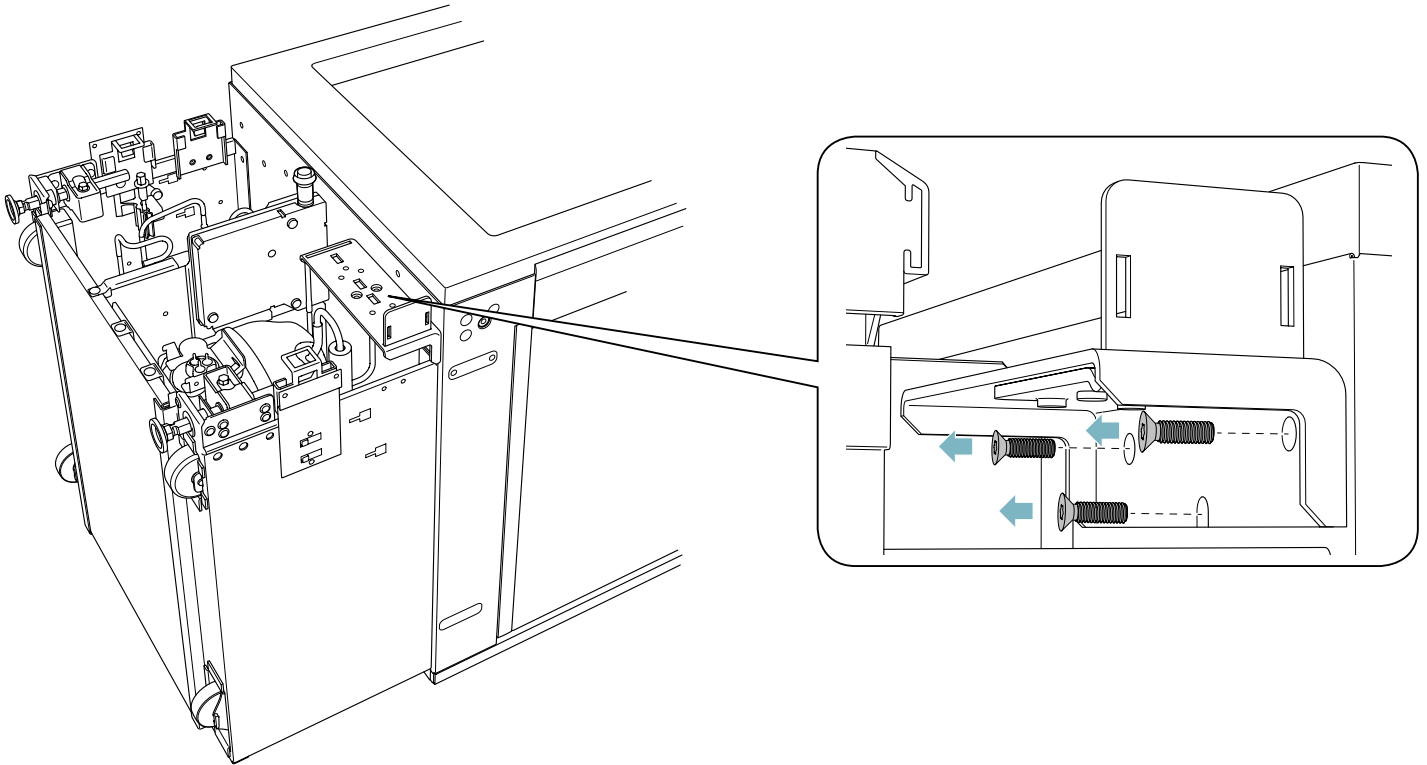
C

D

22



→25

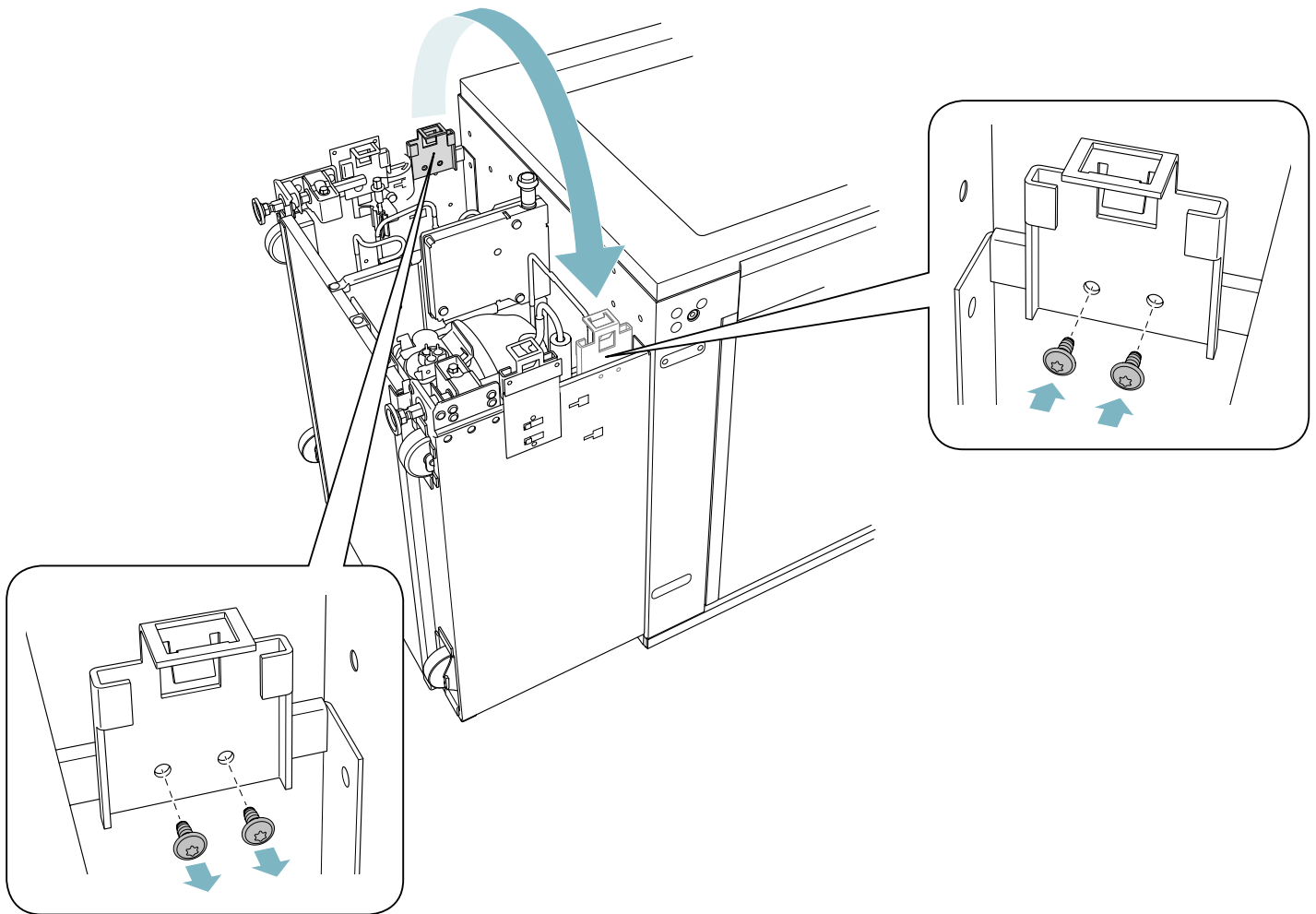
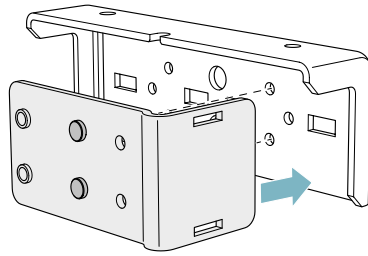
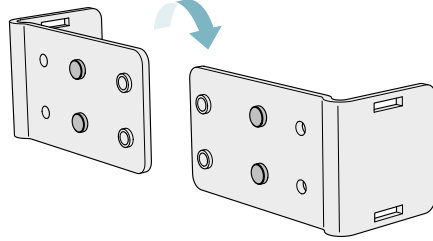
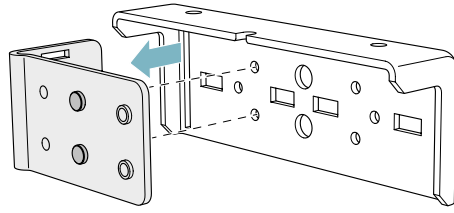


A

B

C

D

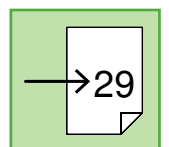
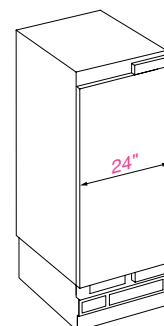
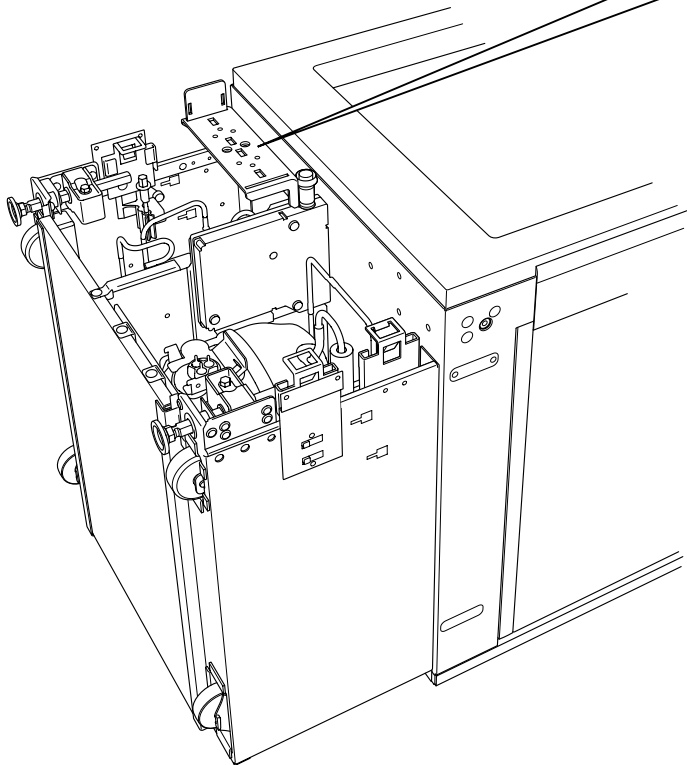
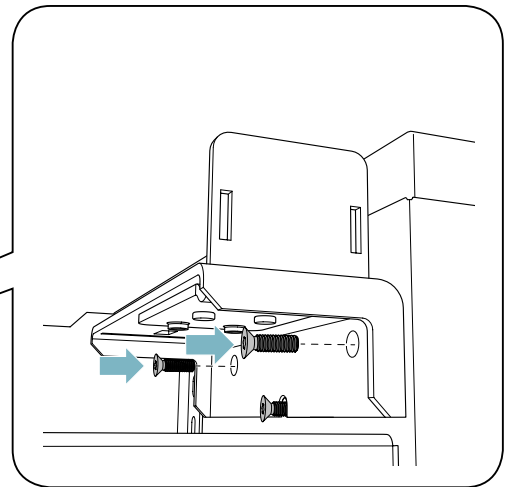
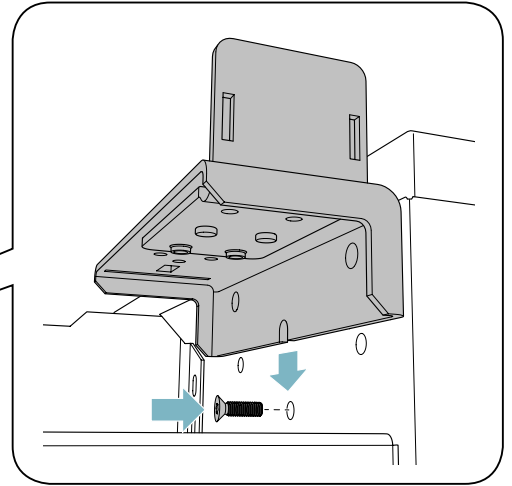
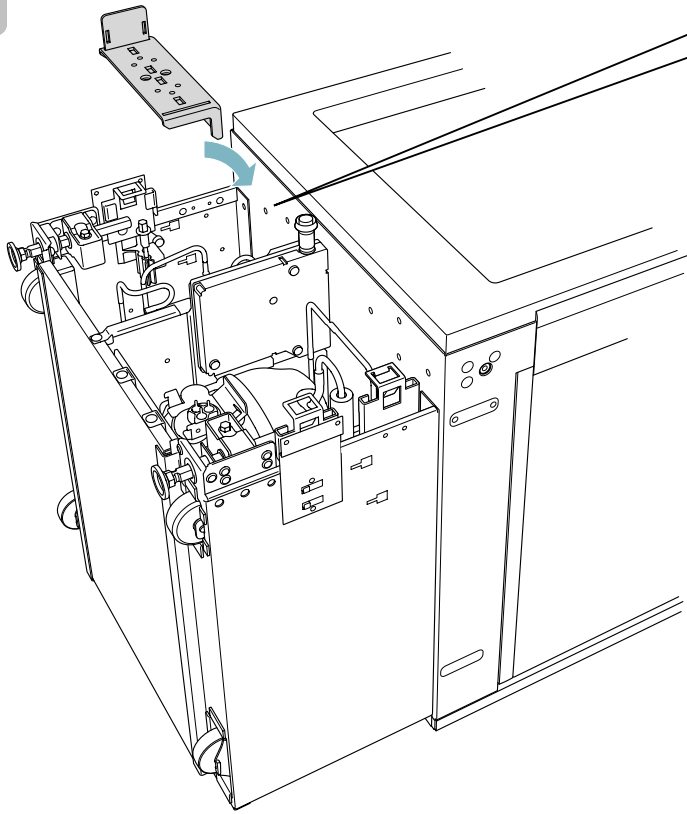


A

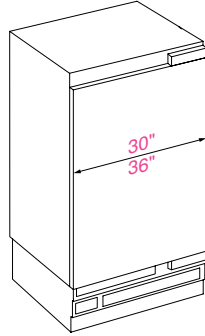
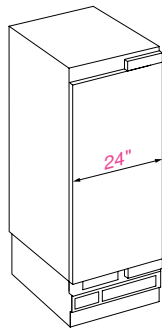
B

C

D



22 ←



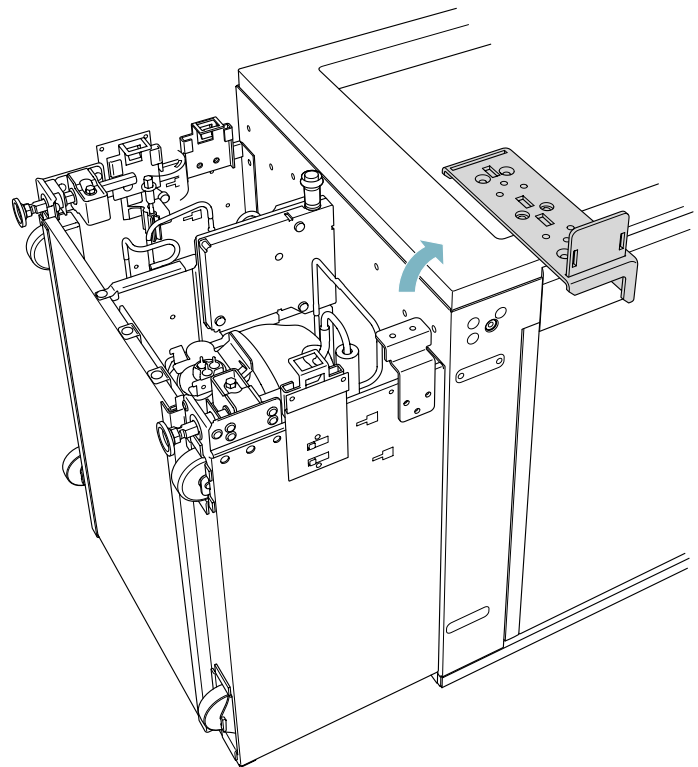
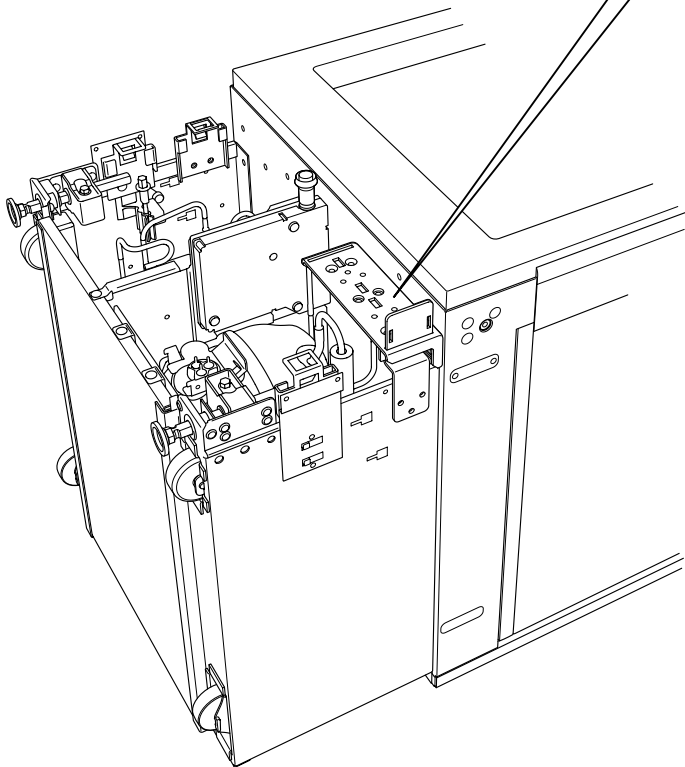
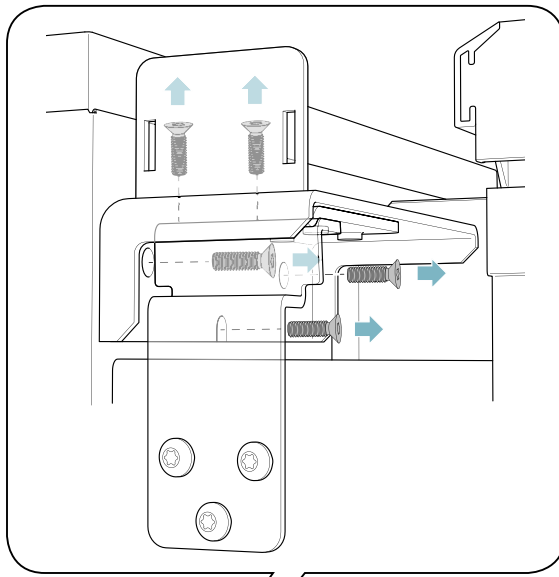
25

A

B

C

D

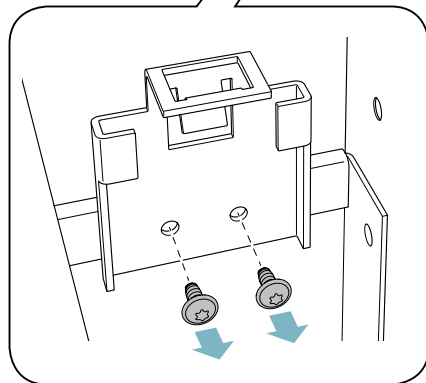
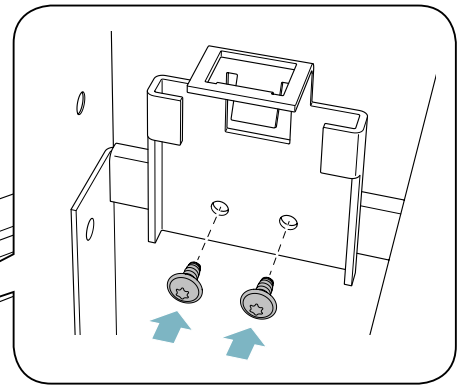
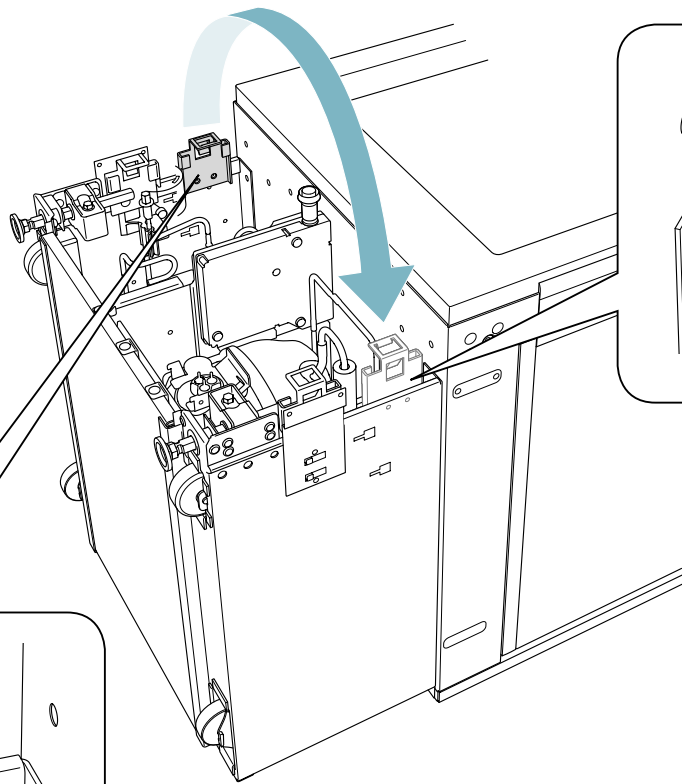
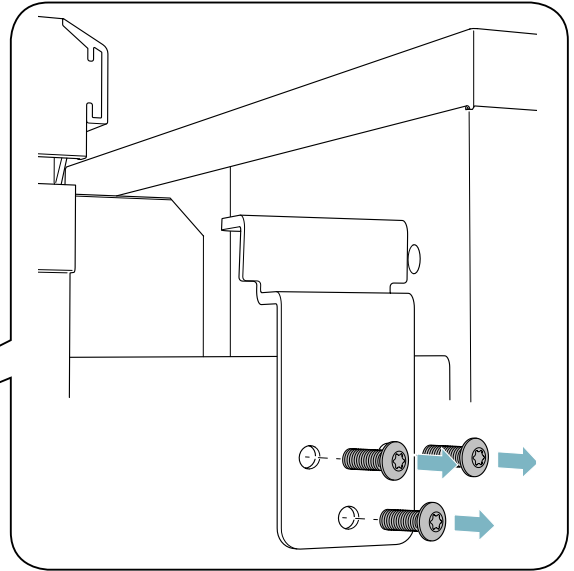
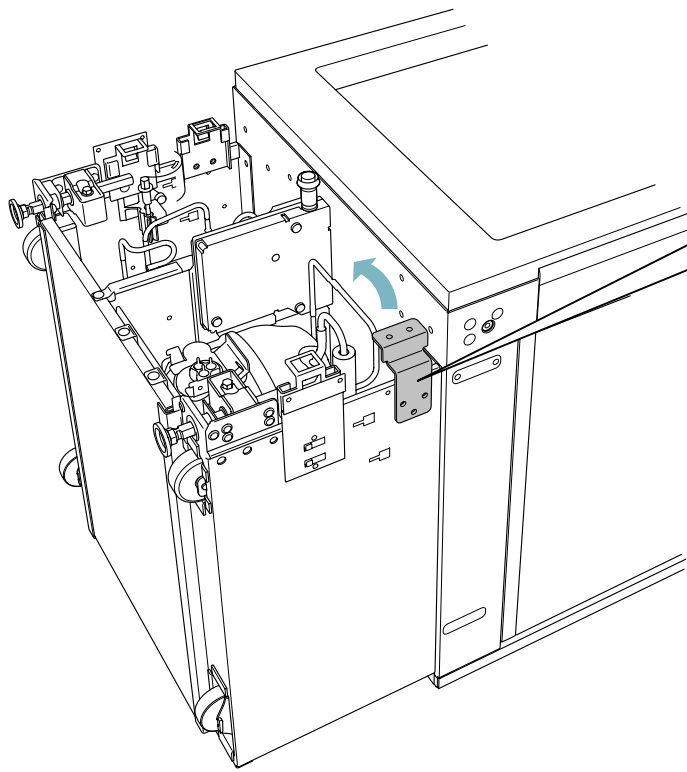


A

B

C

D

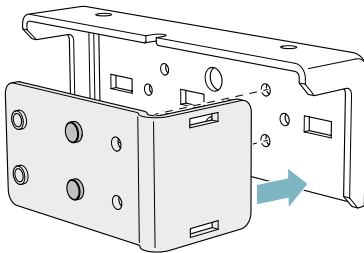
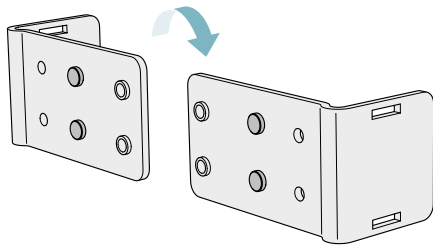
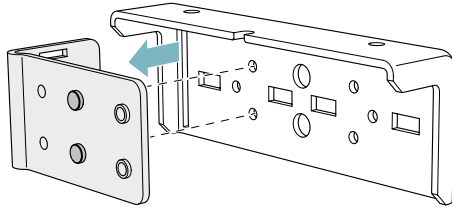
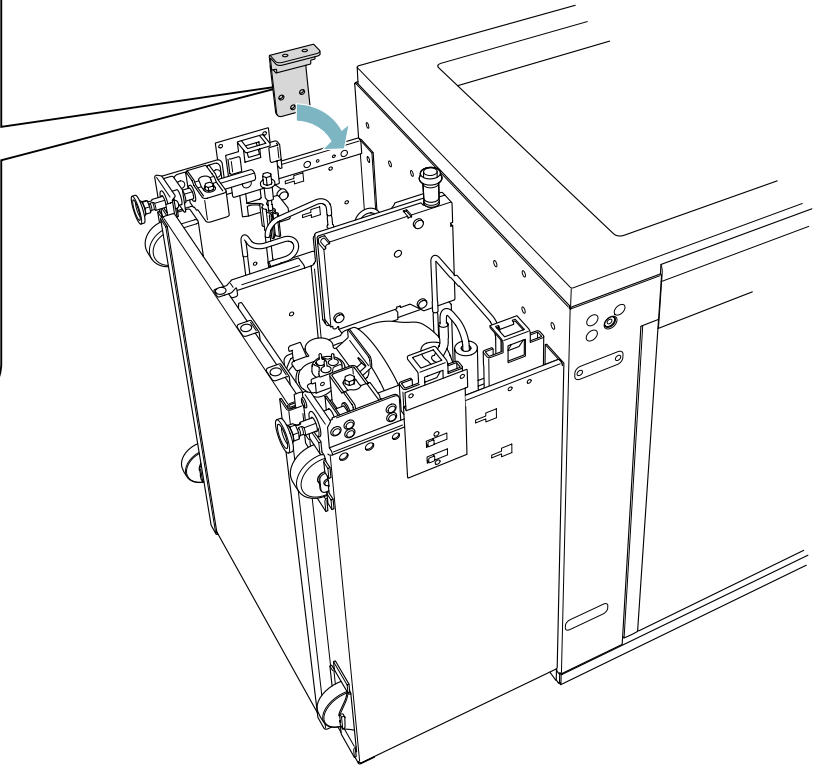
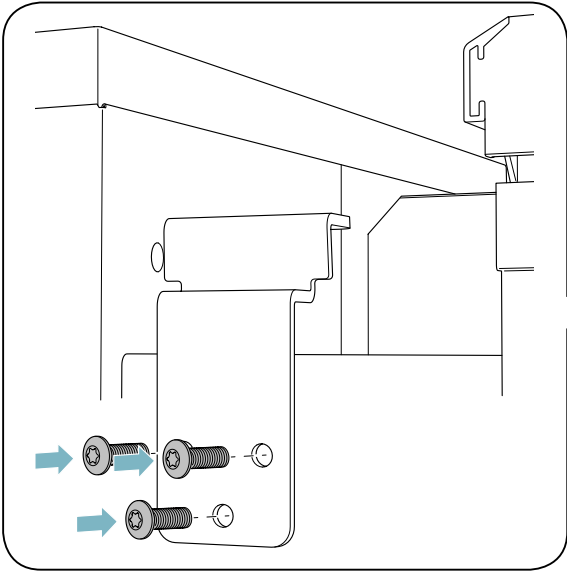


A

B

C

D

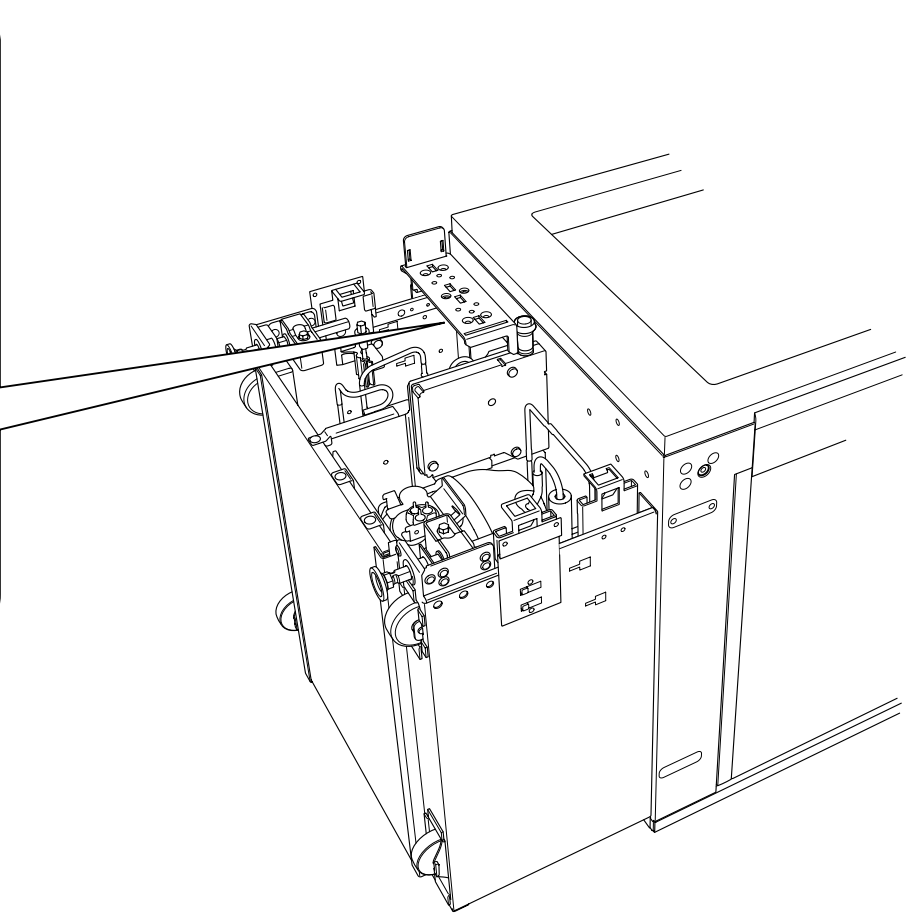
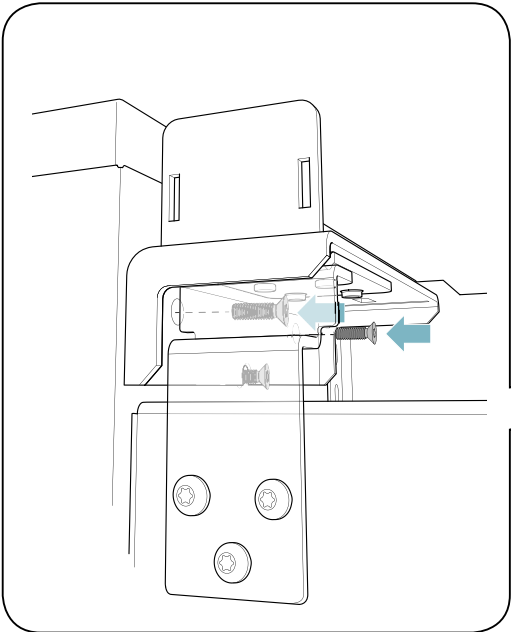
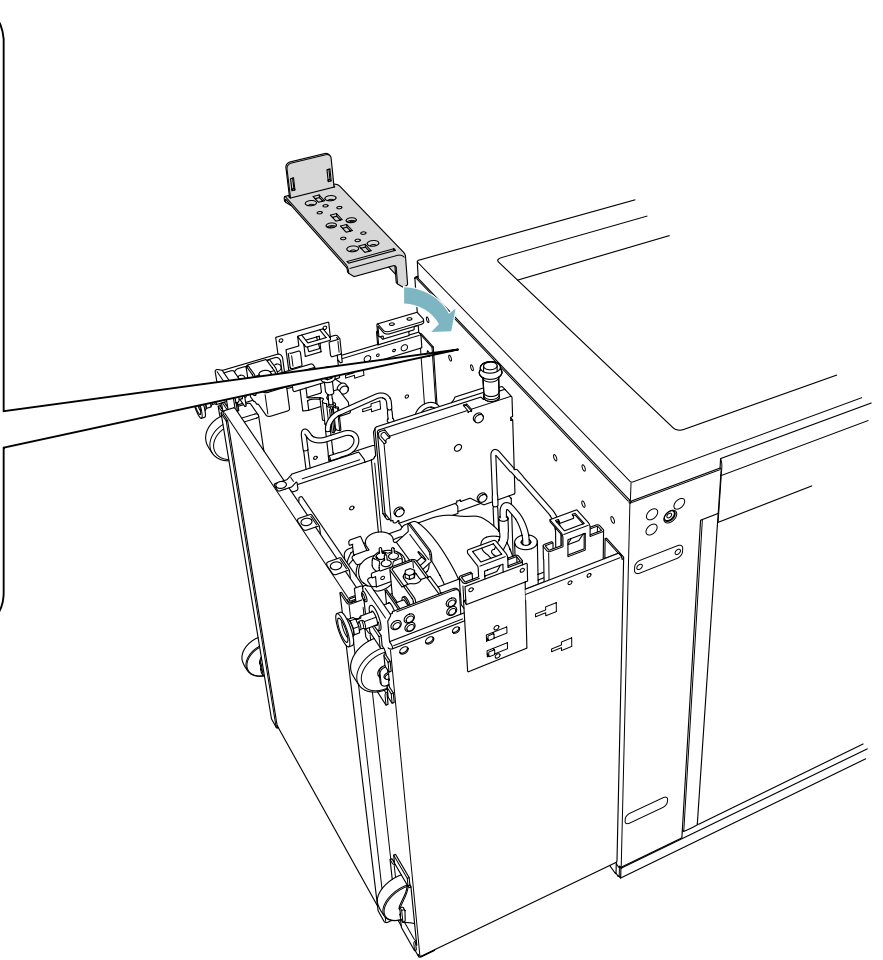
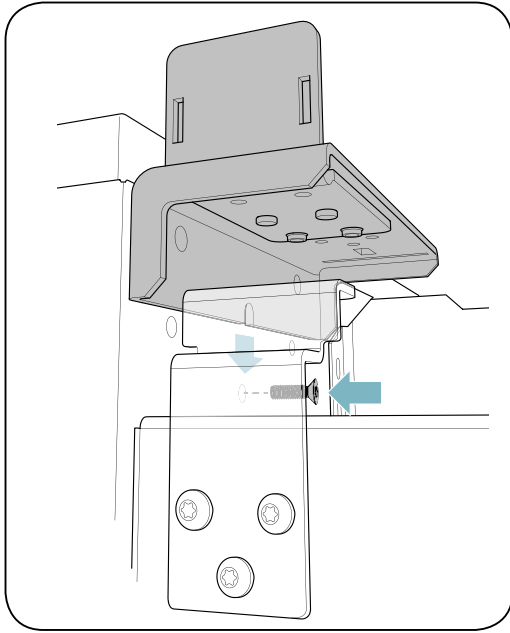


A

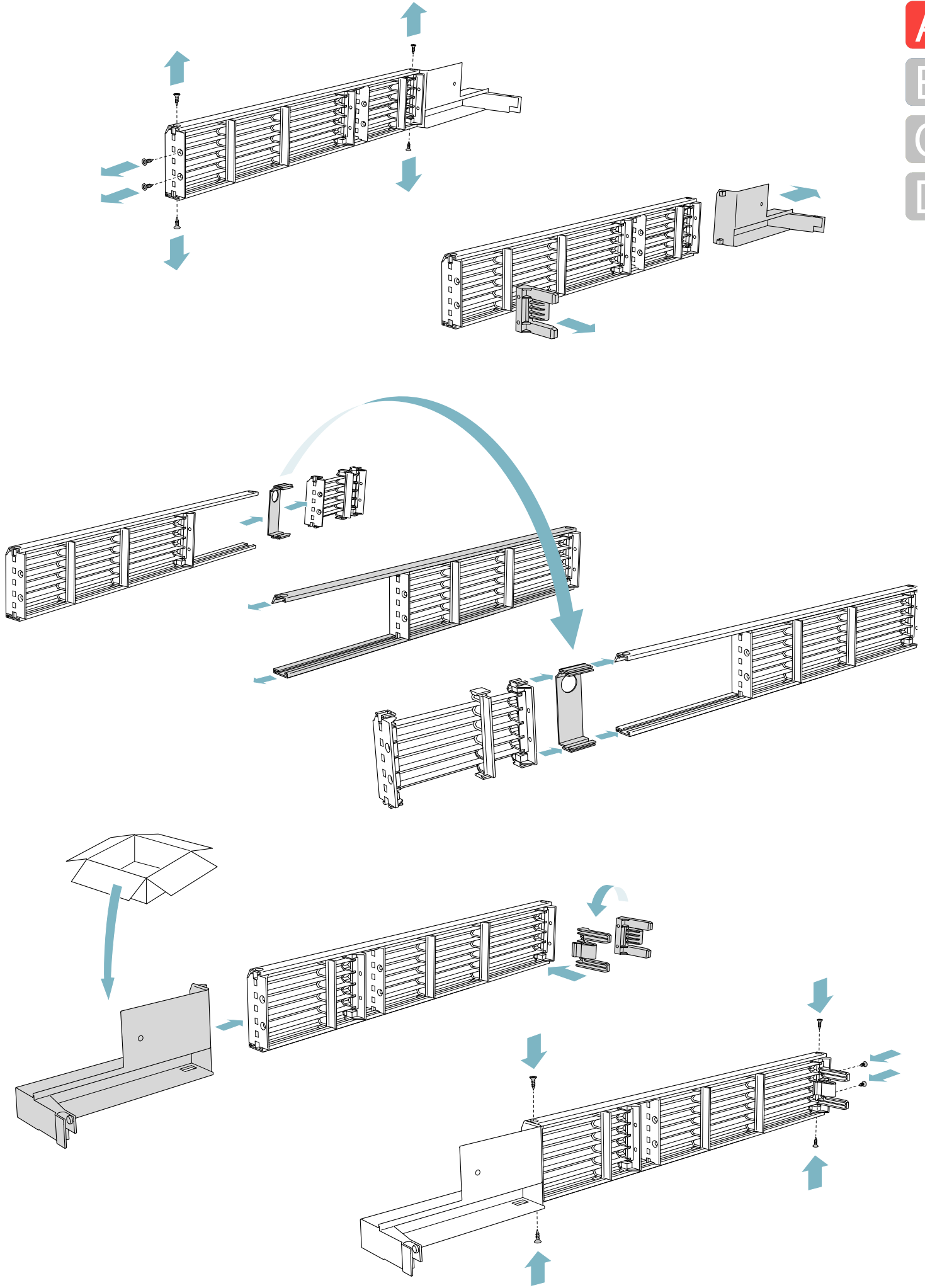
B

C

D



A
B
C
D

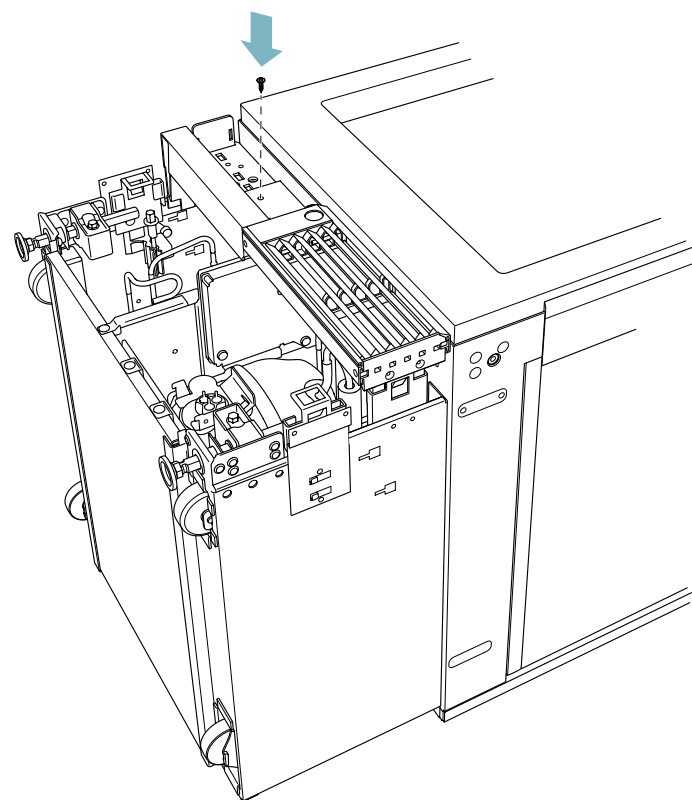
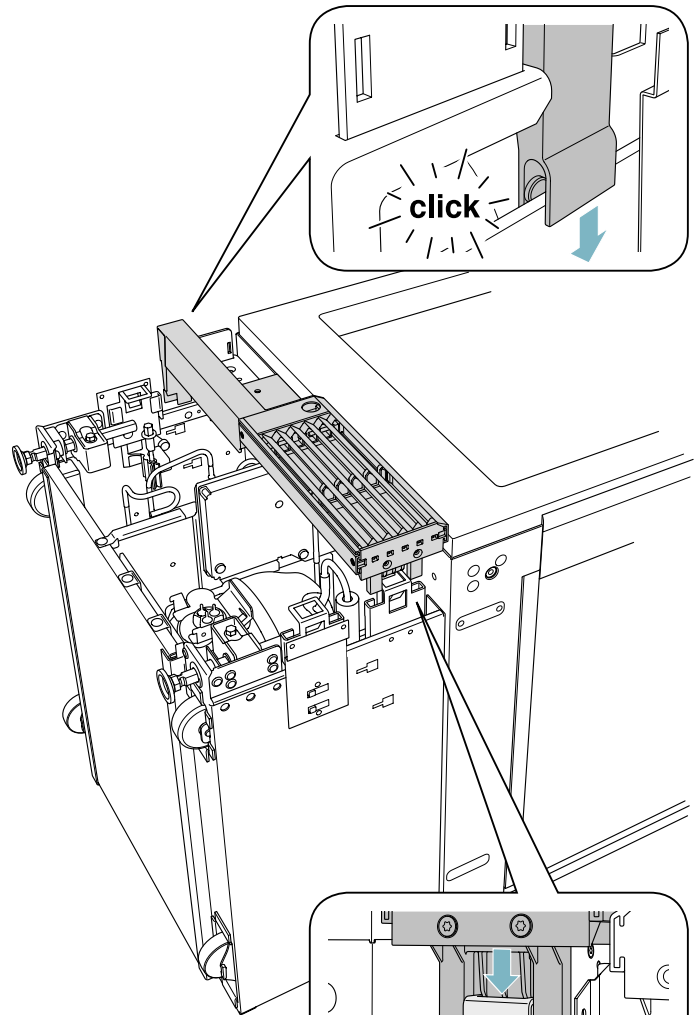
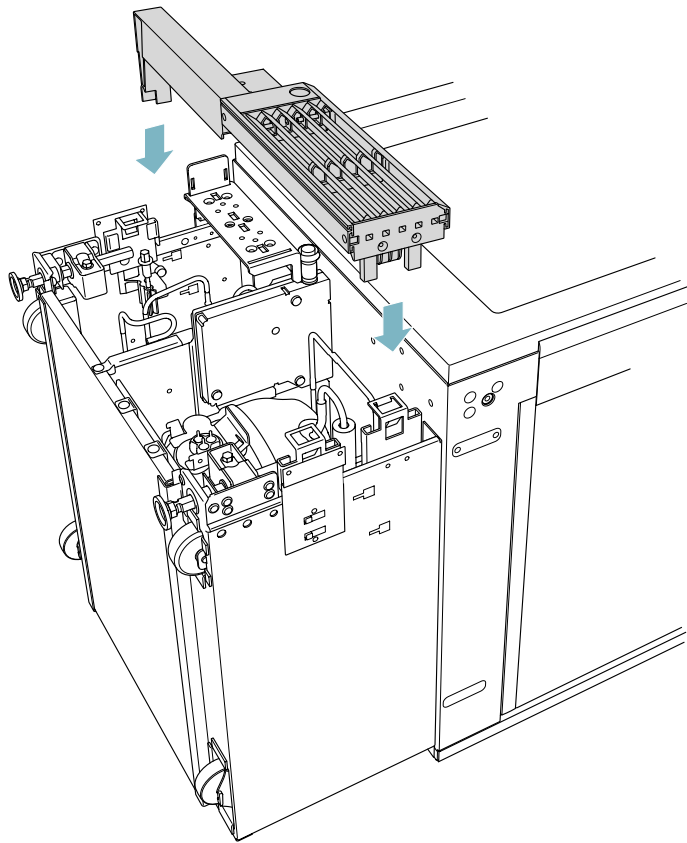


A

B

C

D

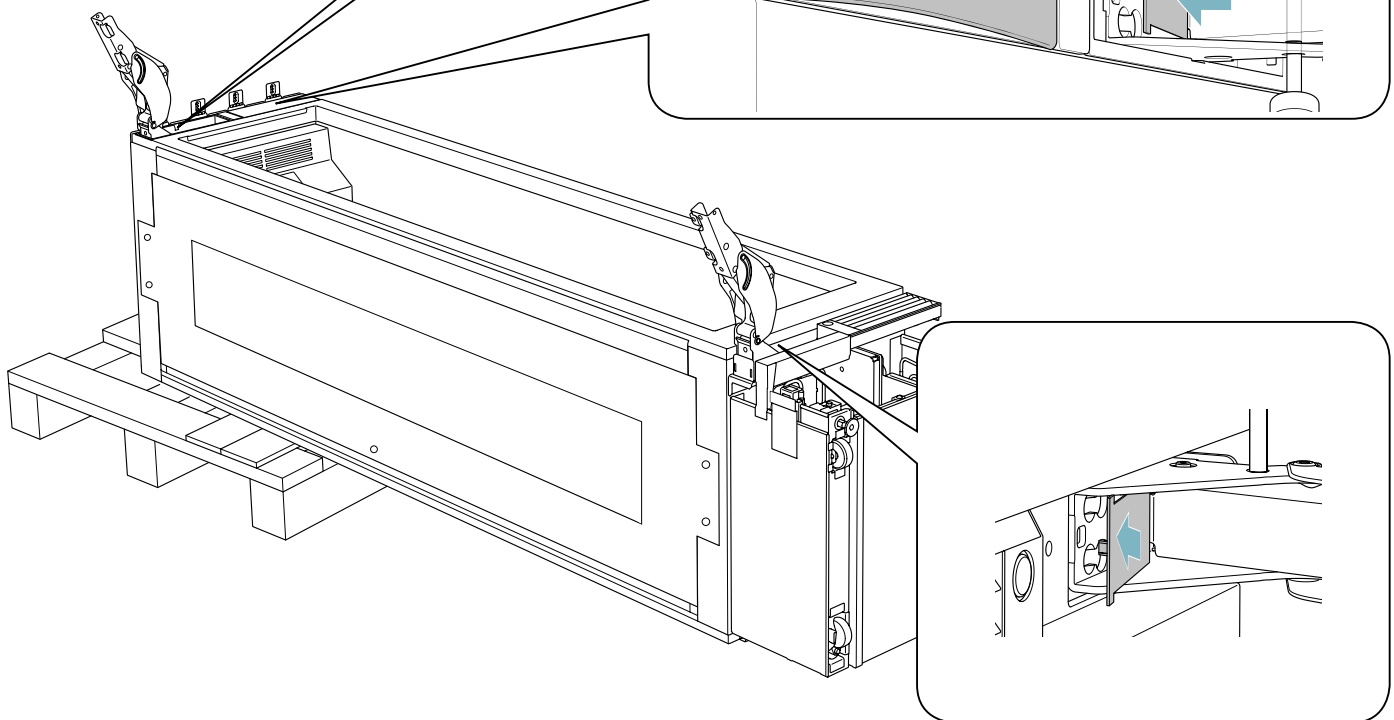
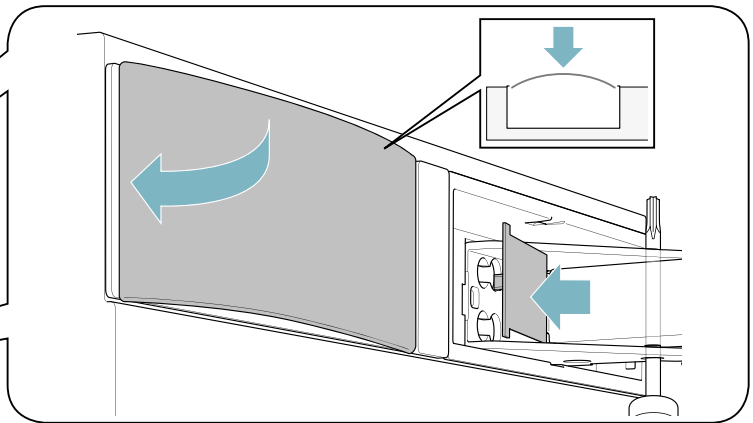
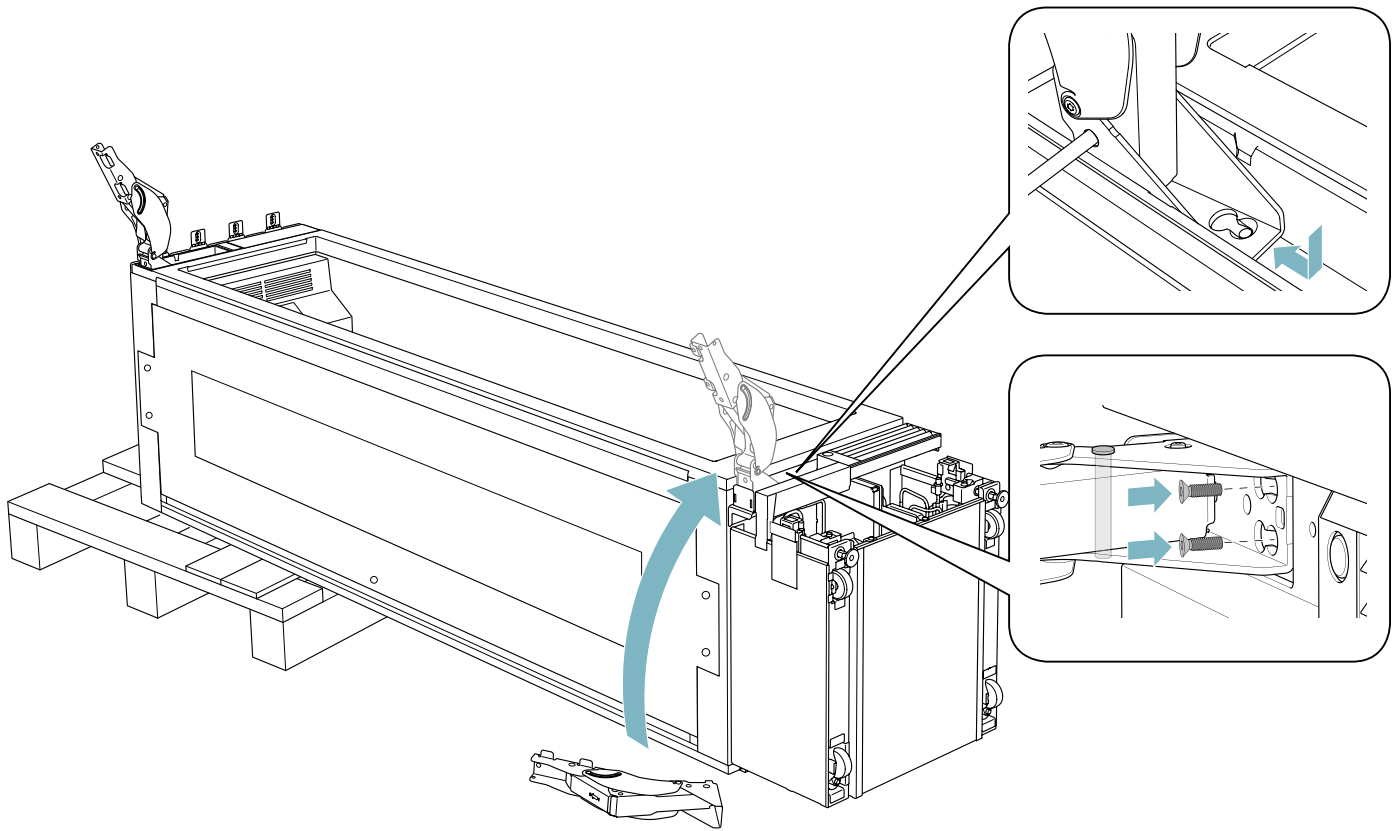


A

B

C

D

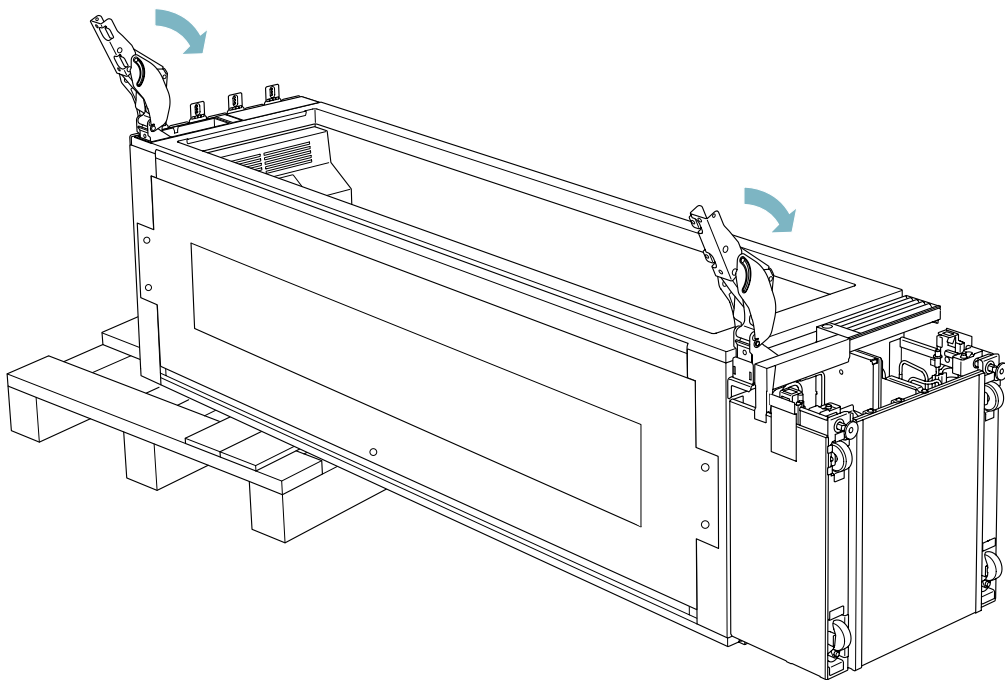
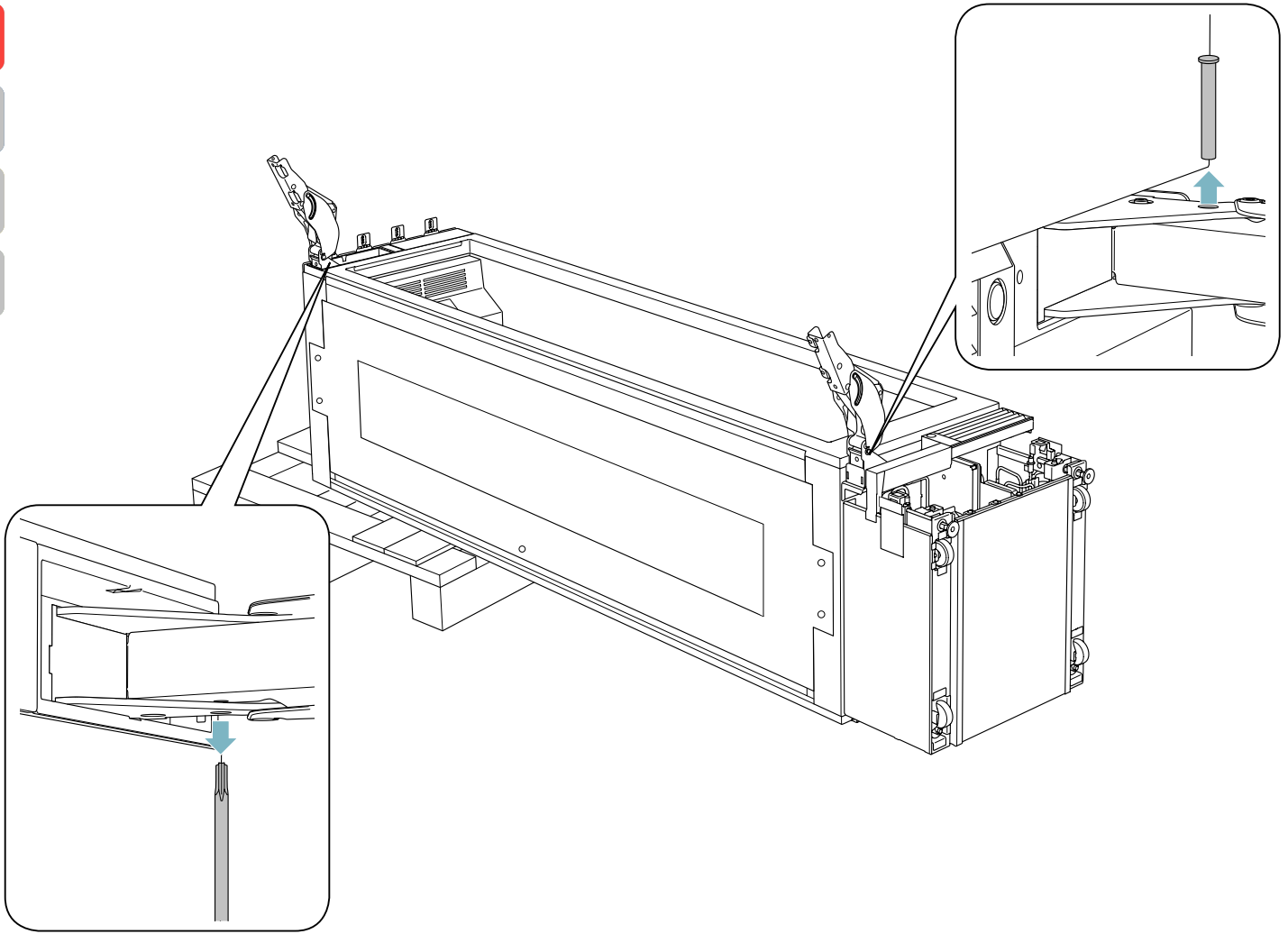


A

B

C

D

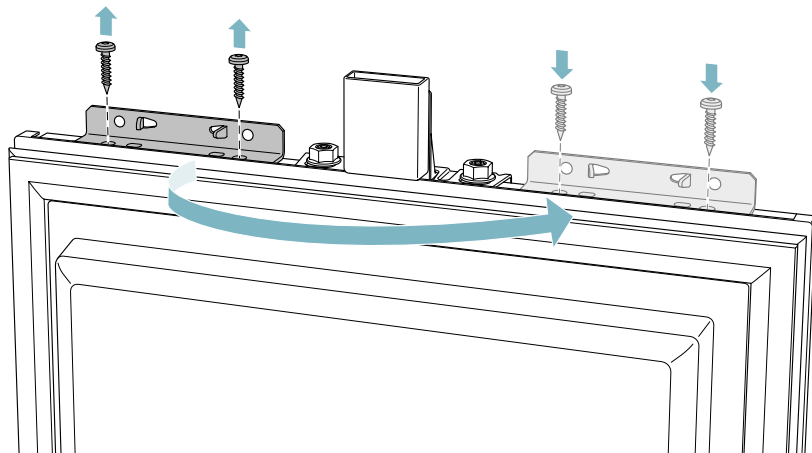
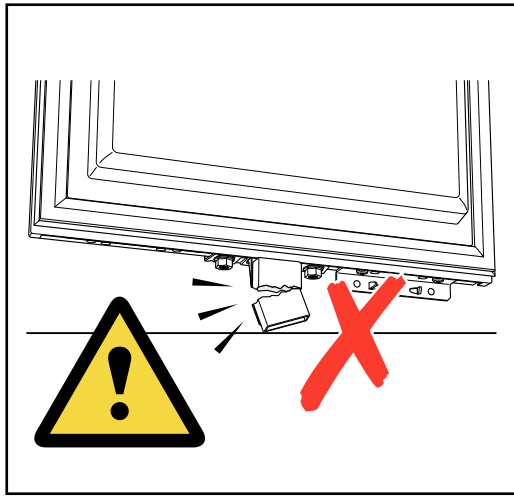
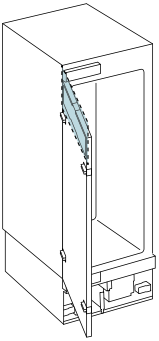
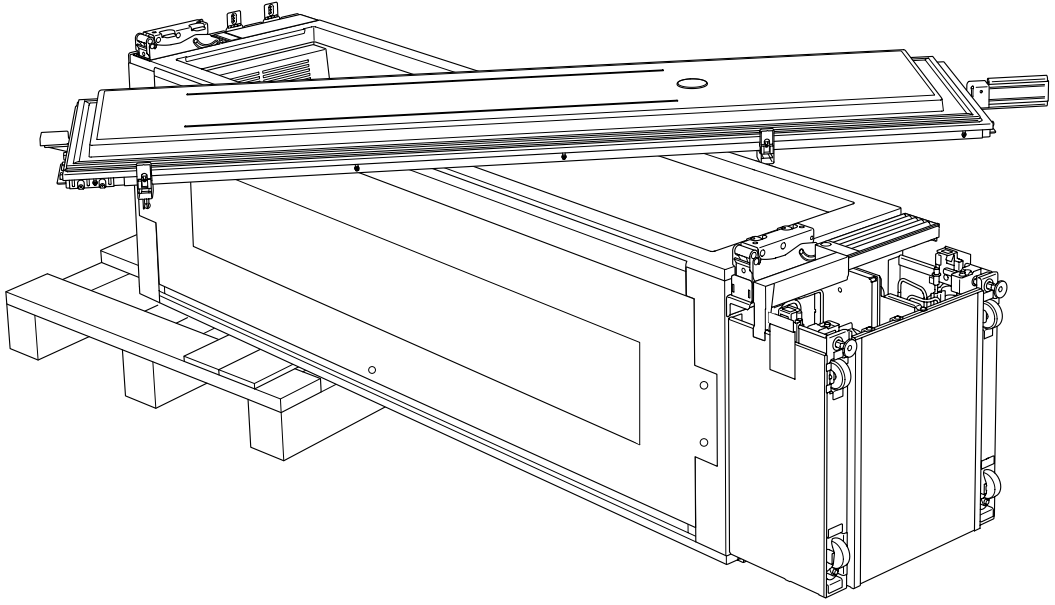


A

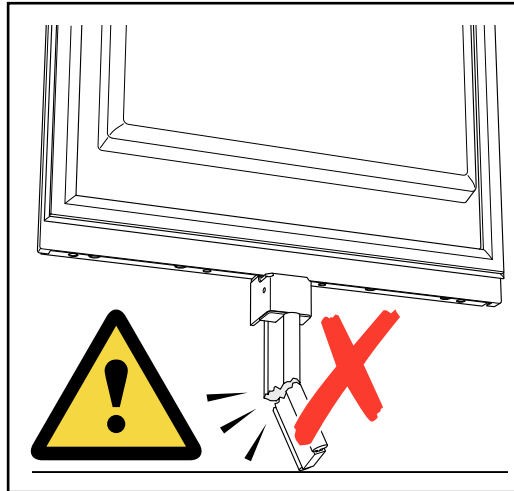
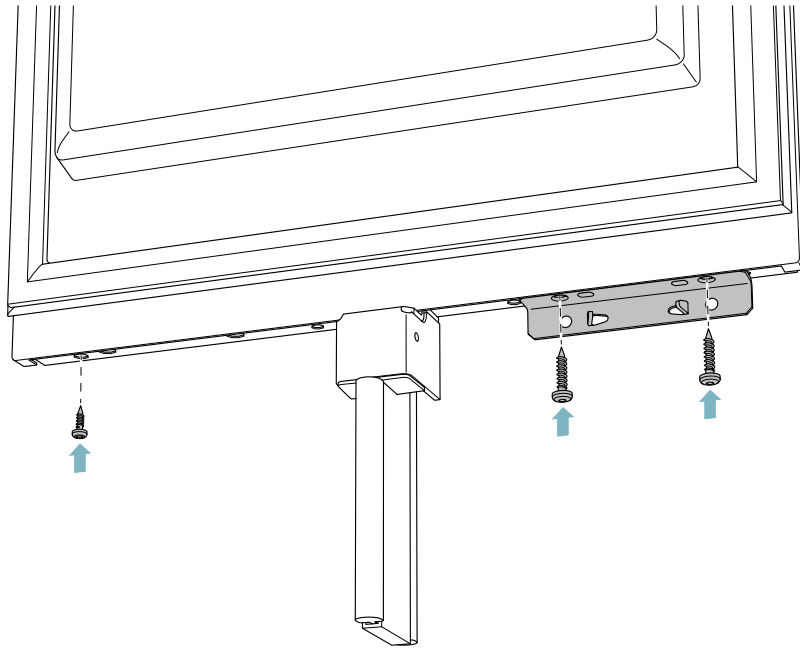
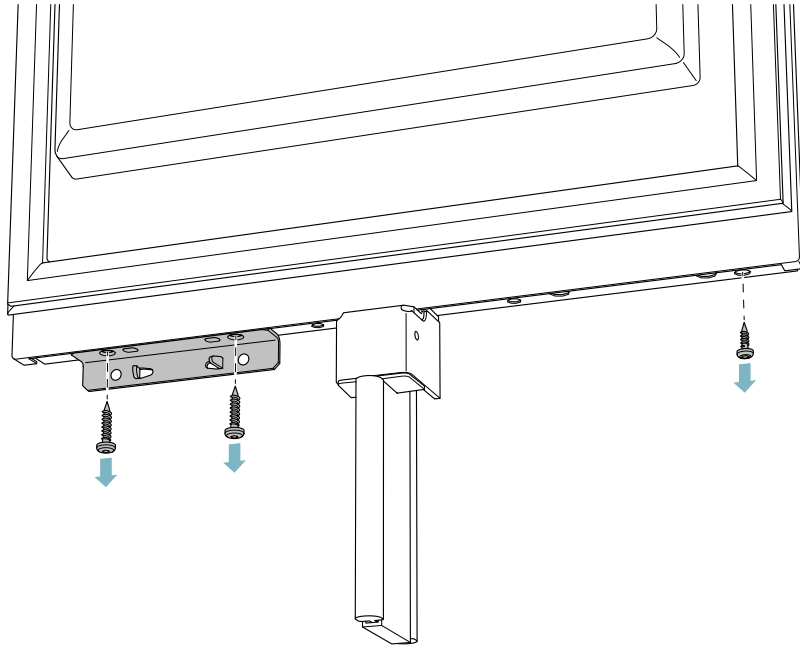
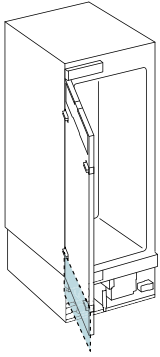
B

C

D



A
B
C
D

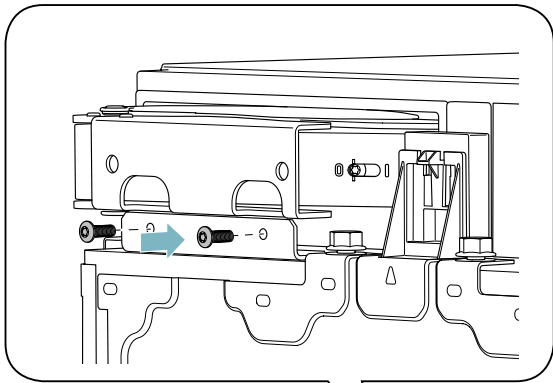
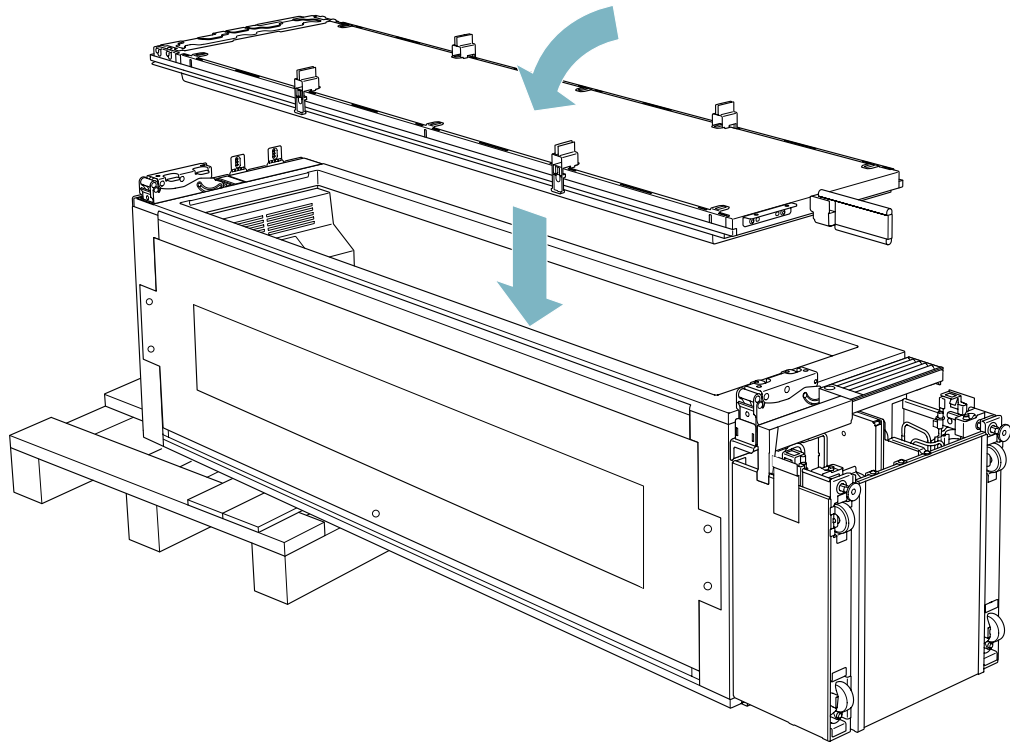


A

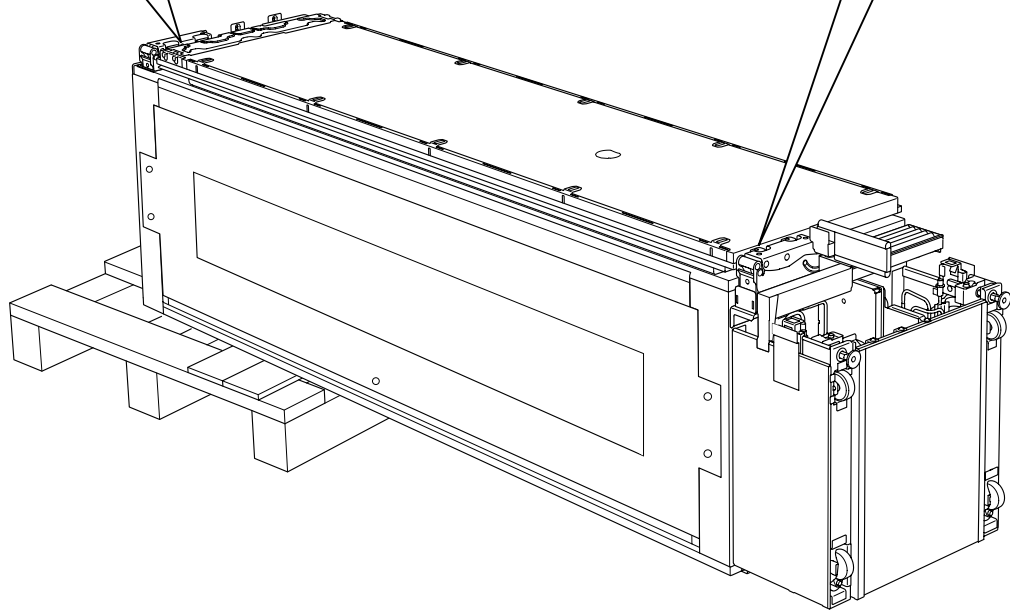
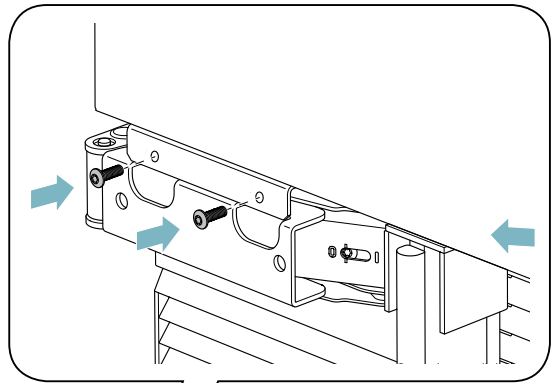
B

C

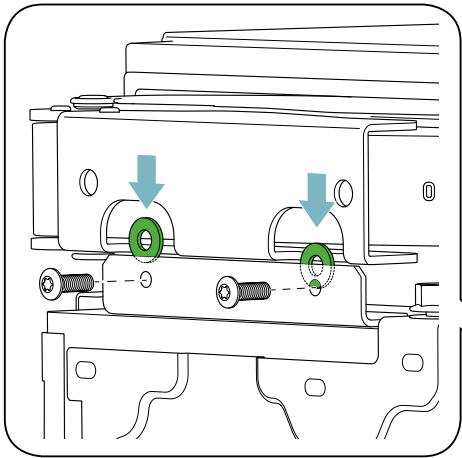
D




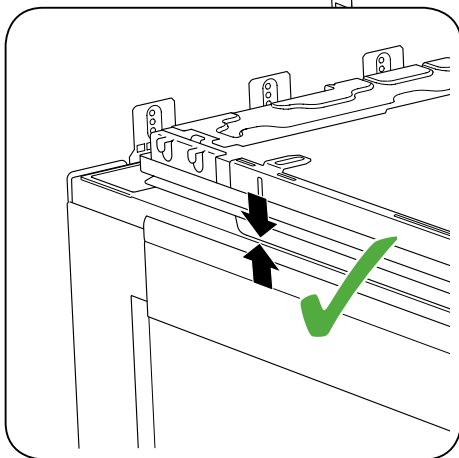
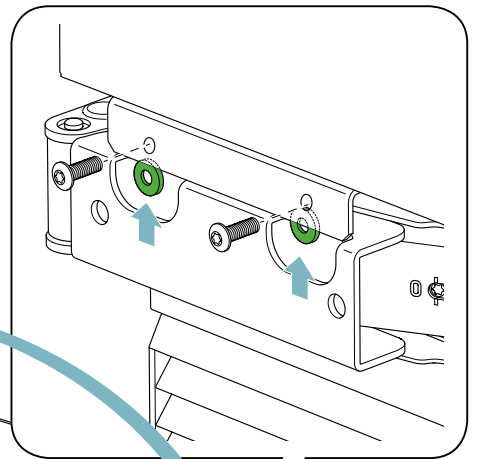
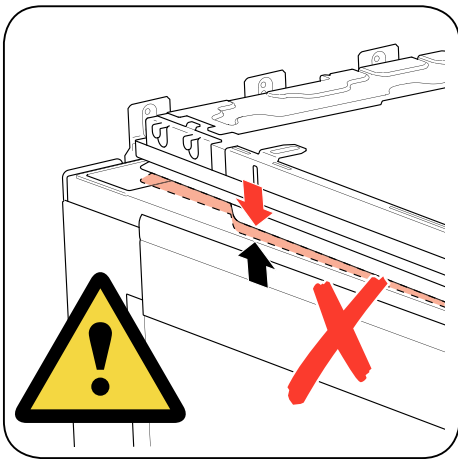
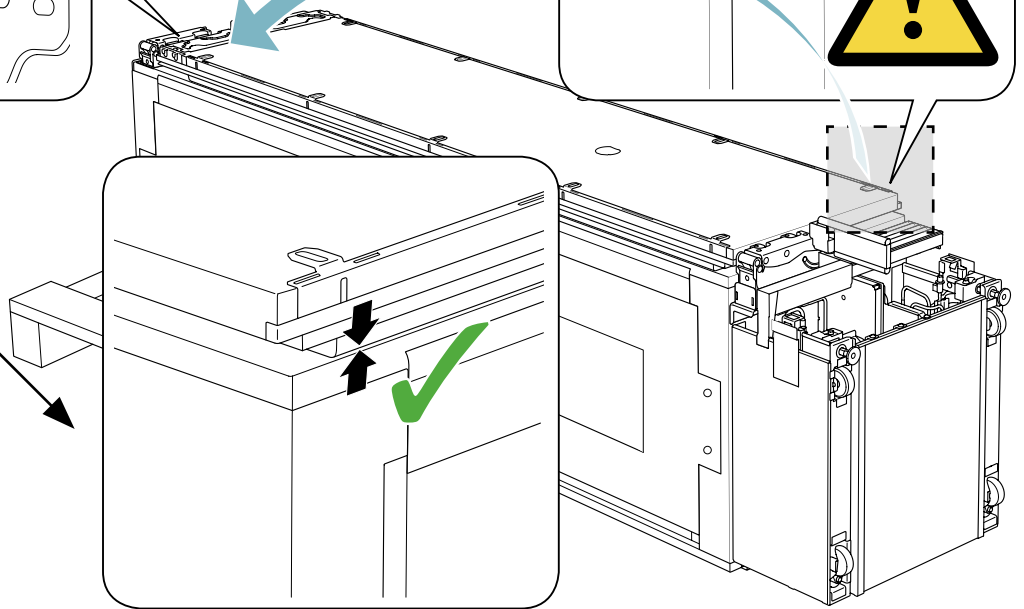
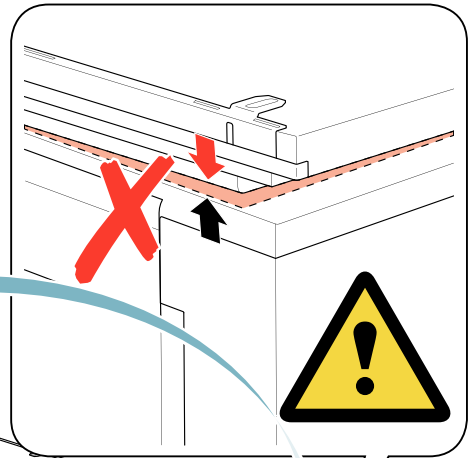
17



A
B
C
D



17 

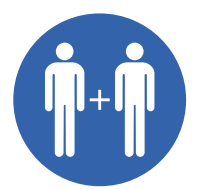
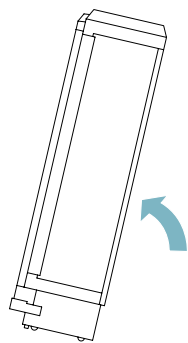
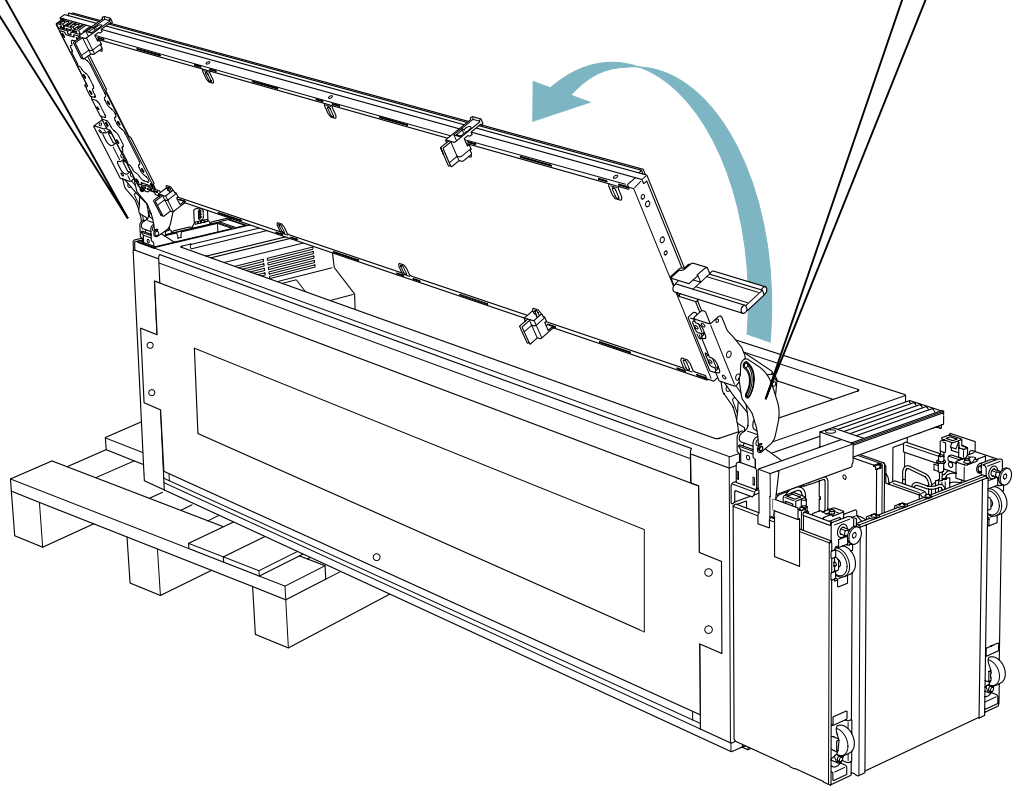
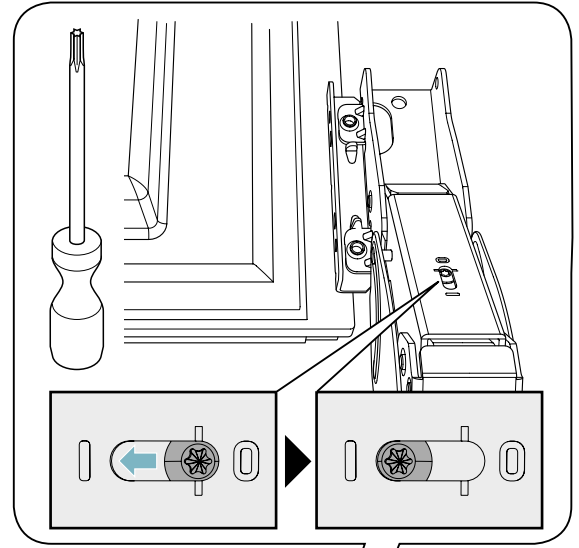
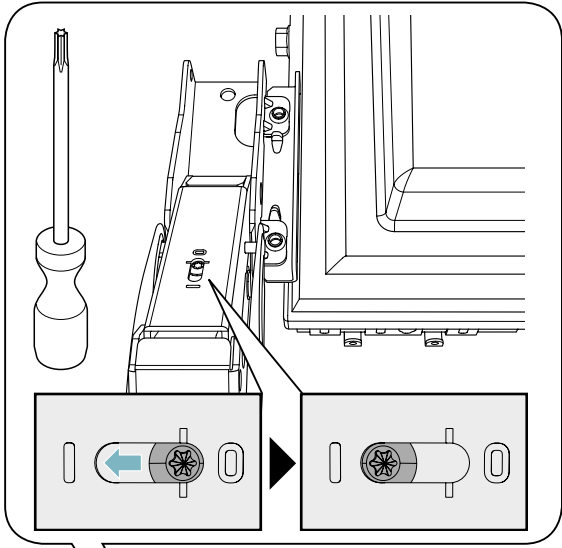


A

B

C

D

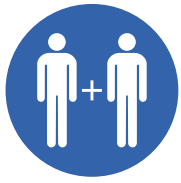


A

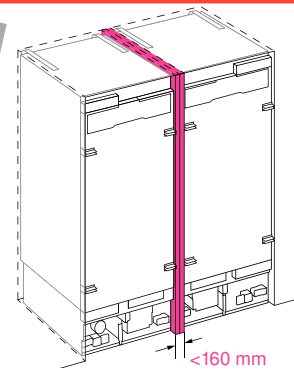
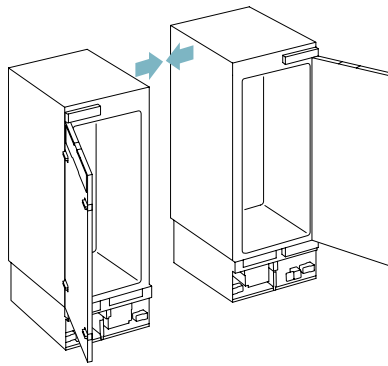
B

C

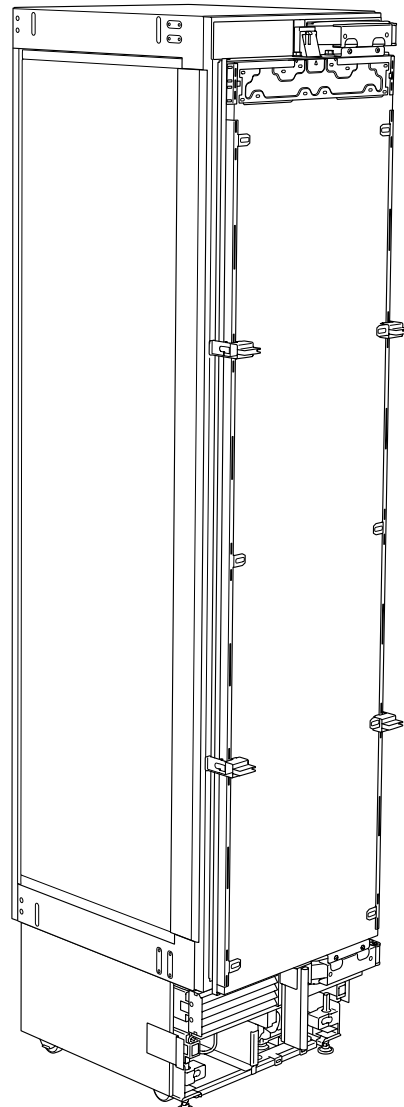
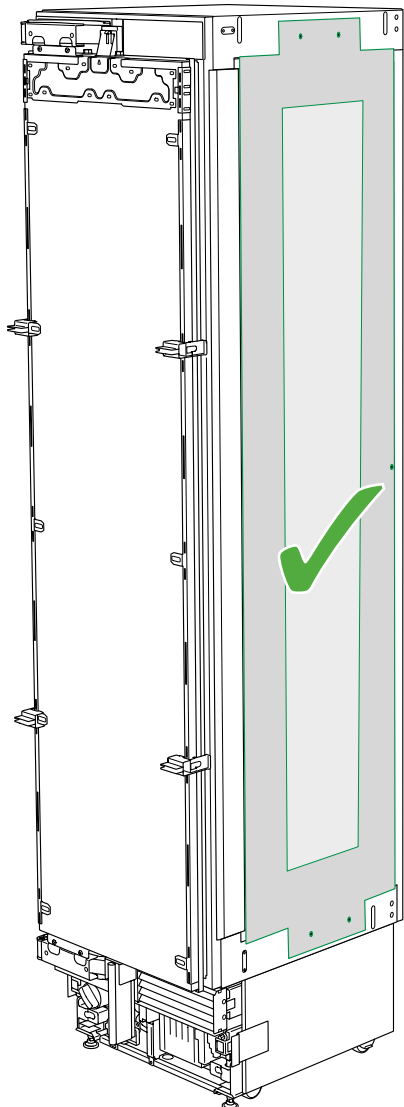
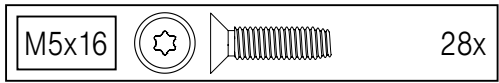
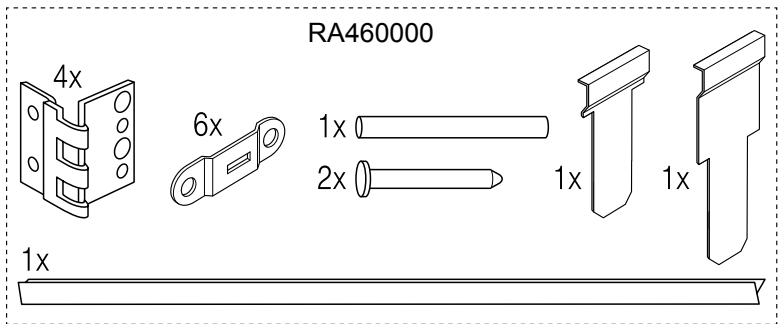
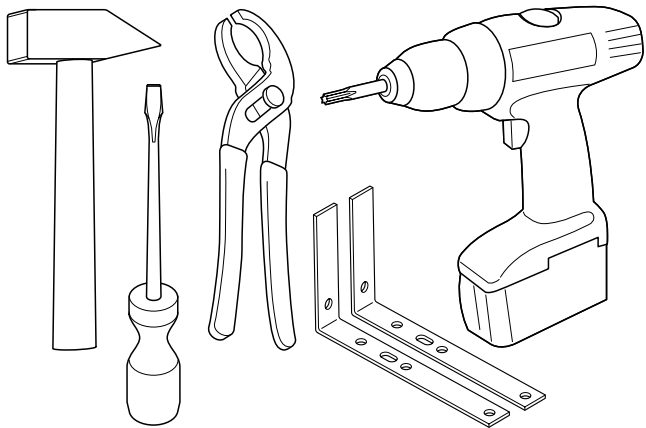
D



38



→44



M5x16



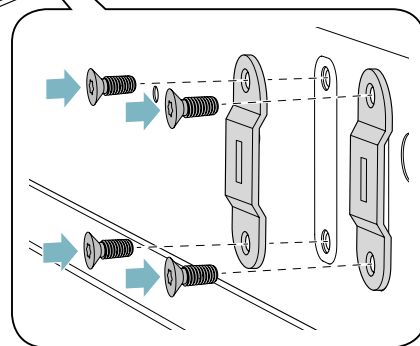
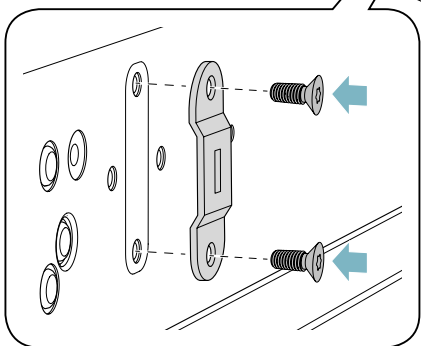
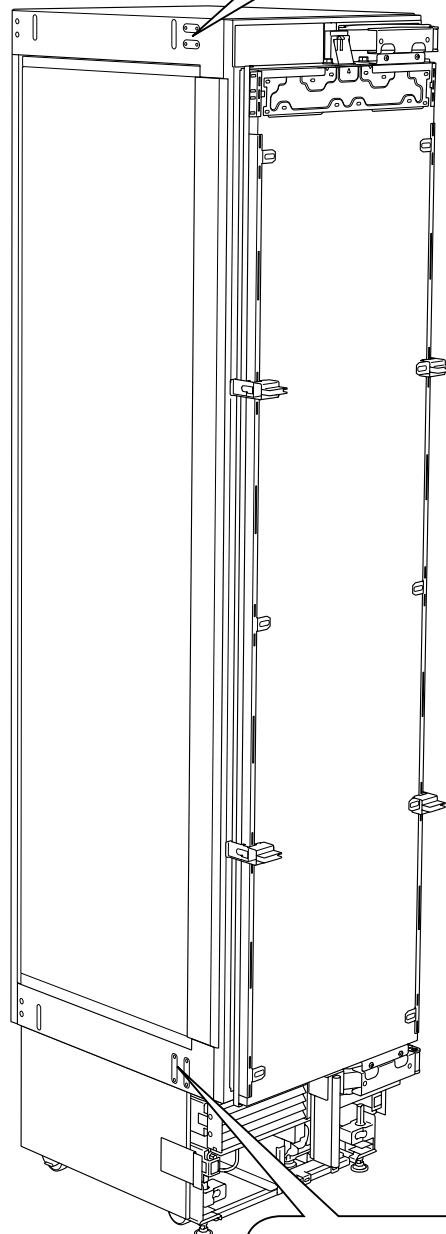
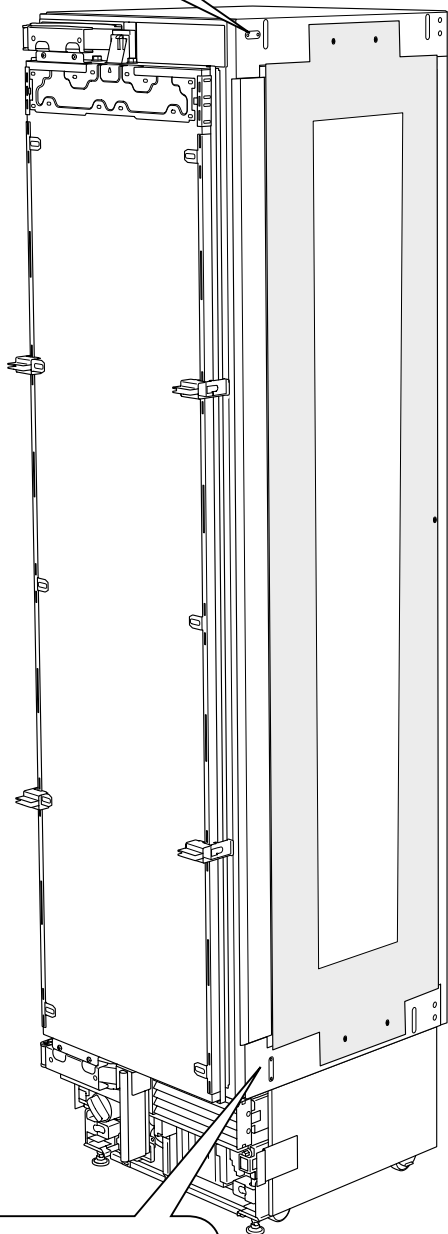
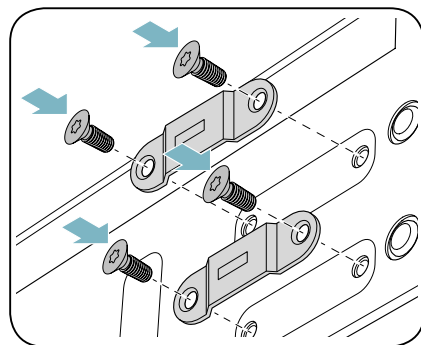
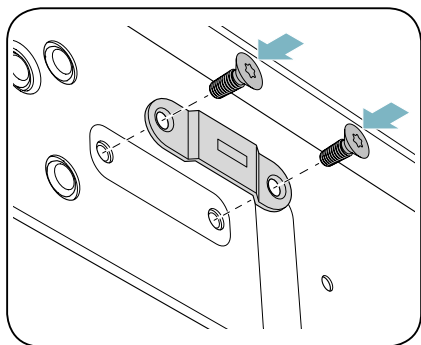
12x

A

B

C

D





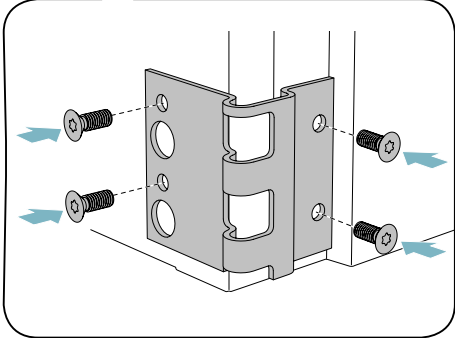
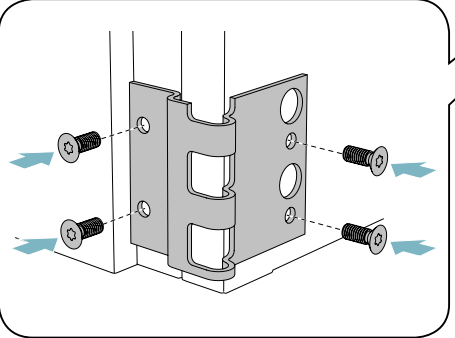
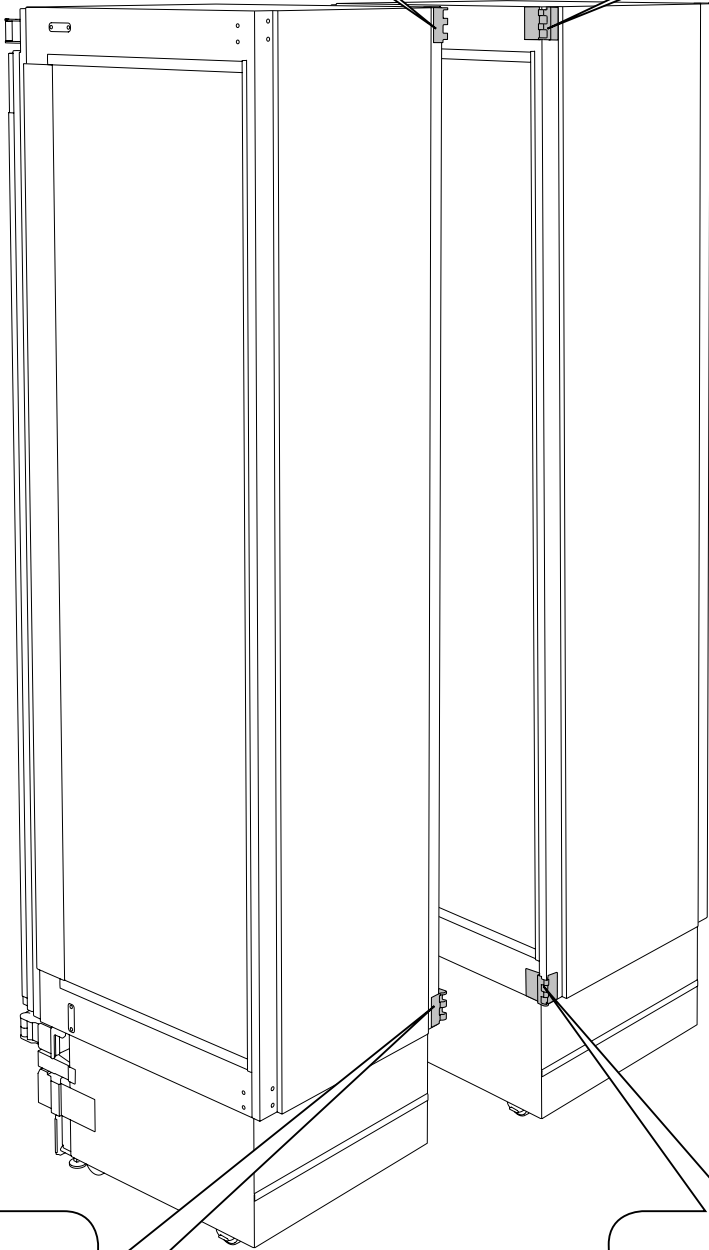
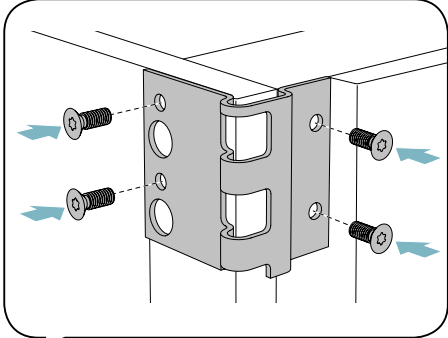
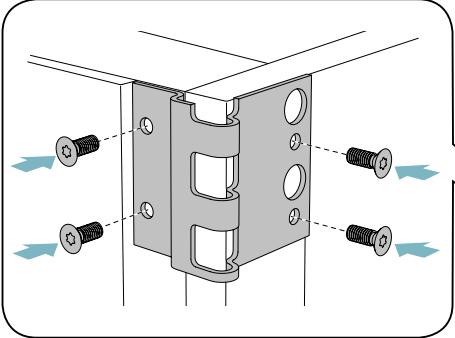
A

B

C

D

M5x16   16x

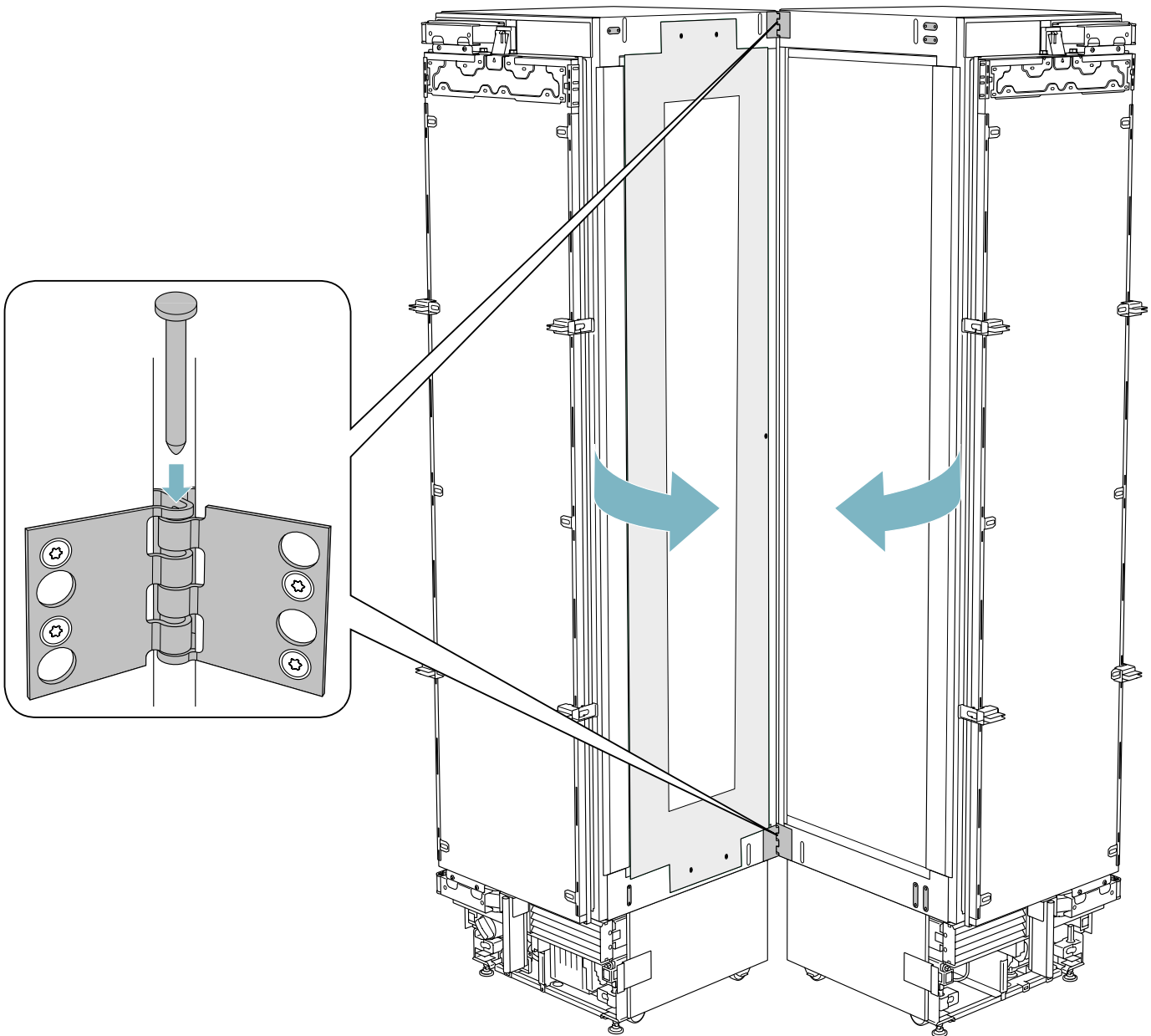


A

B

C

D

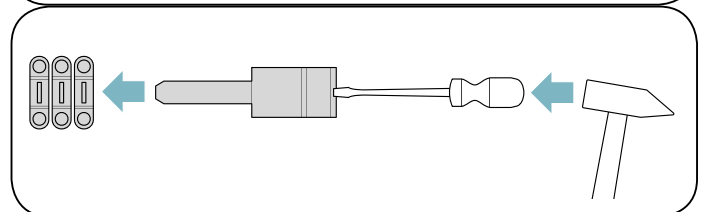
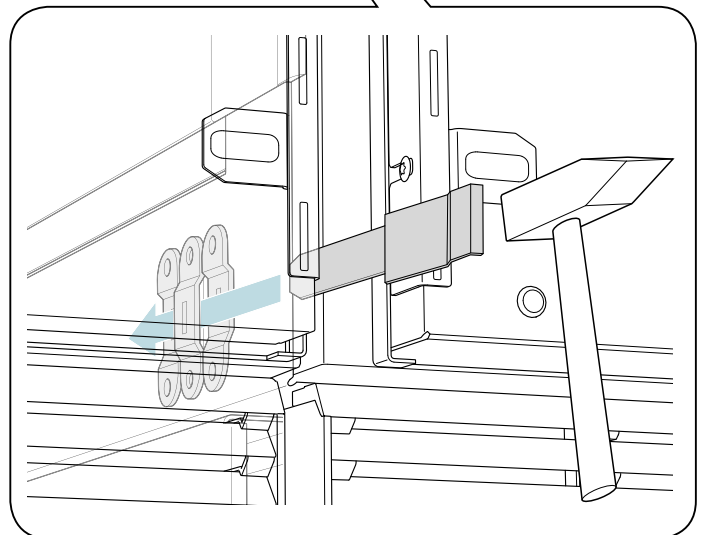
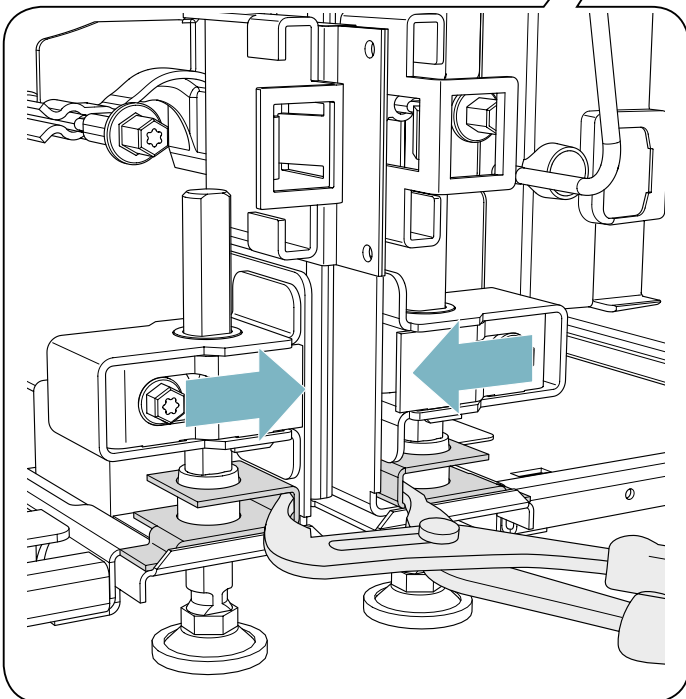
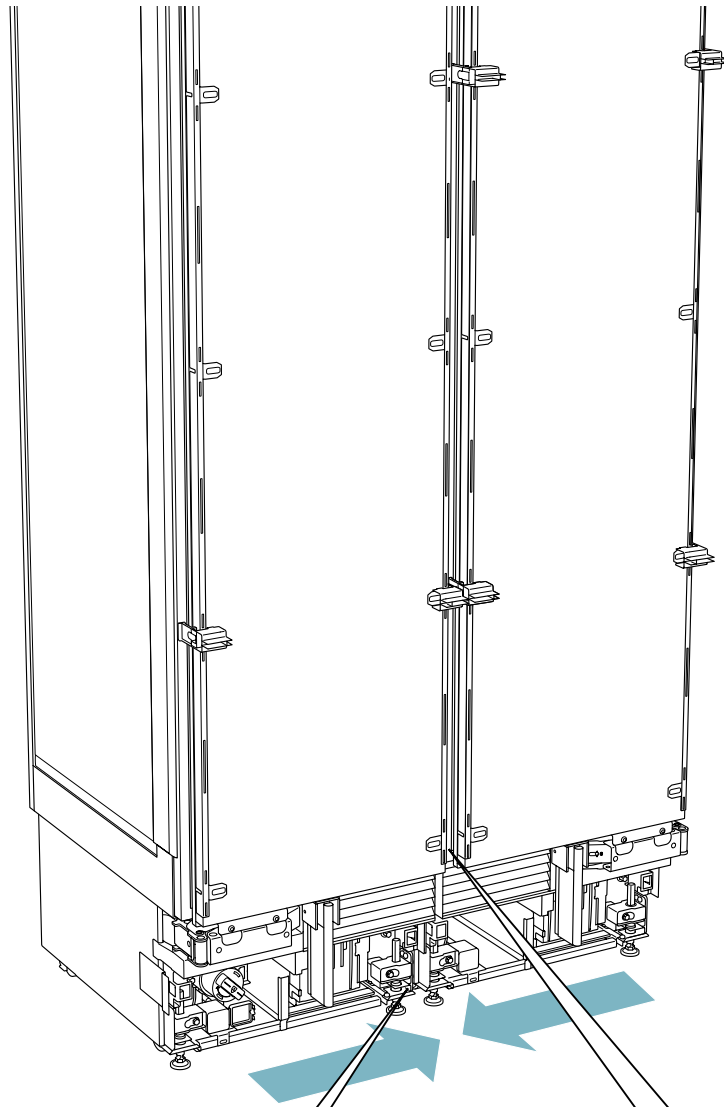
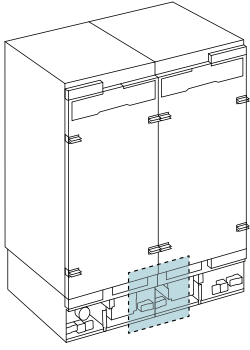


A

B

C

D

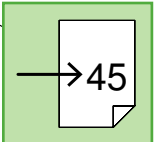
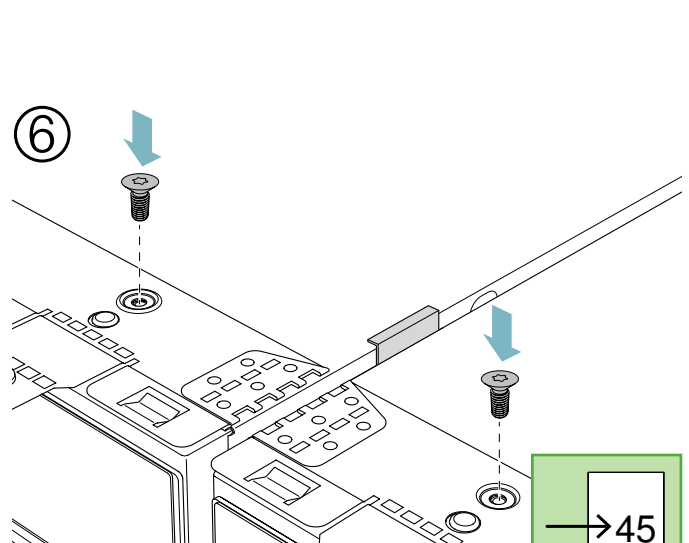
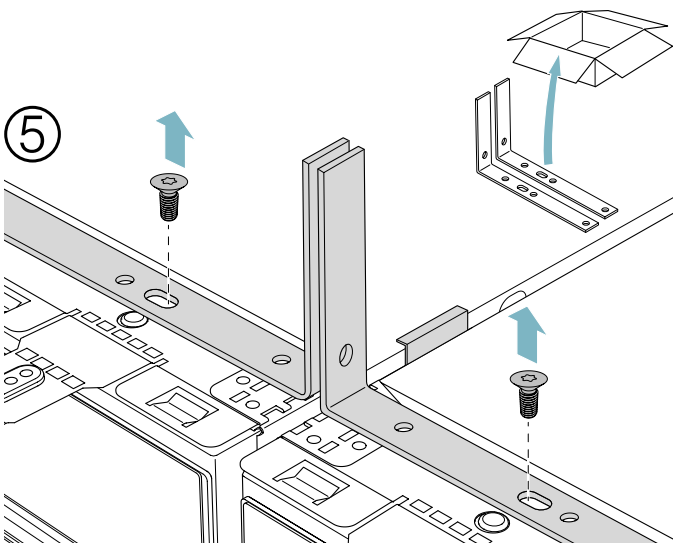
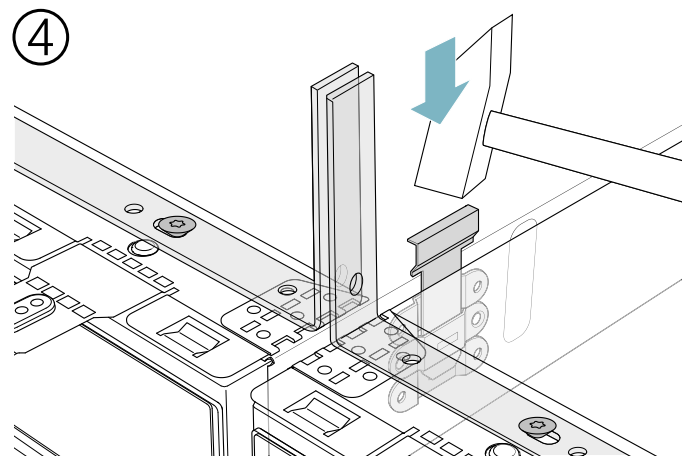
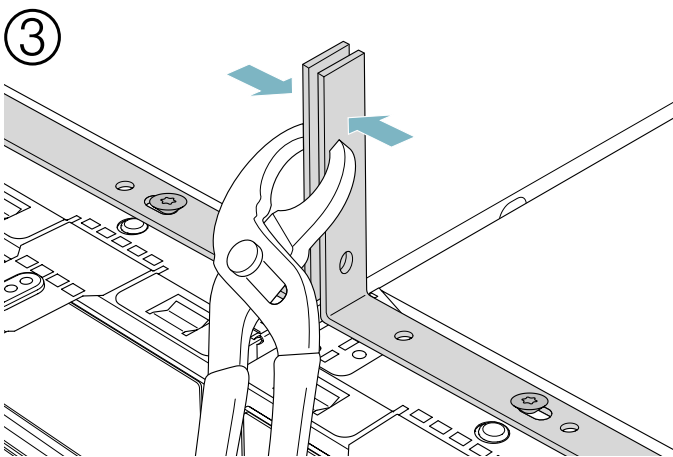
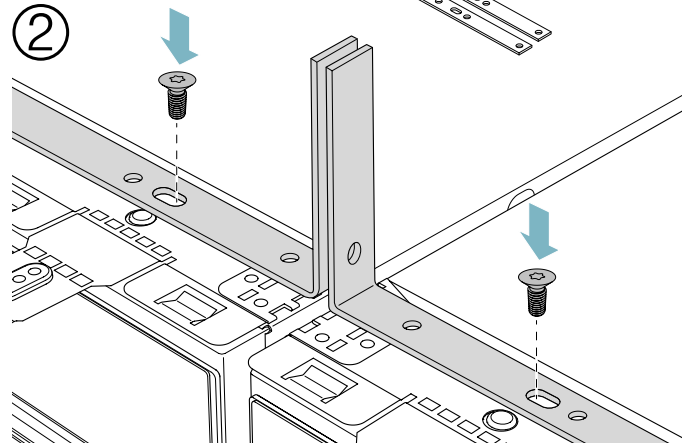
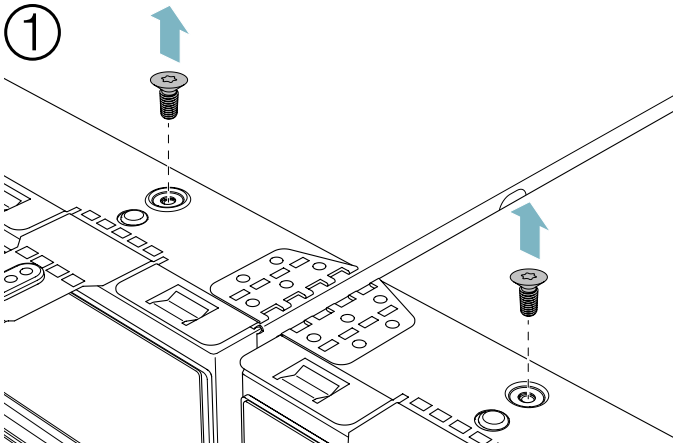
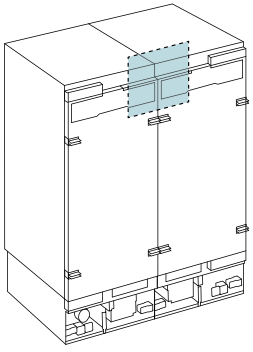


A

B

C

D

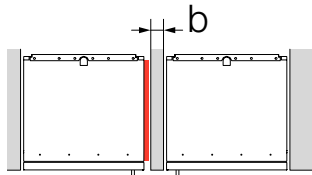
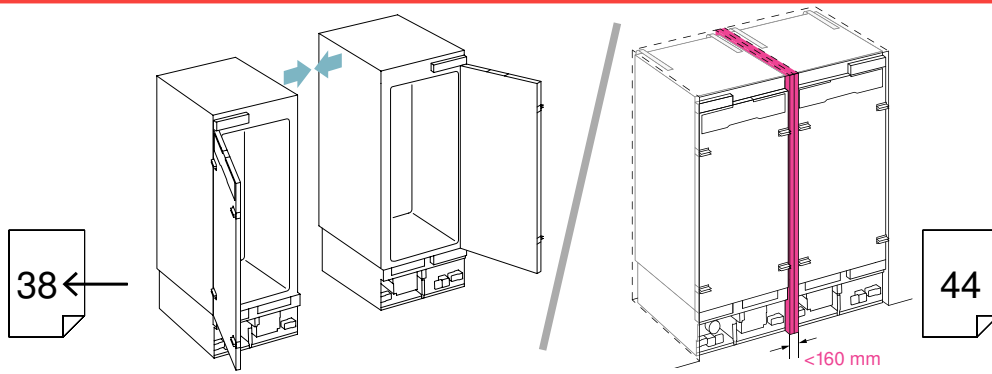


A

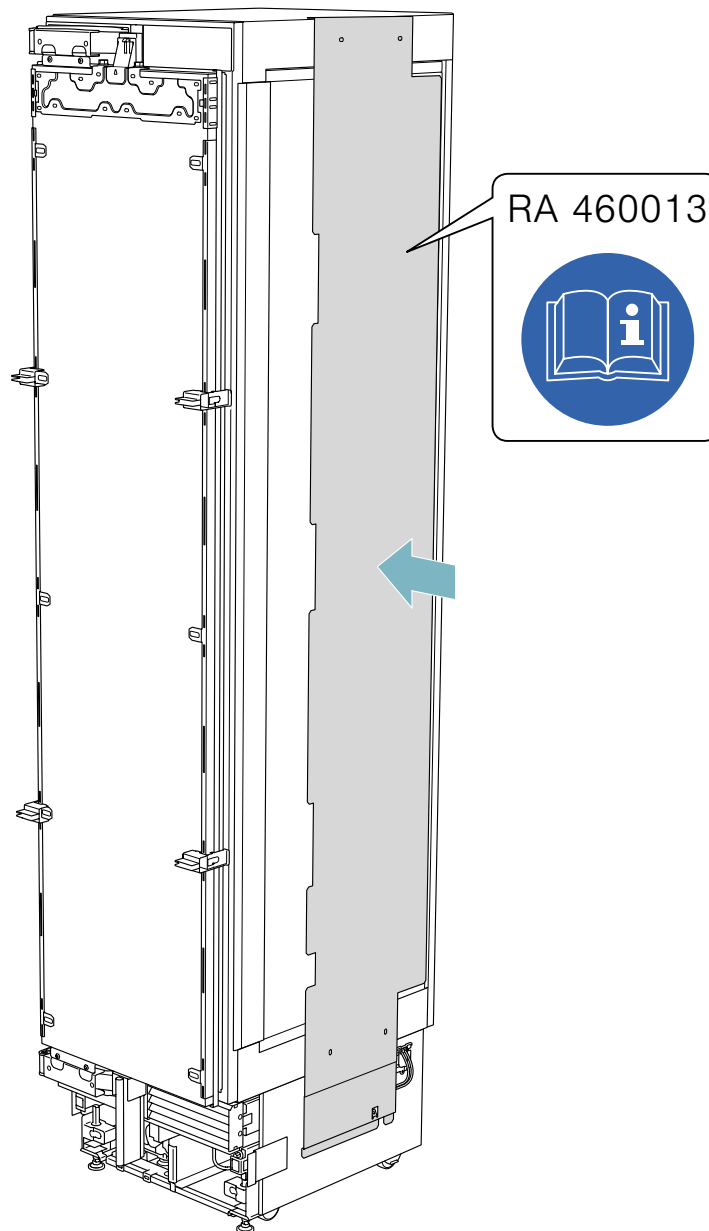
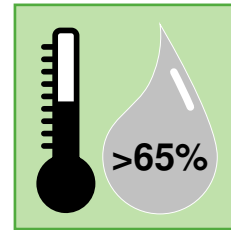
B

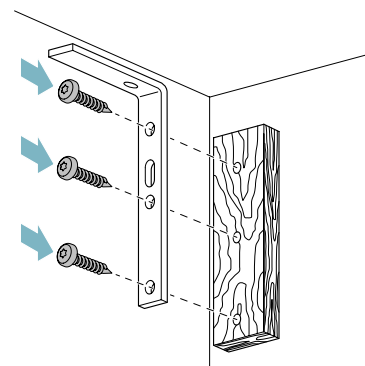
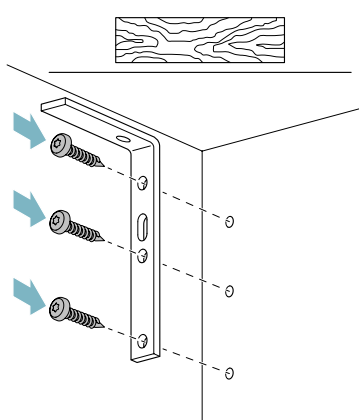
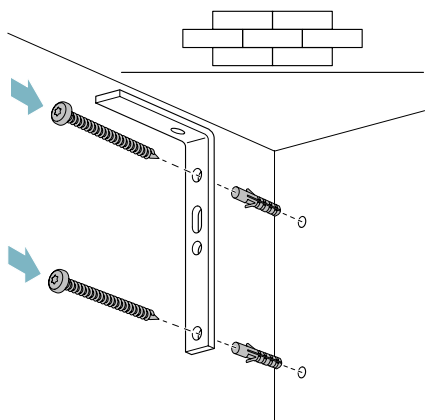
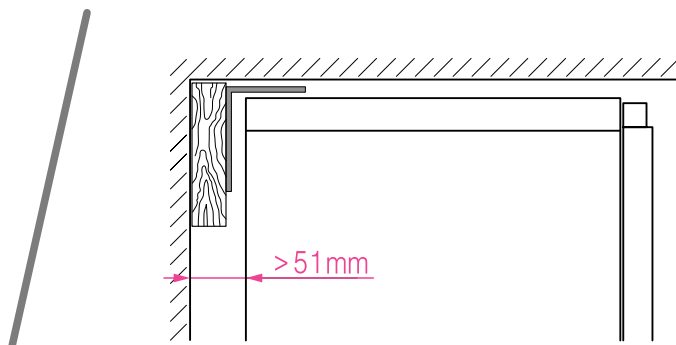
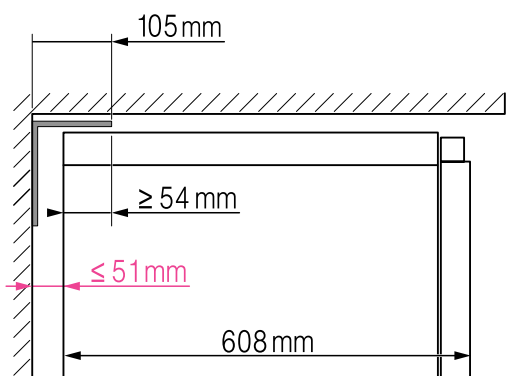
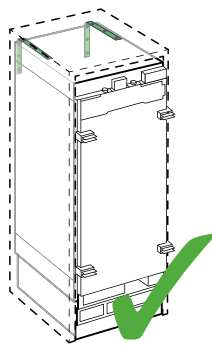
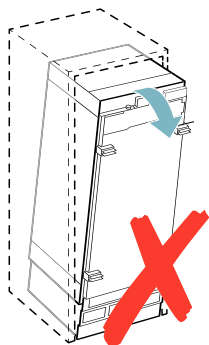
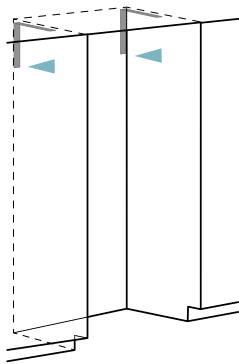
C


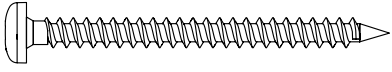
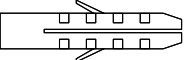
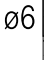
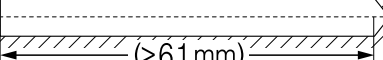
D


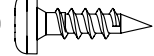


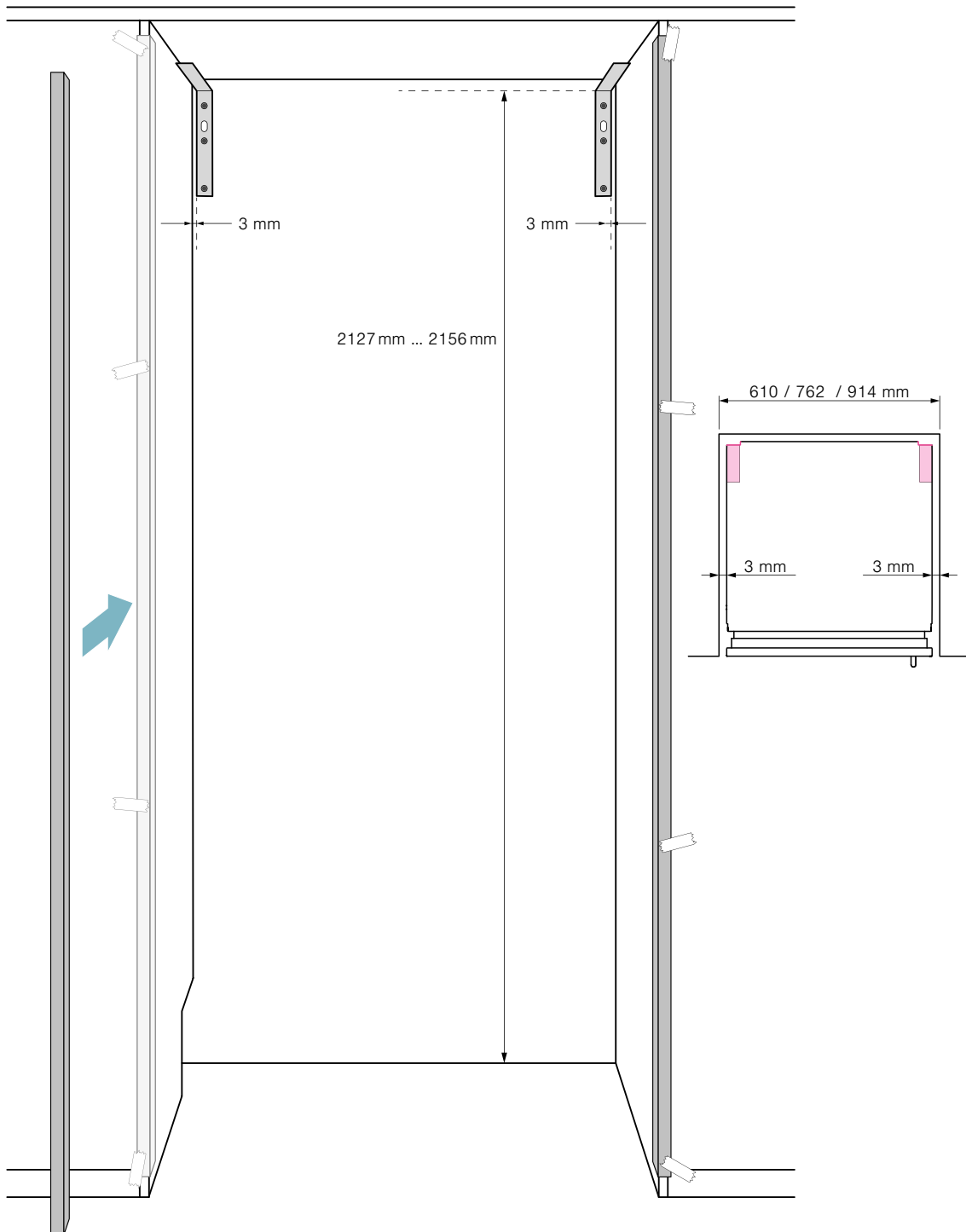
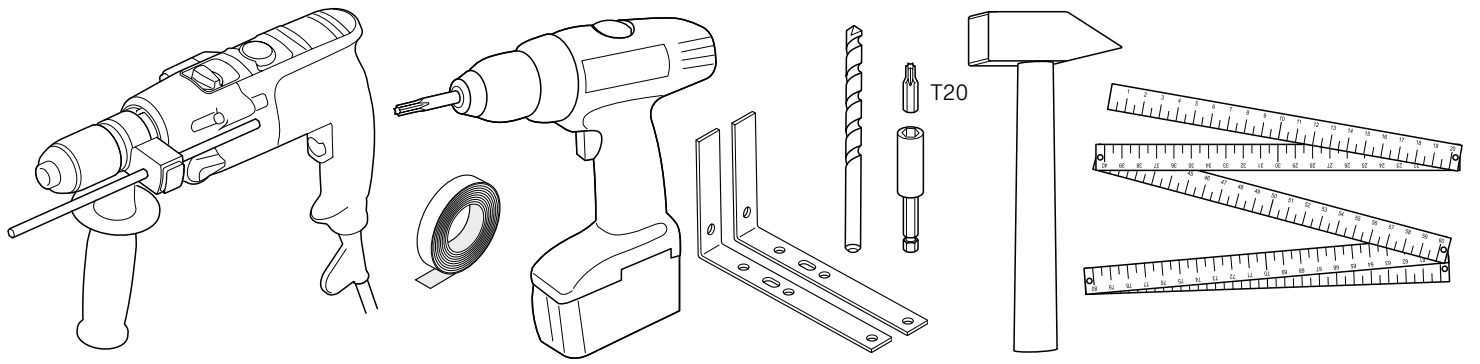
$16\text{ mm} \leq b < 160\text{ mm}$

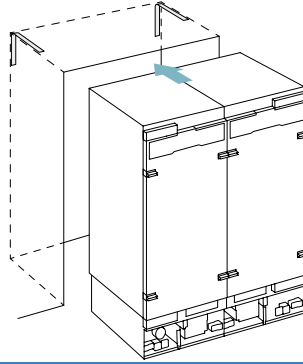
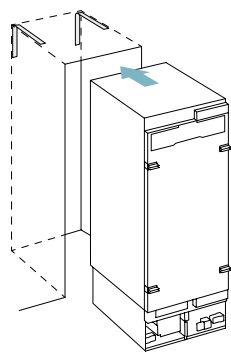
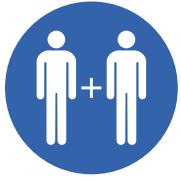




5x60			4x
6x31			4x
			
			

4x15			6x
------	--	---	----



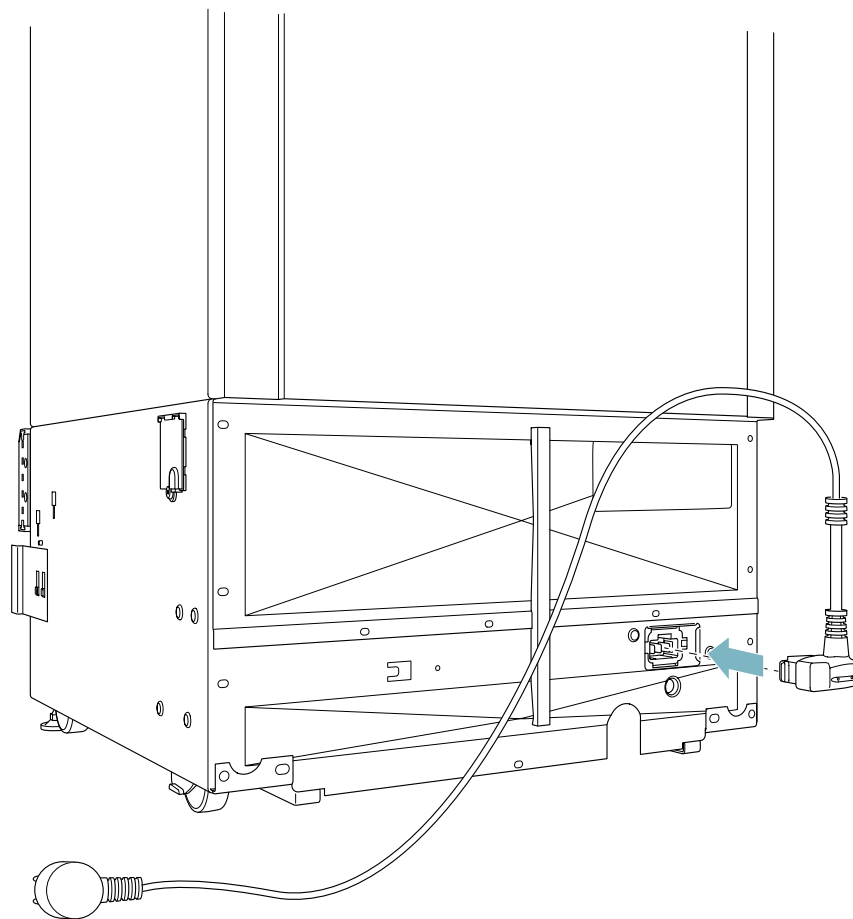
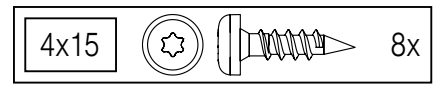
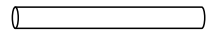
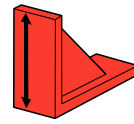
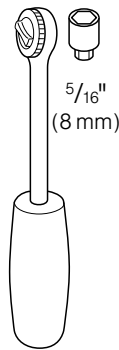
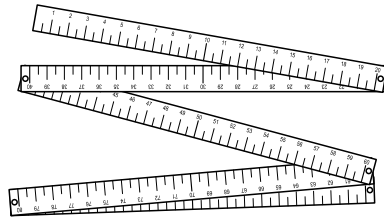
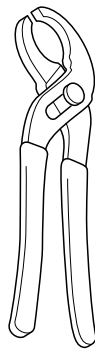
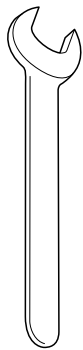
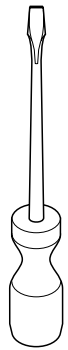
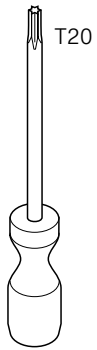


A

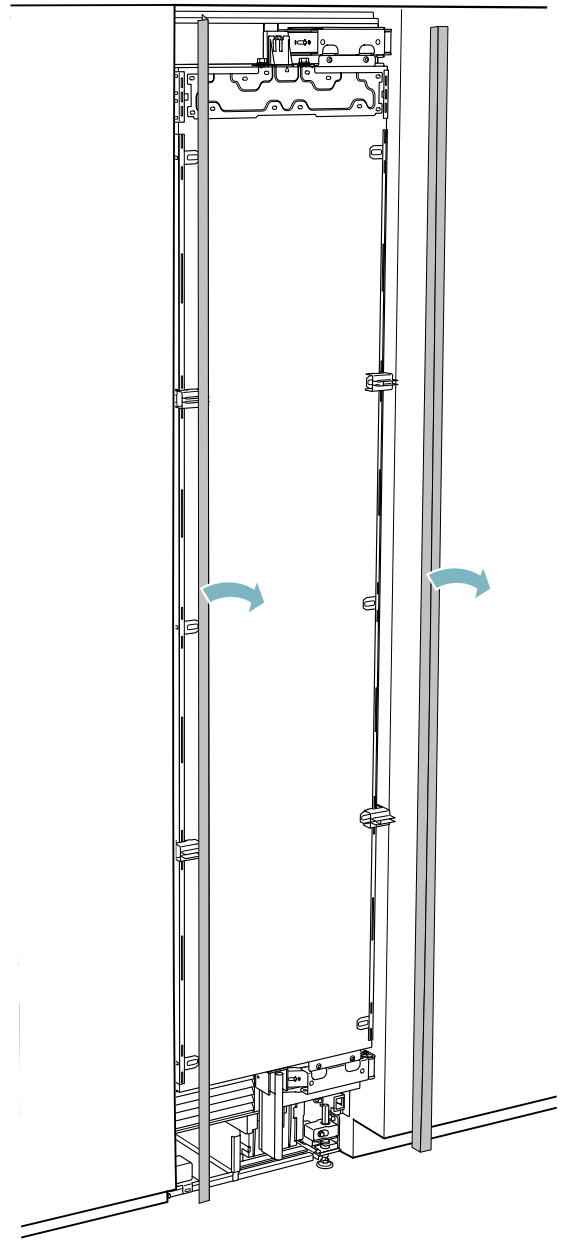
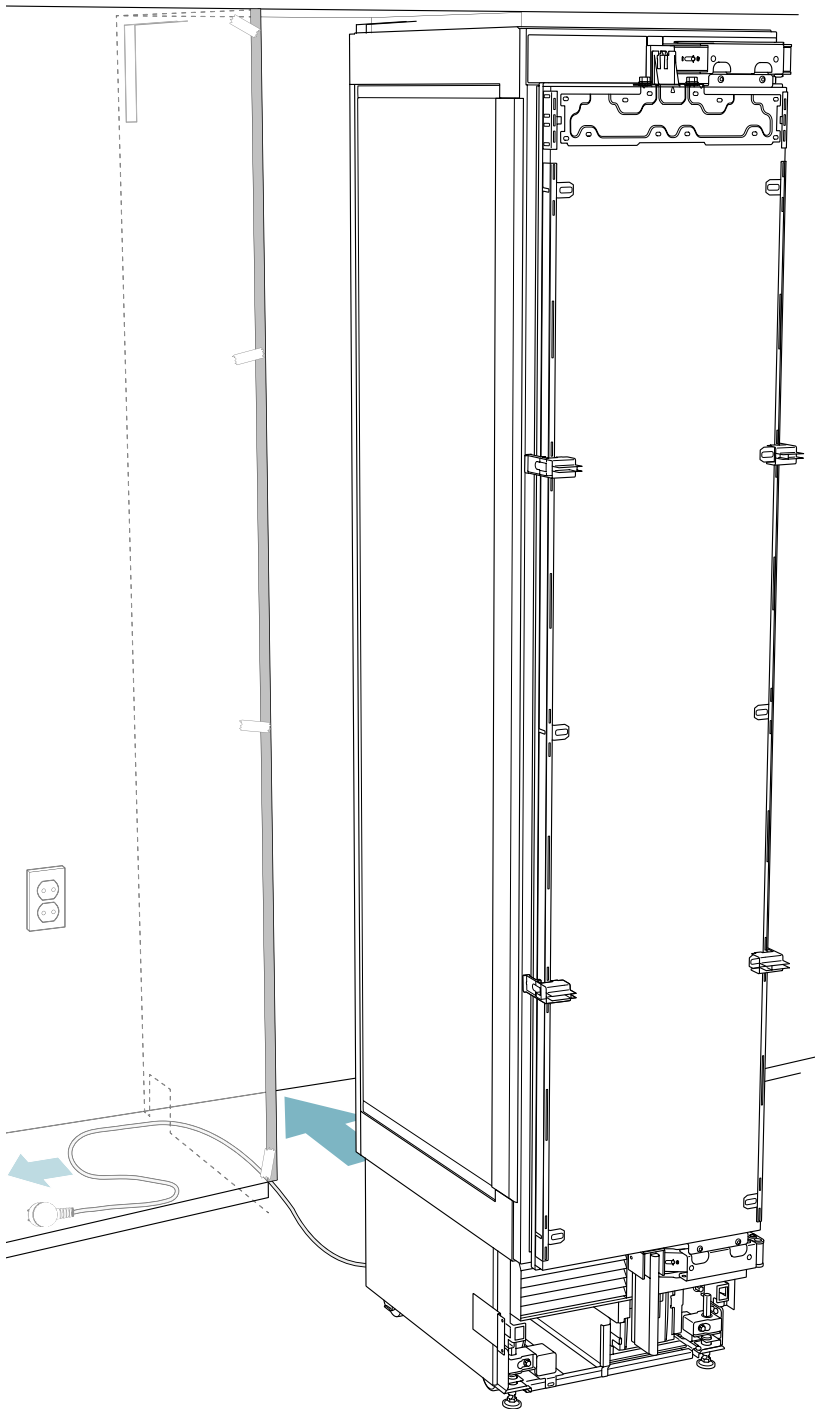
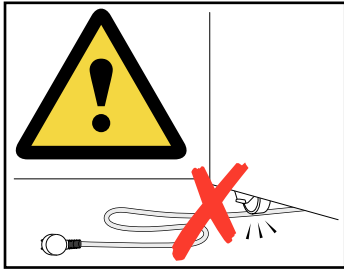
B

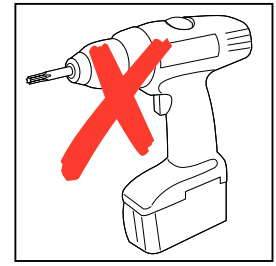
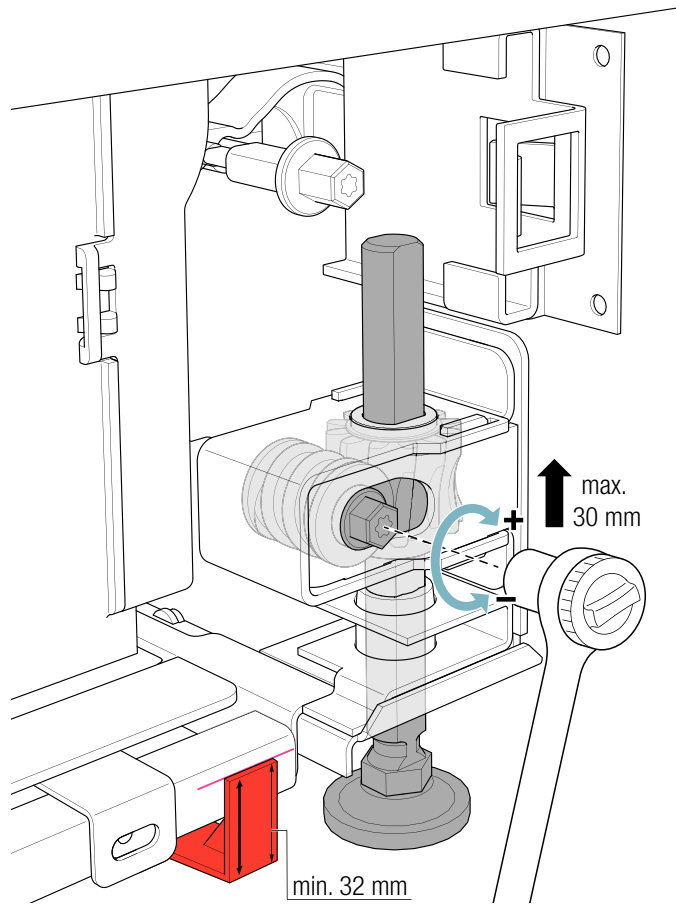
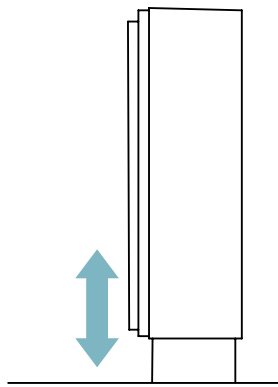
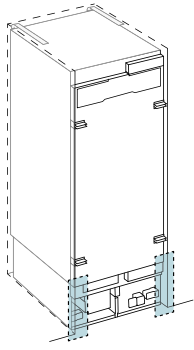
C

D

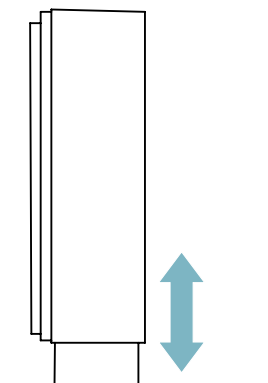
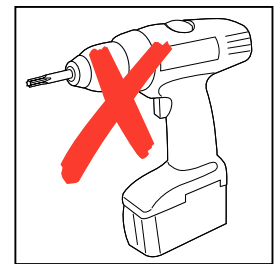
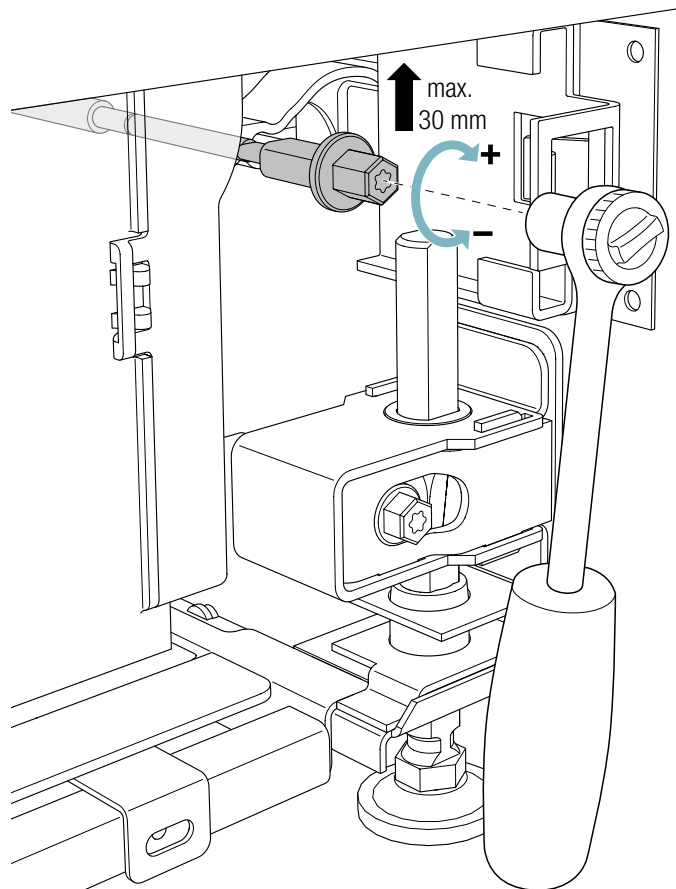


A
B
C
D

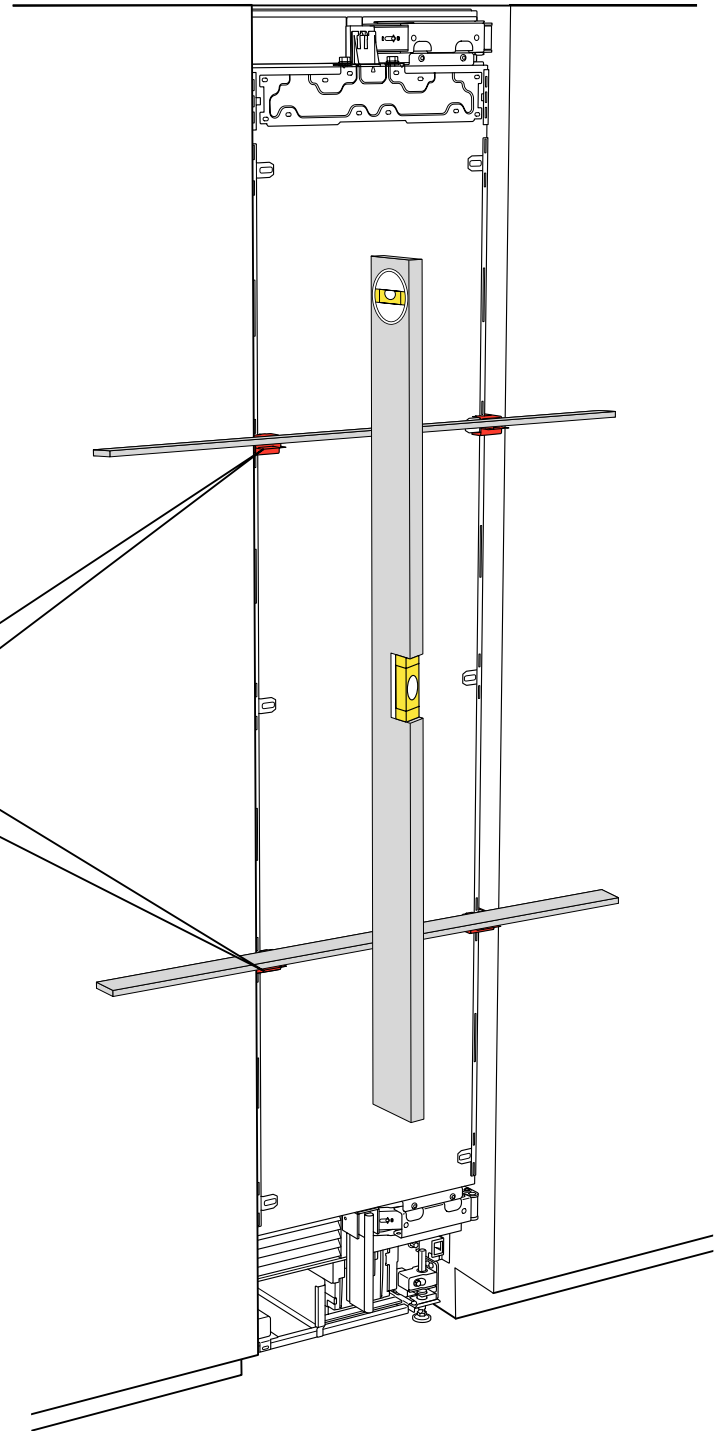
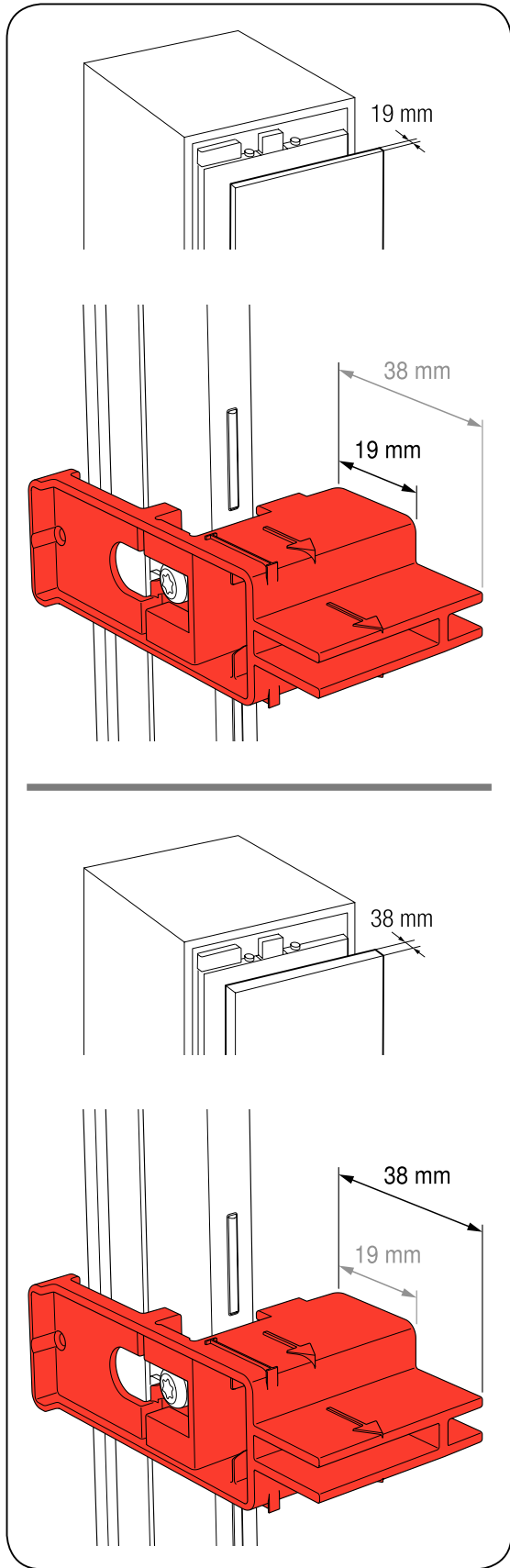






- A
- B
- C
- D

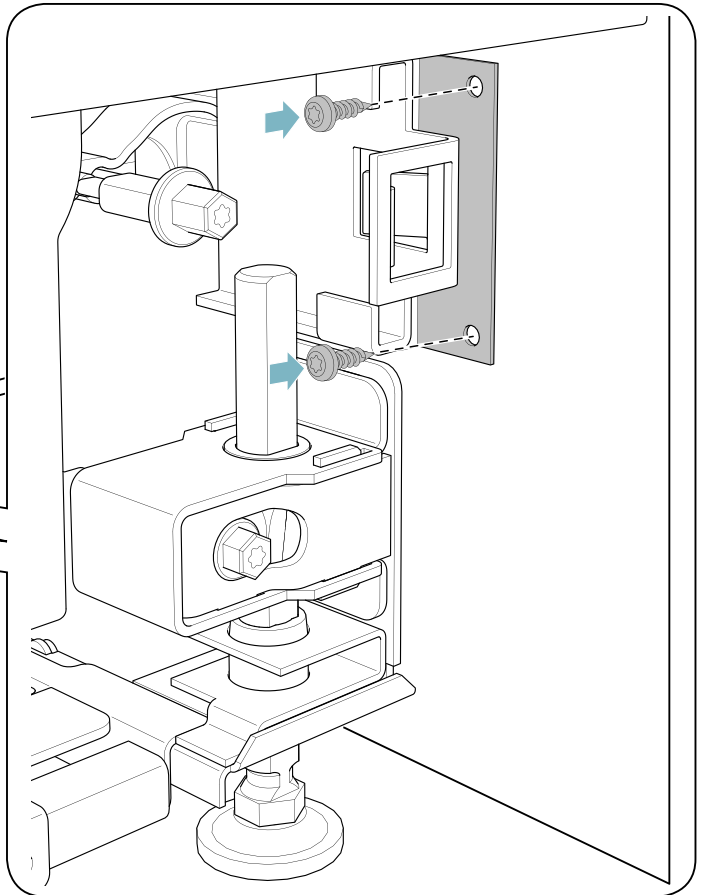
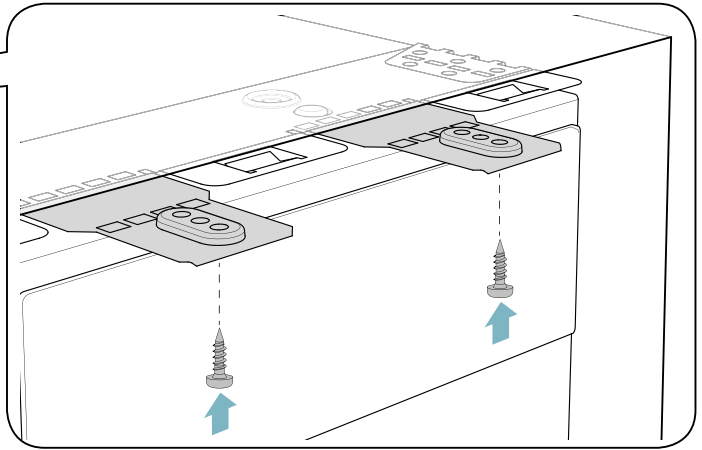
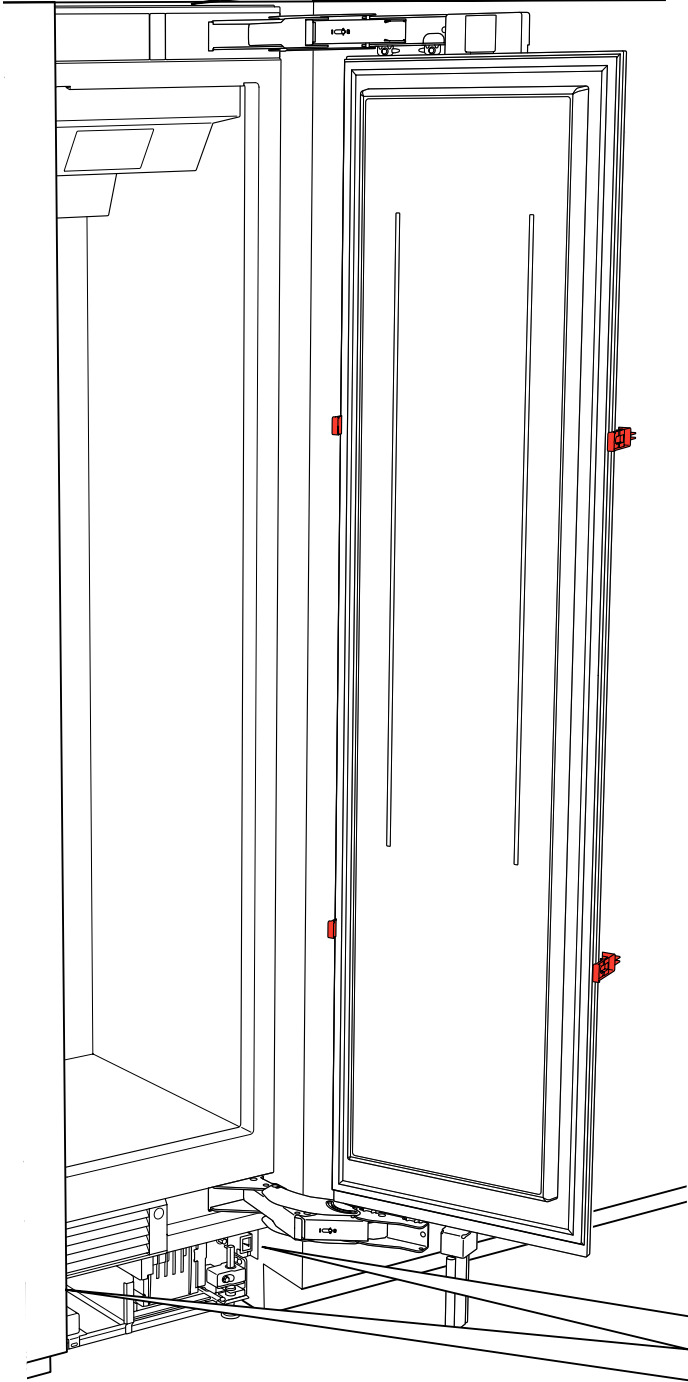


A
B
C
D

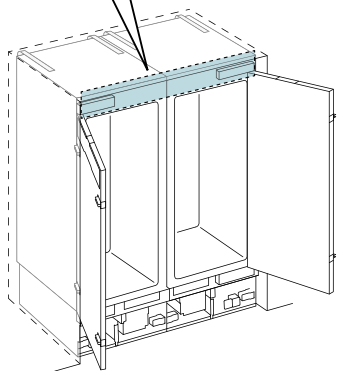
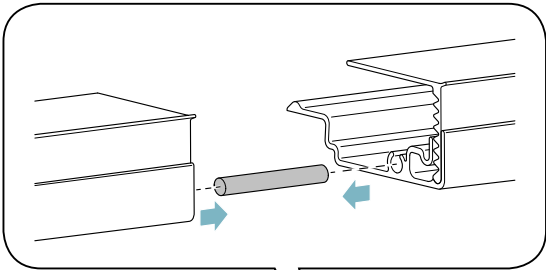
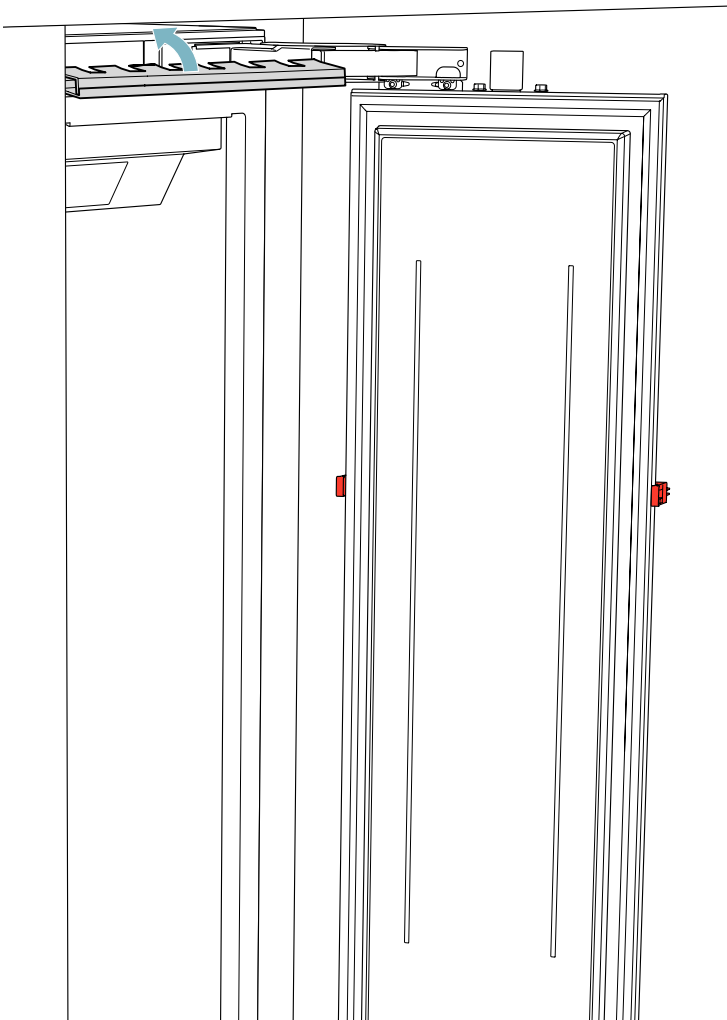
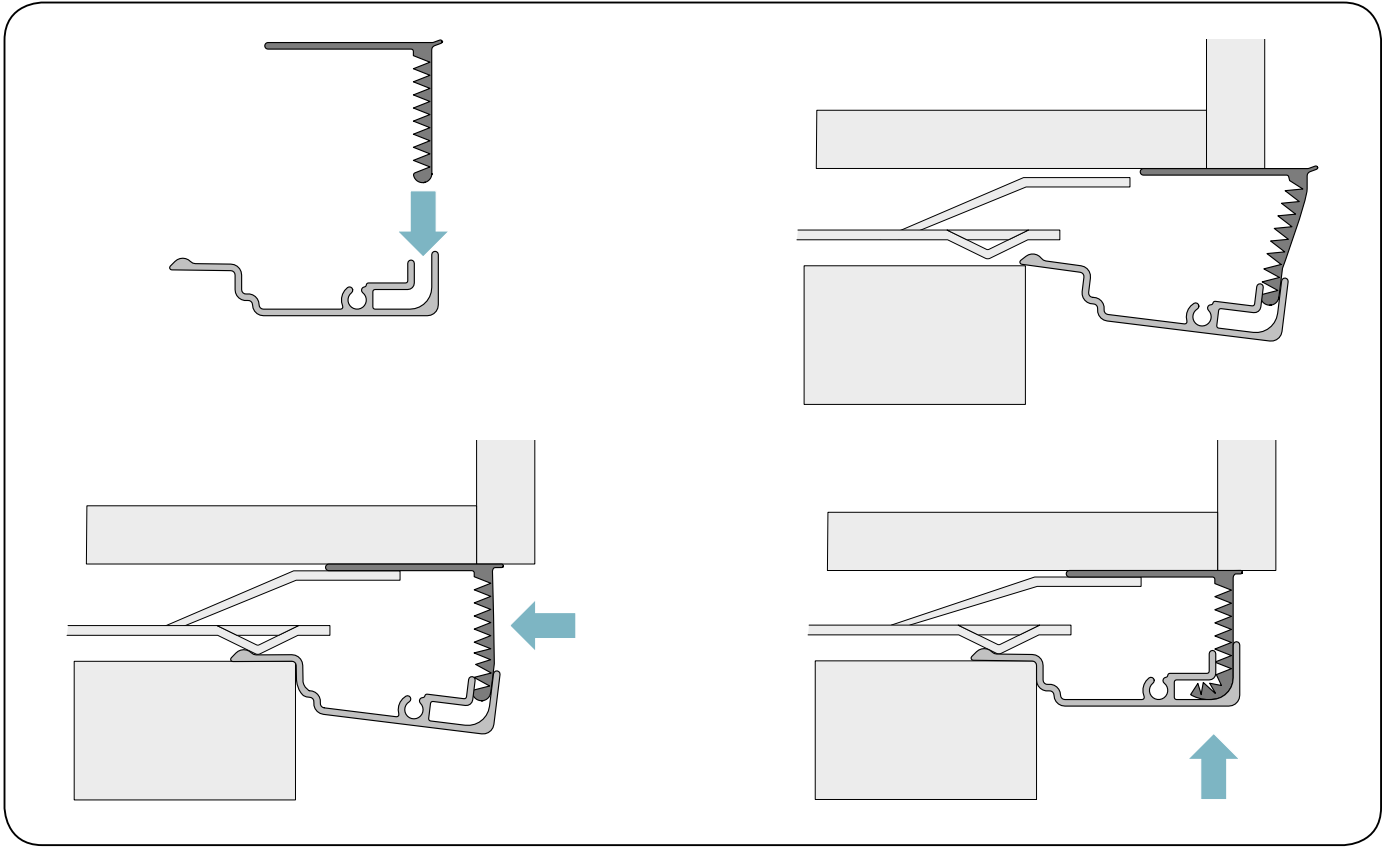


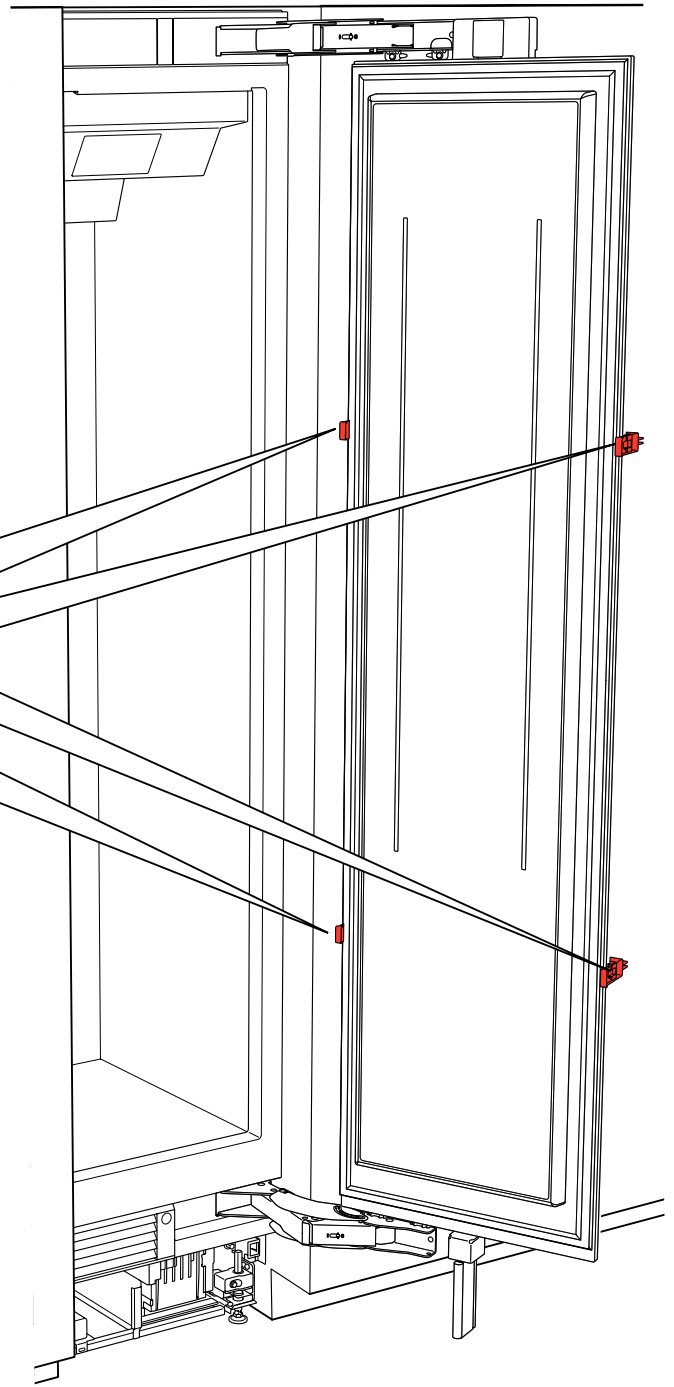
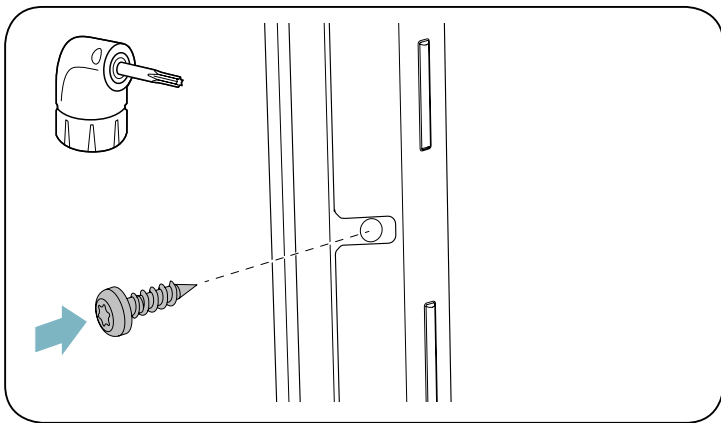
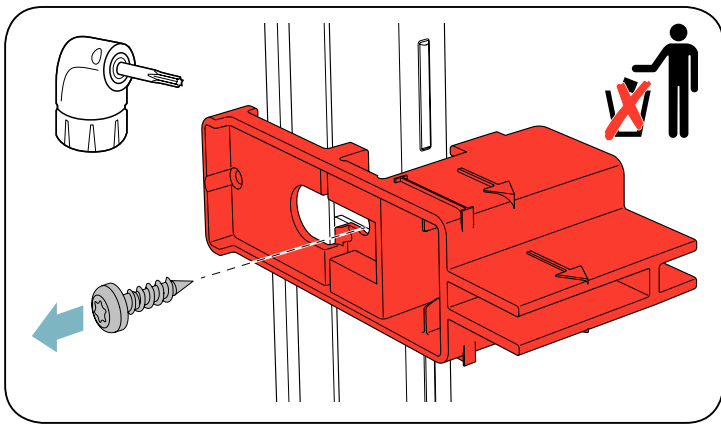
4x15   8x

A
B
C
D

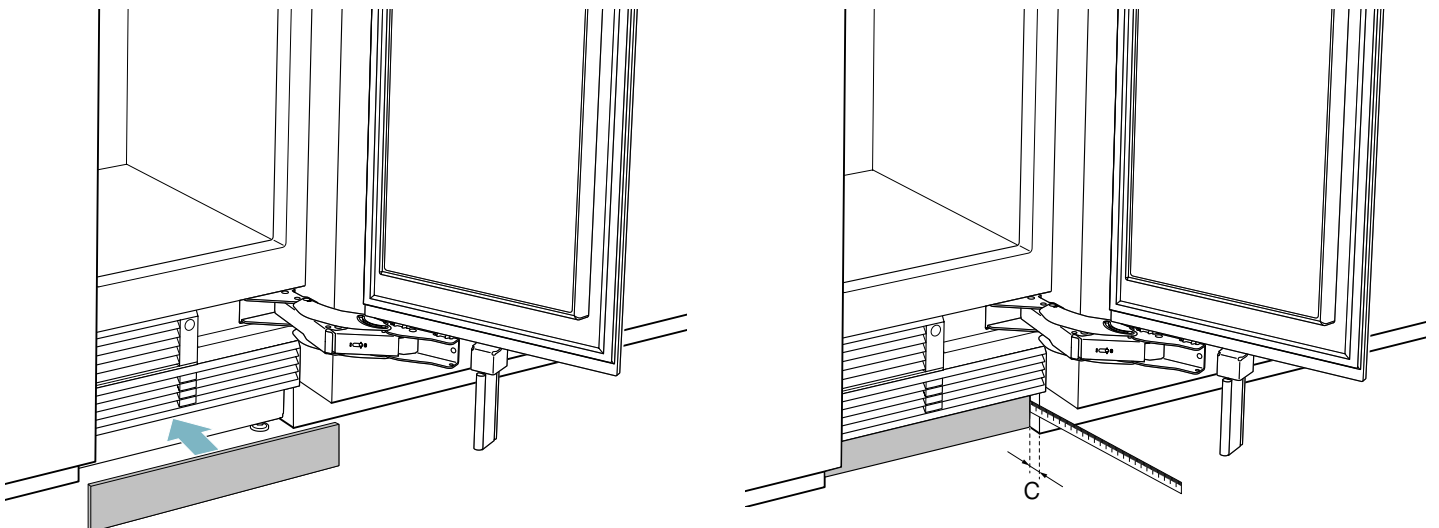
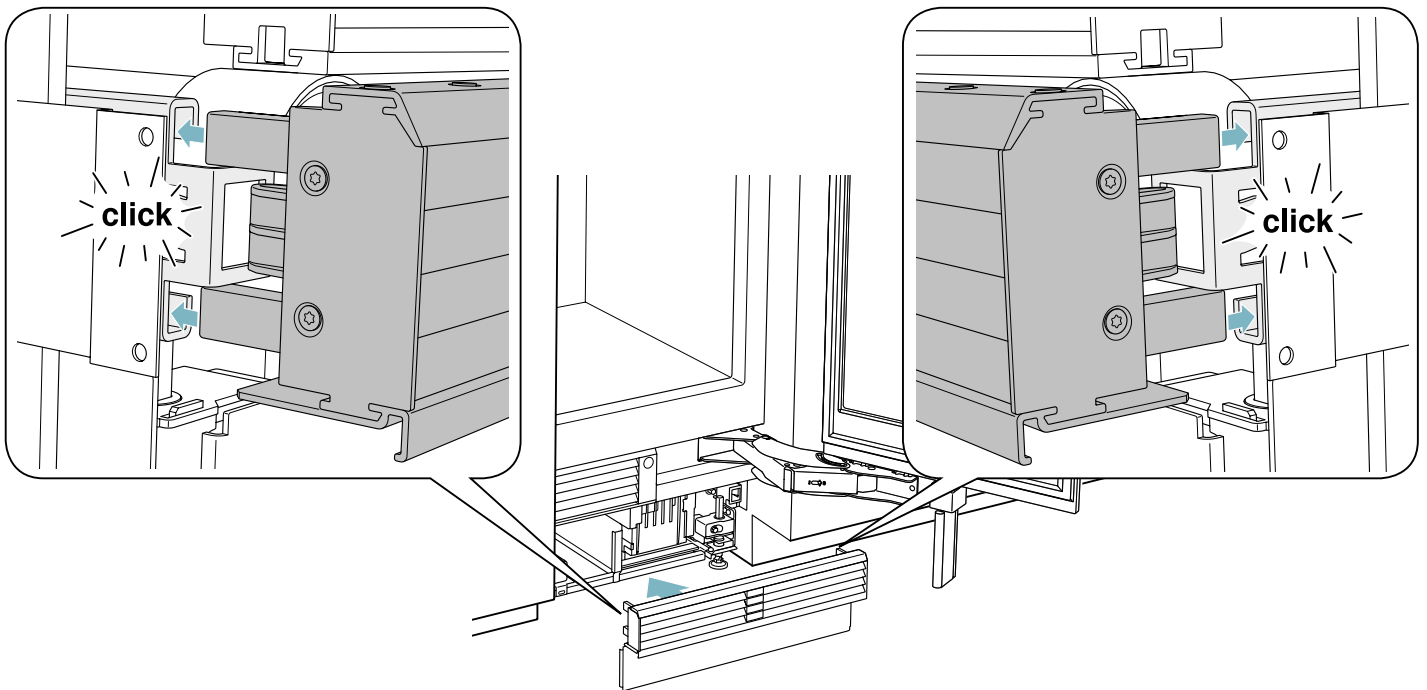
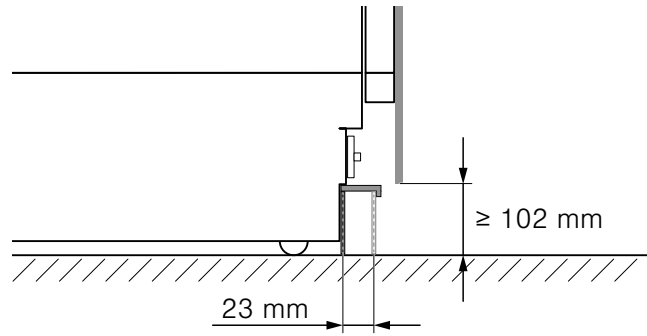
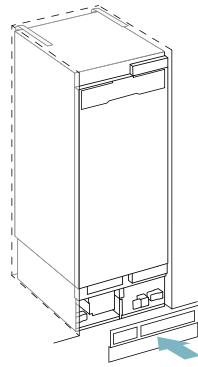


A
B
C
D

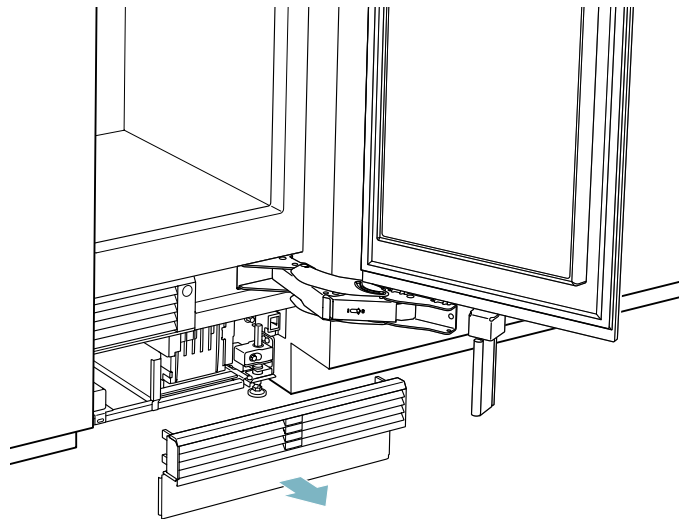
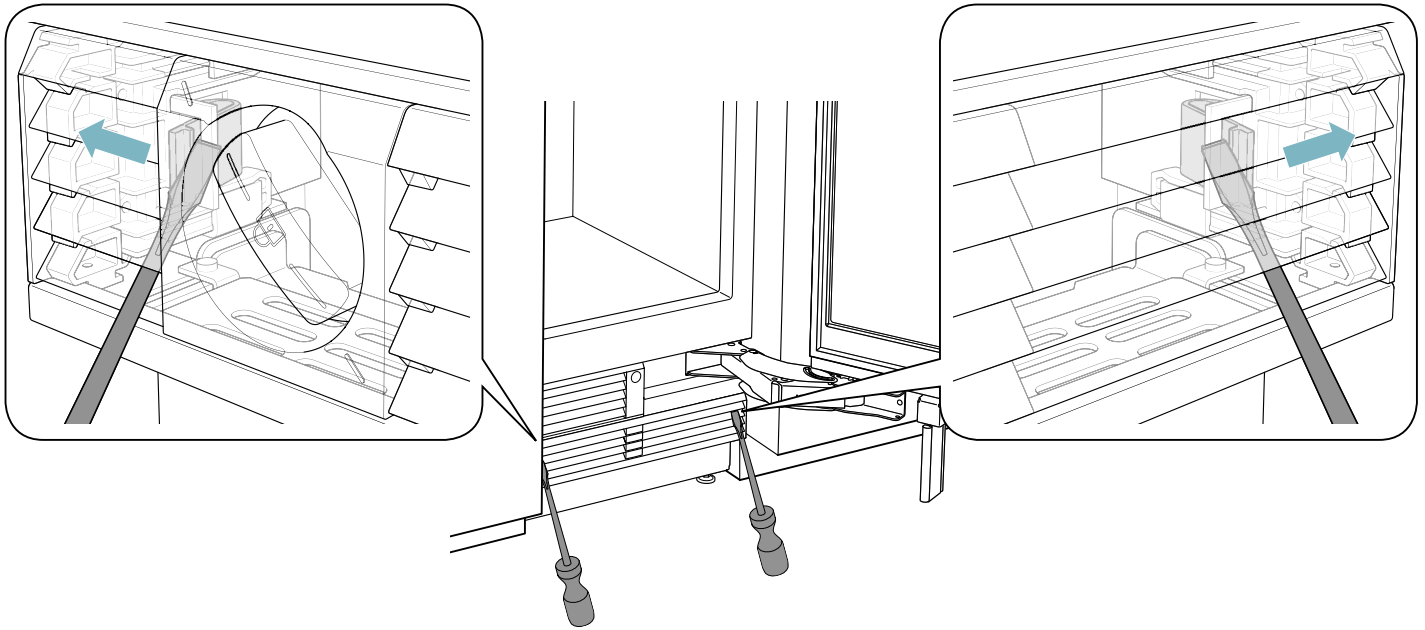
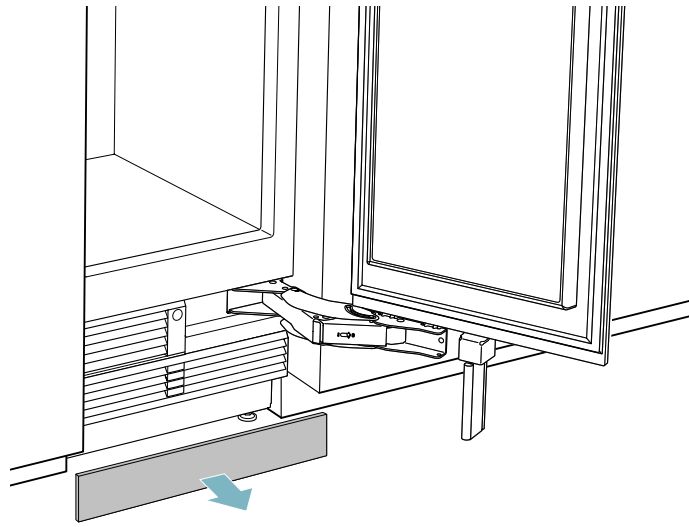




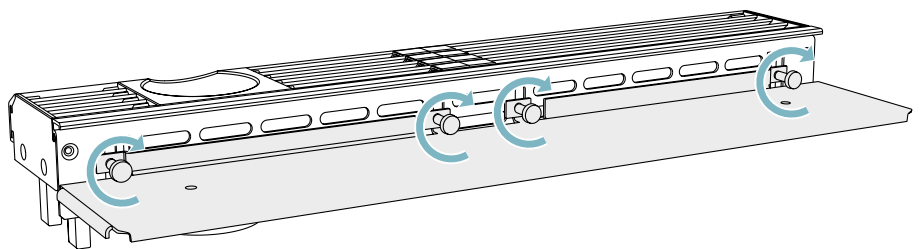
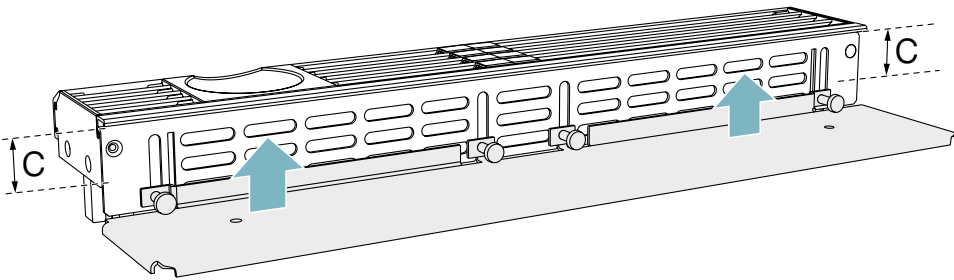
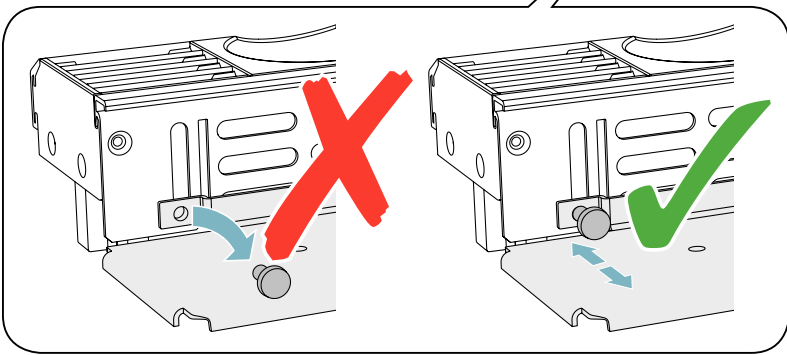
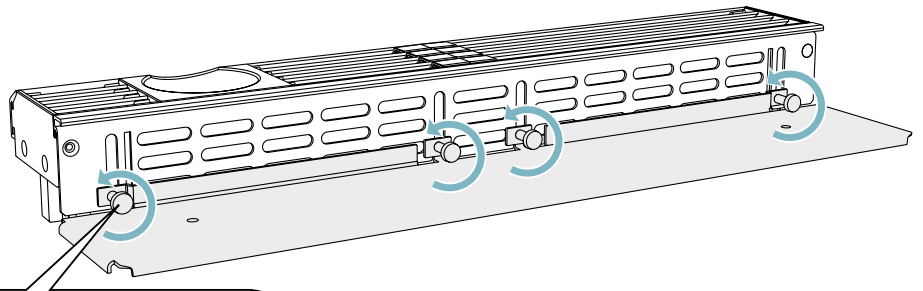
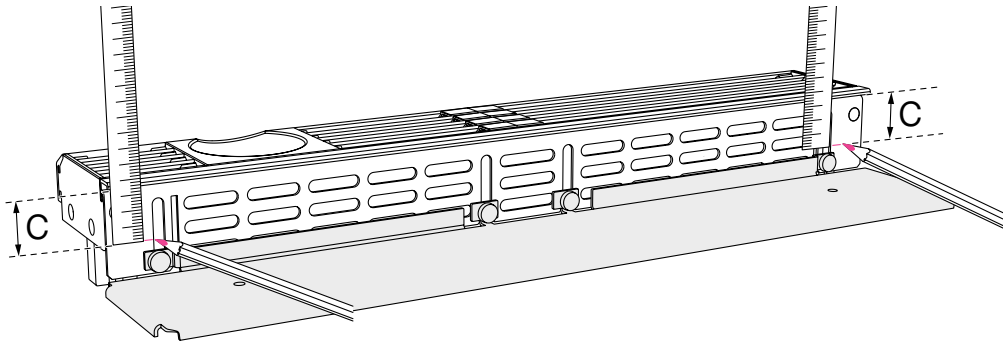
- A
- B
- C
- D



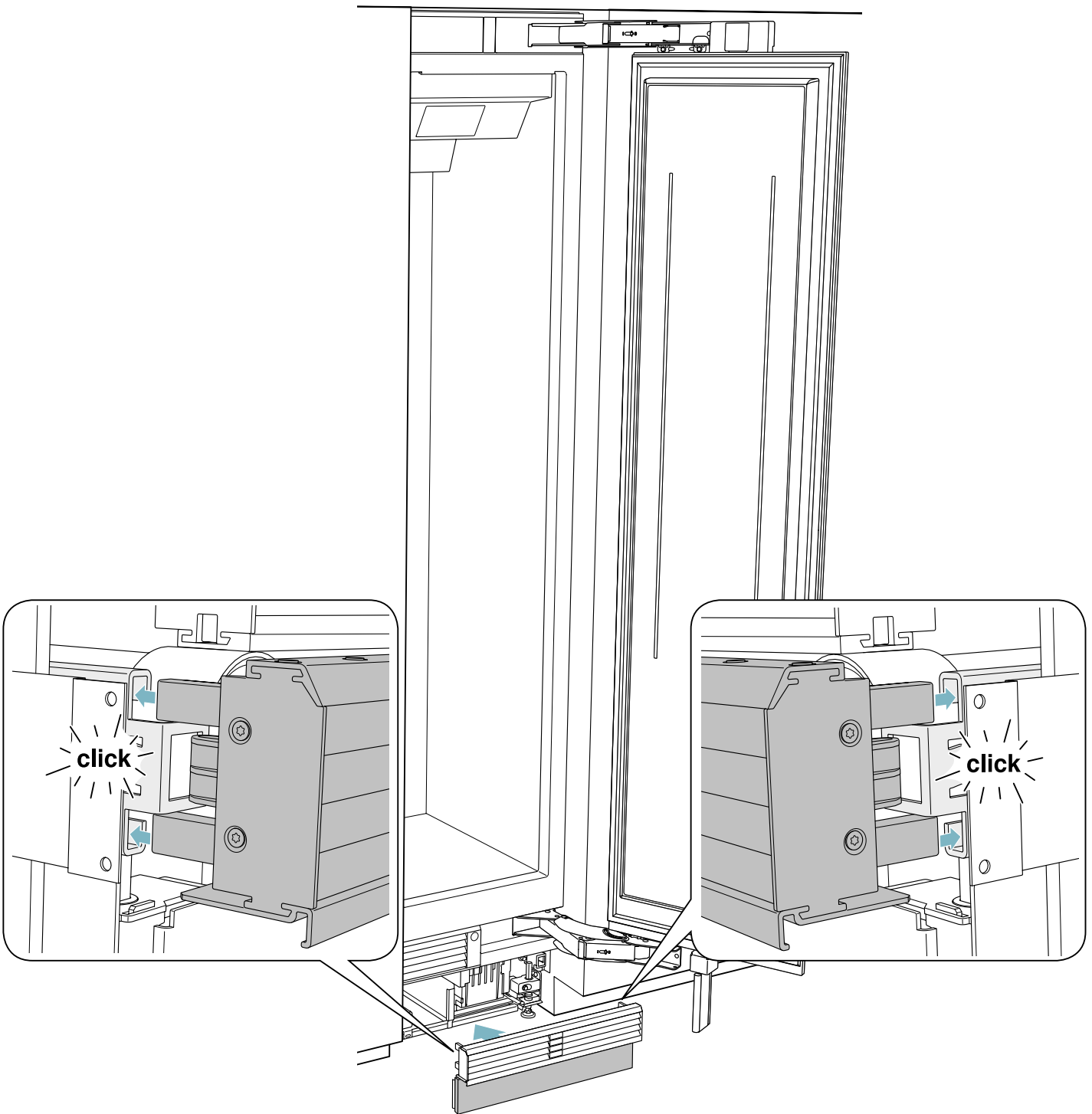
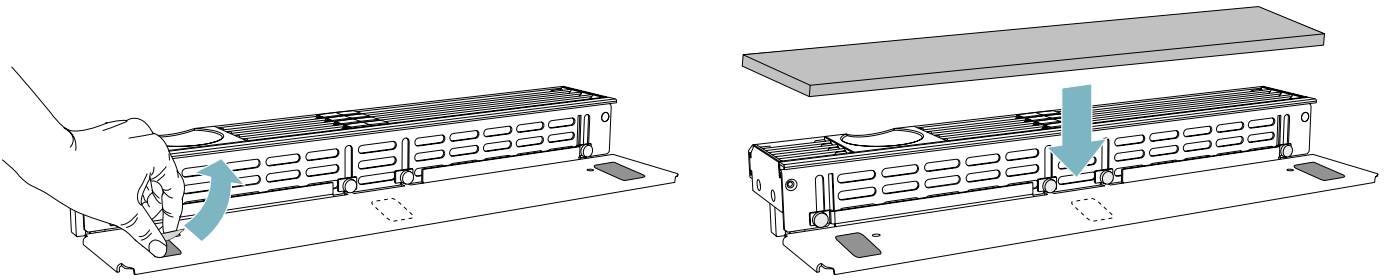
- A
- B
- C
- D



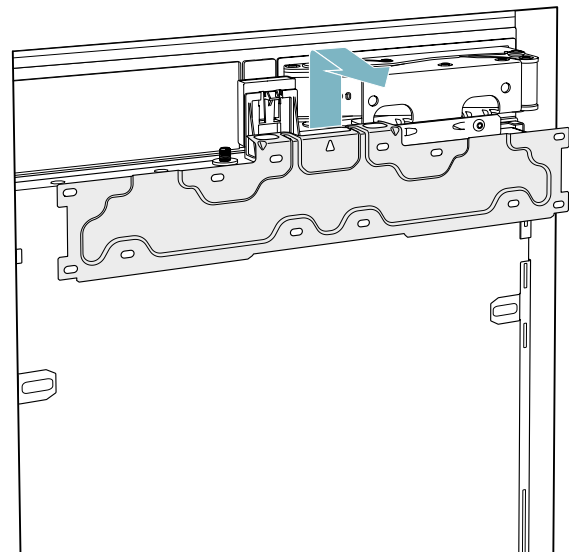
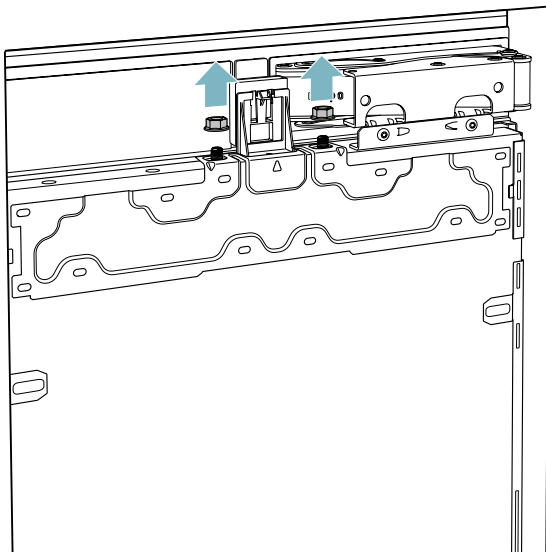
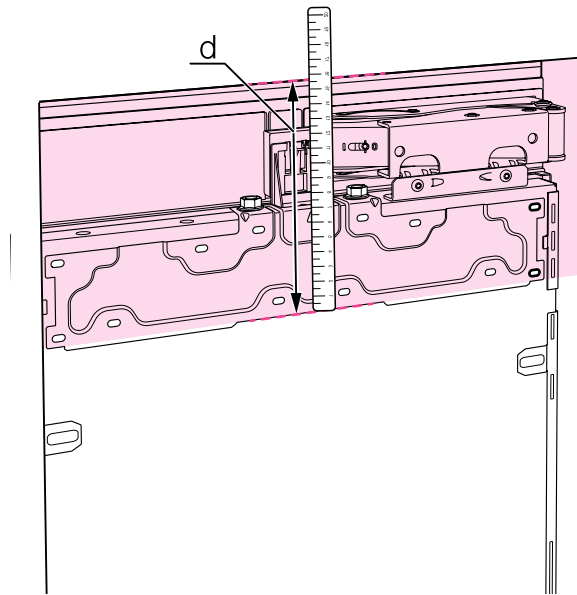
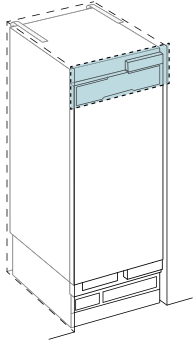
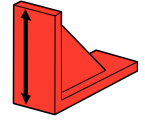
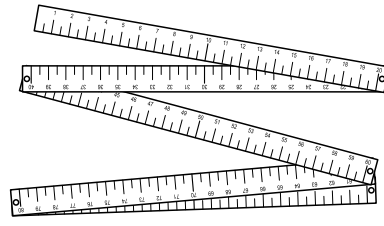
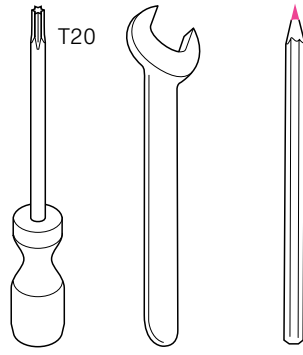
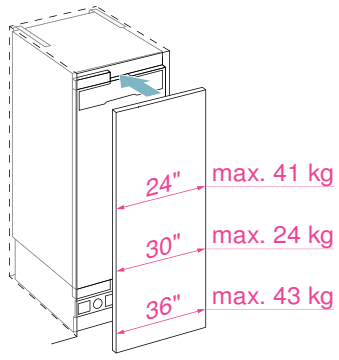
- A
- B
- C
- D



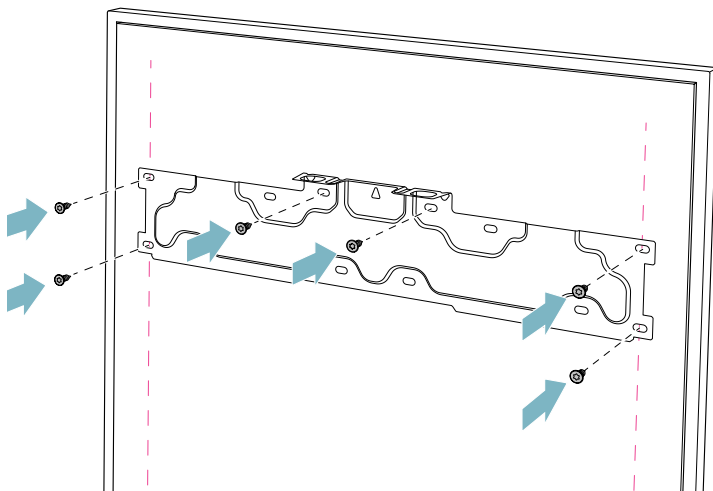
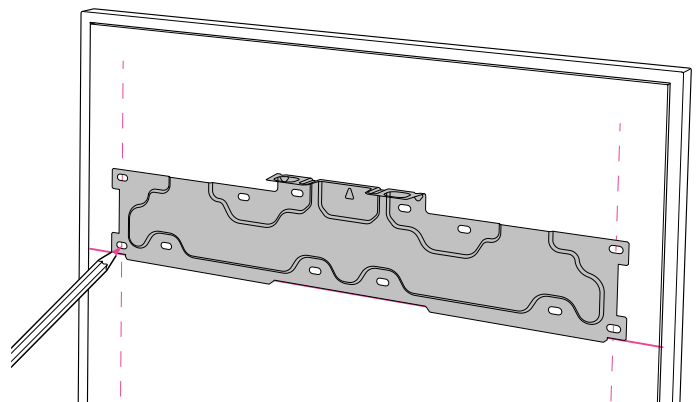
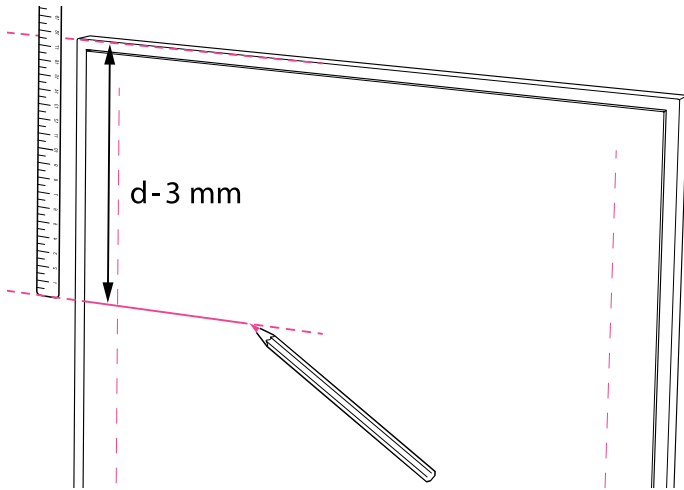
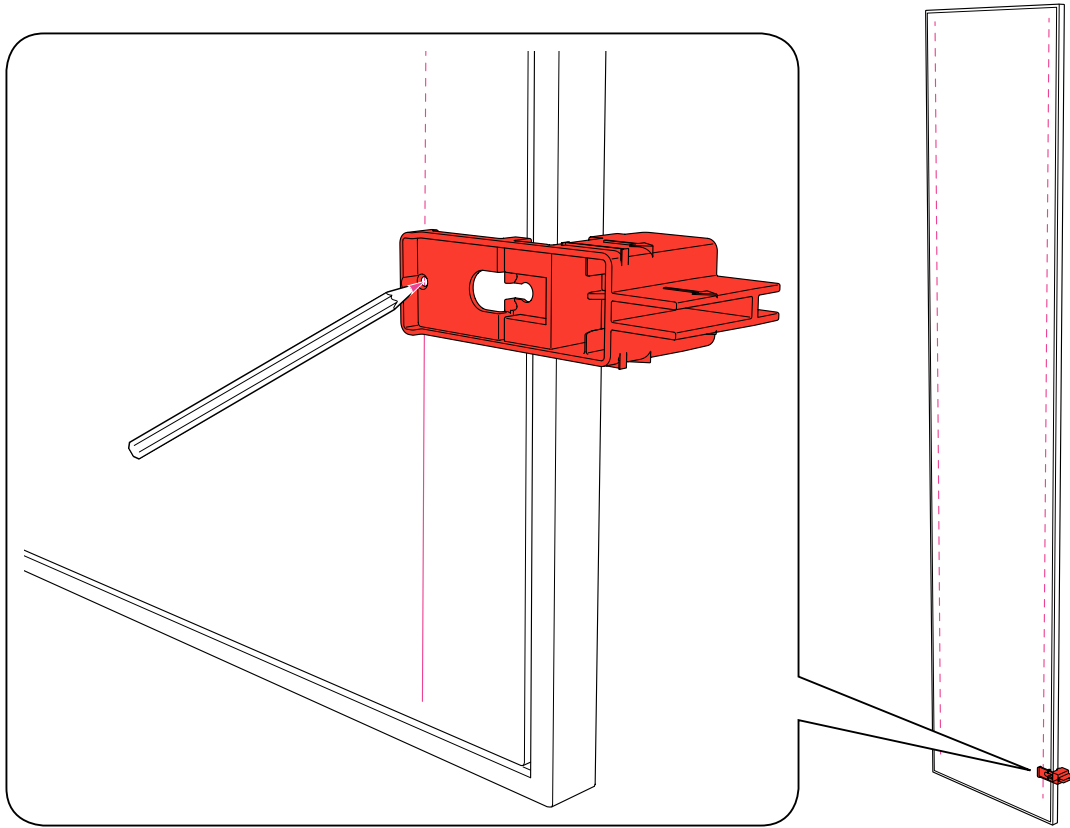
- A
- B
- C
- D





A
B
C
D

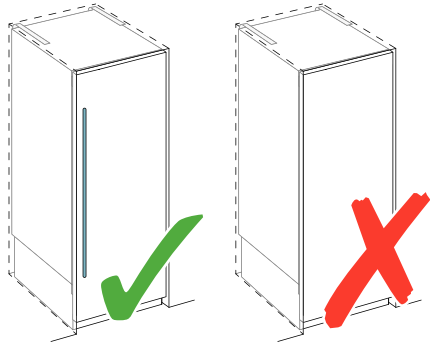


A
B
C
D

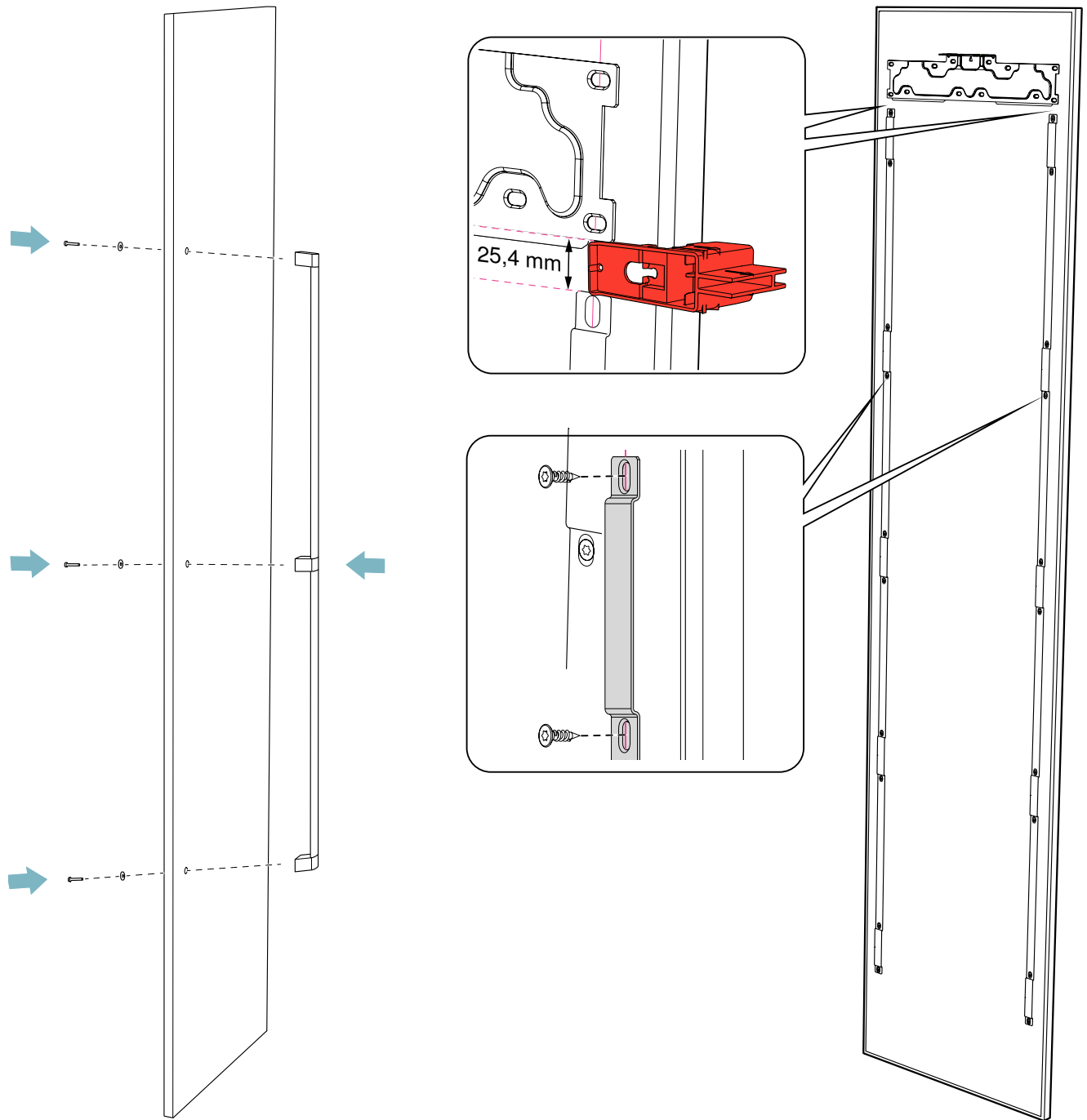


4x15			24" (610 mm) min. 6x
			30" (762 mm) min. 10x
			36" (915 mm) 12x

- A
- B
- C
- D



4x15			20x
------	--	--	-----

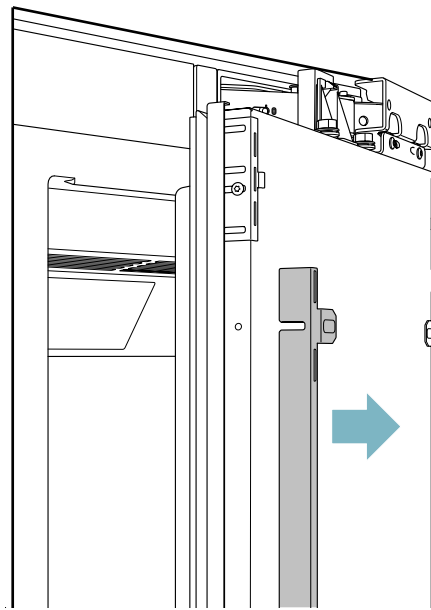
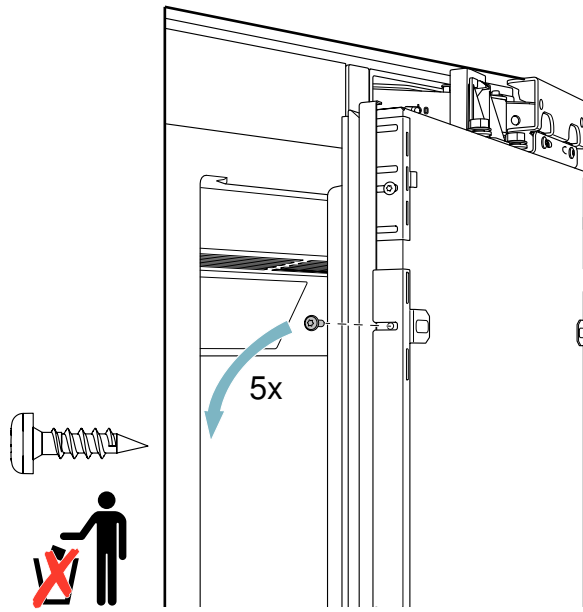
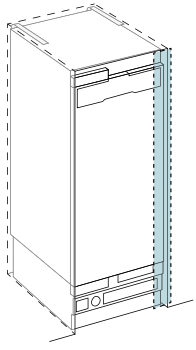


A

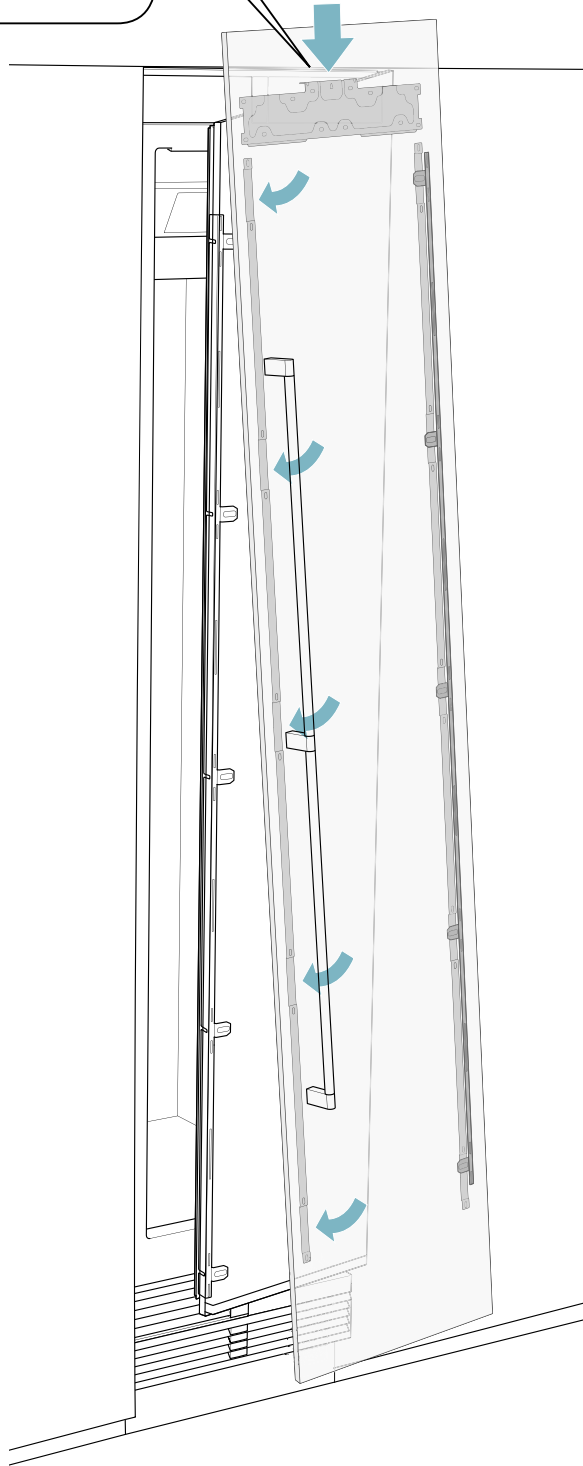
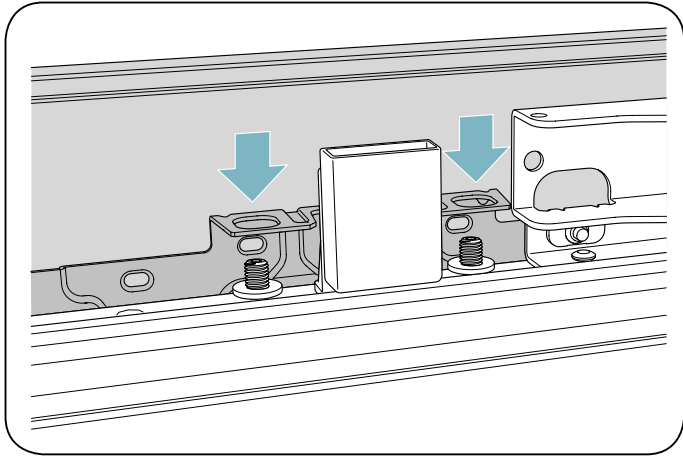
B

C

D



- A
- B
- C**
- D

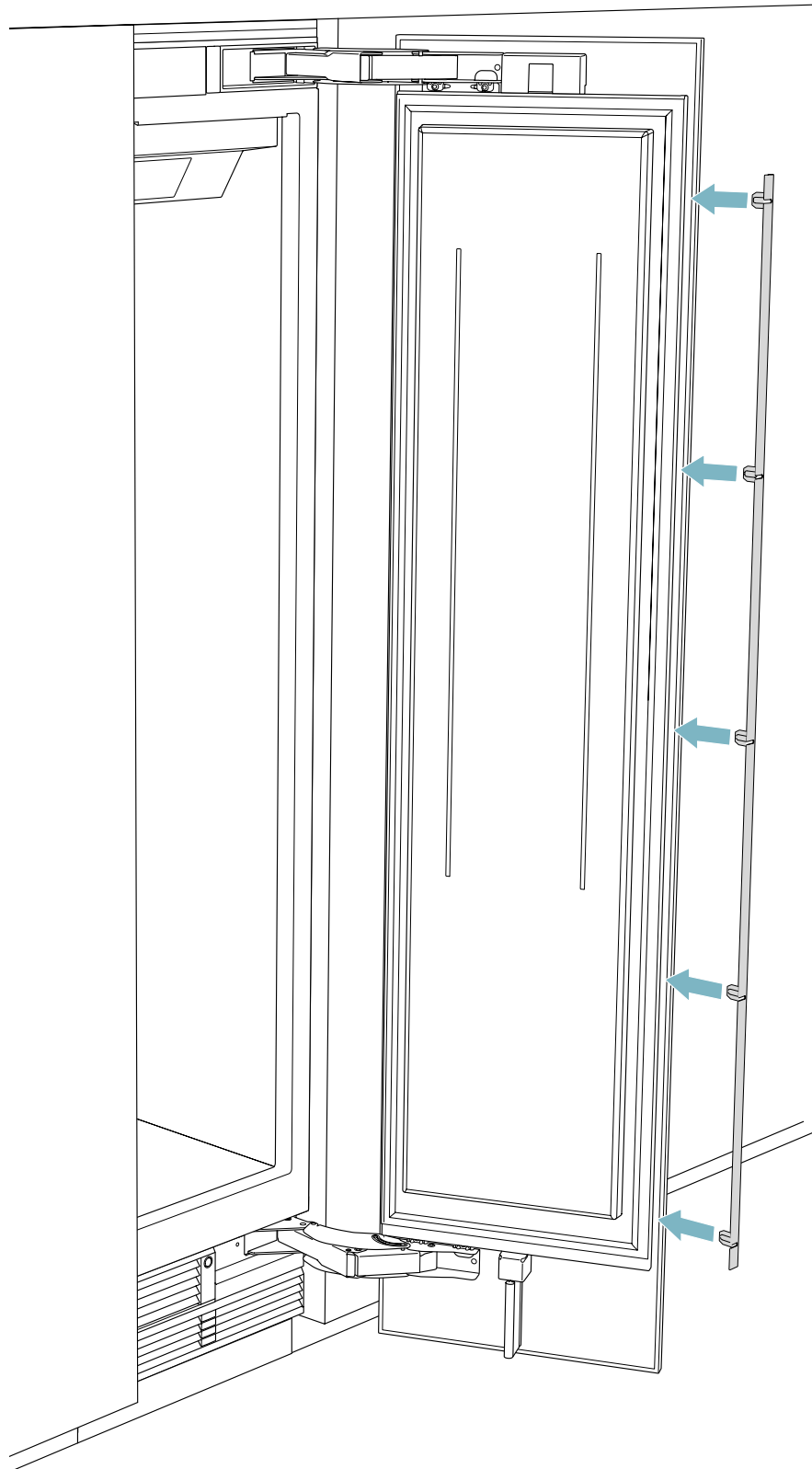


A

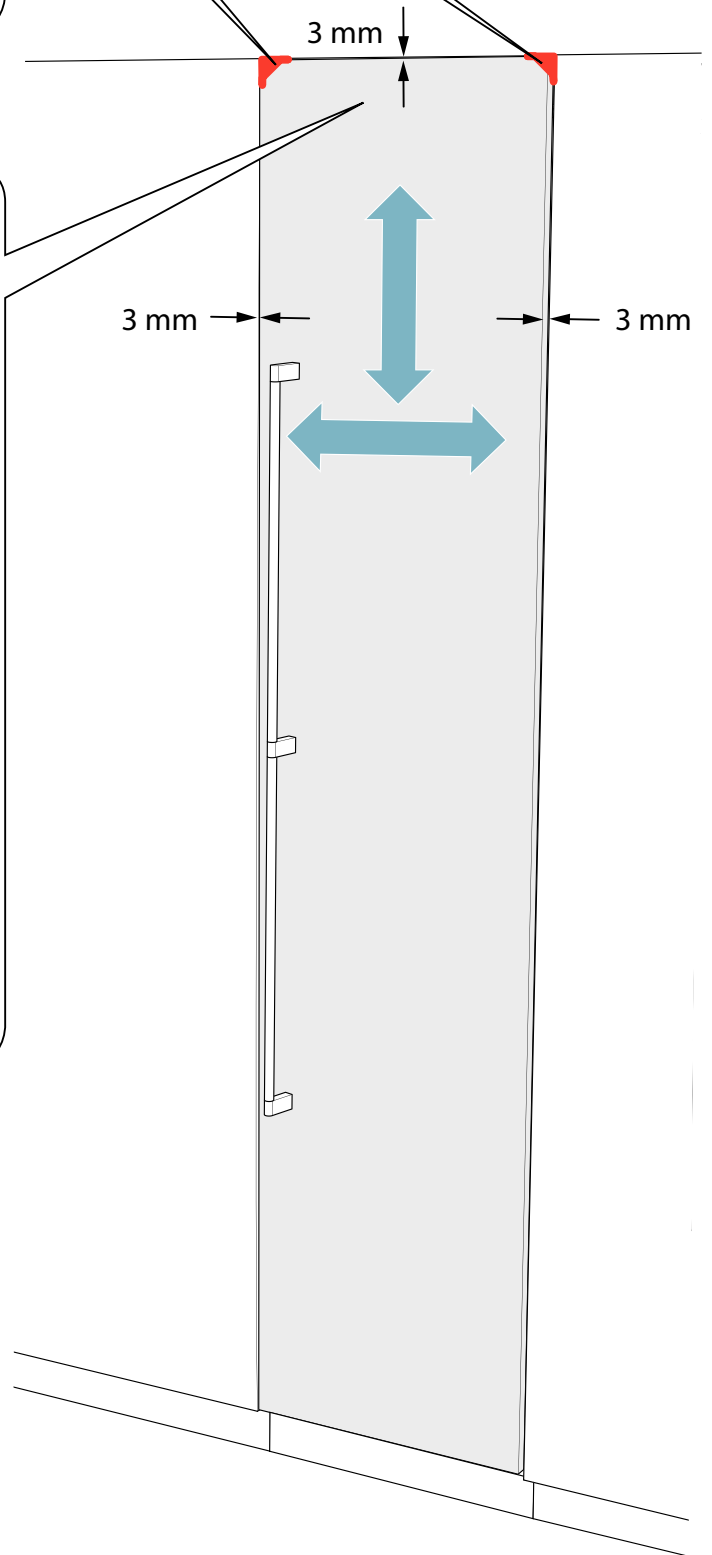
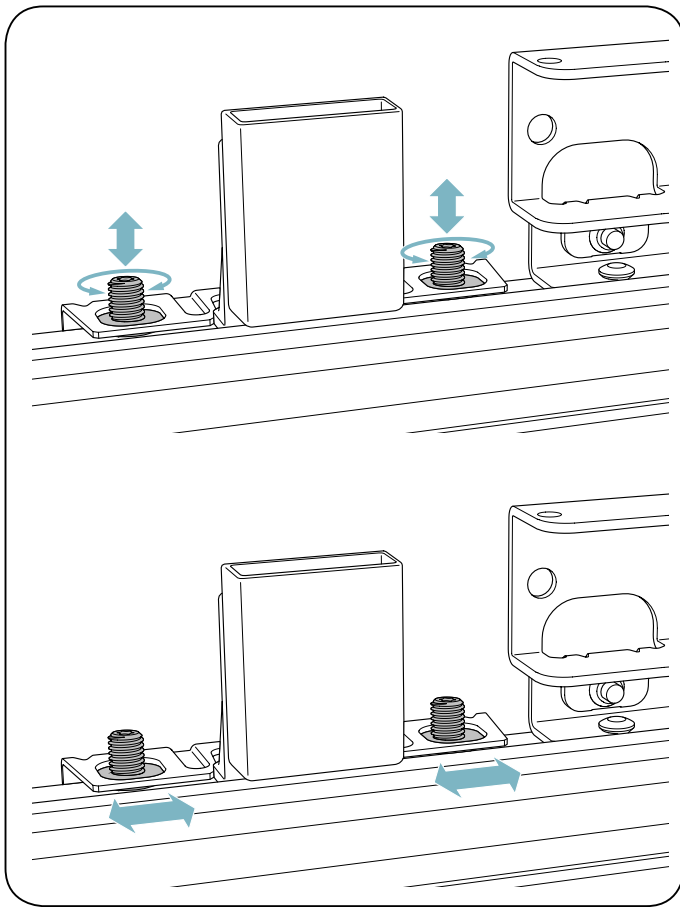
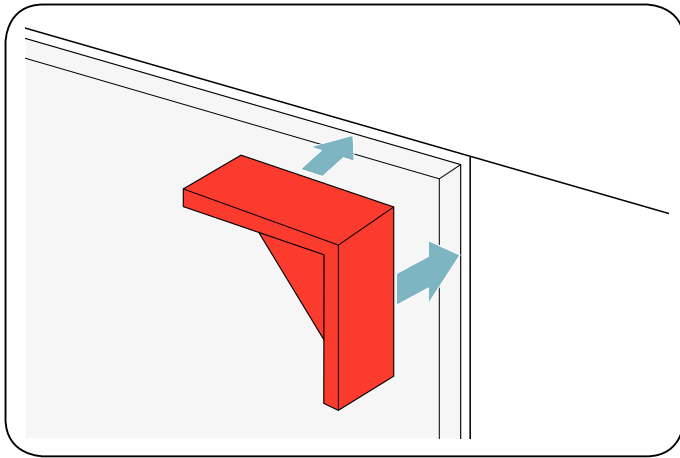
B

C

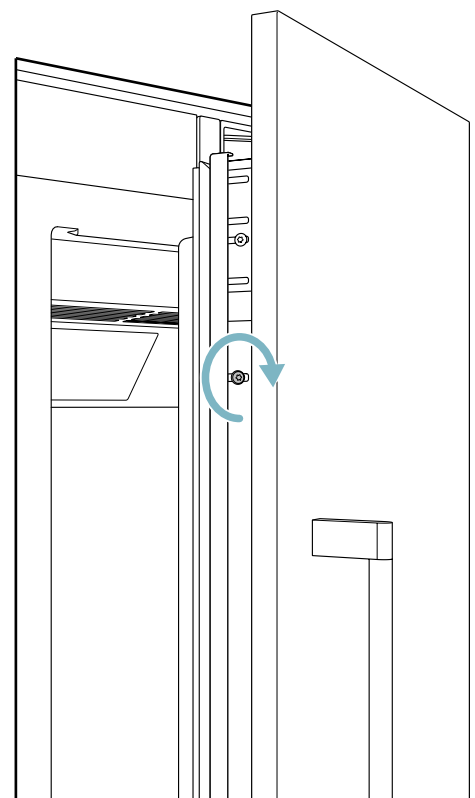
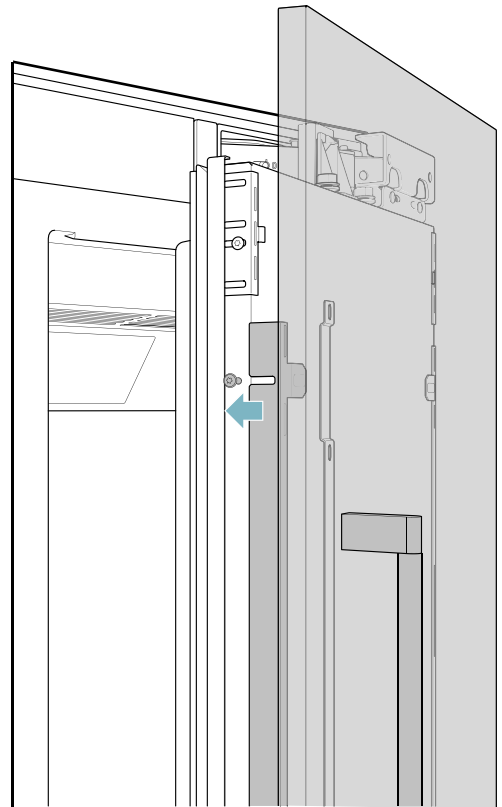
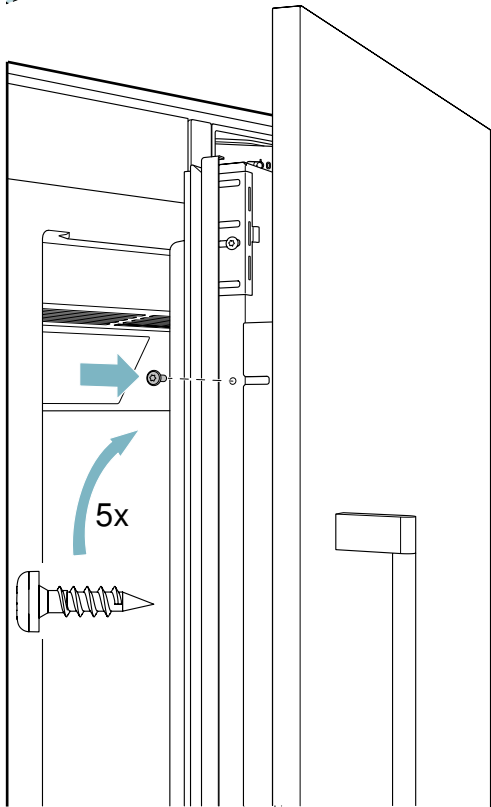
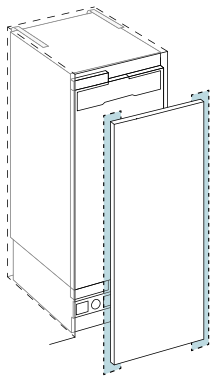
D



- A
- B
- C
- D



- A
- B
- C
- D

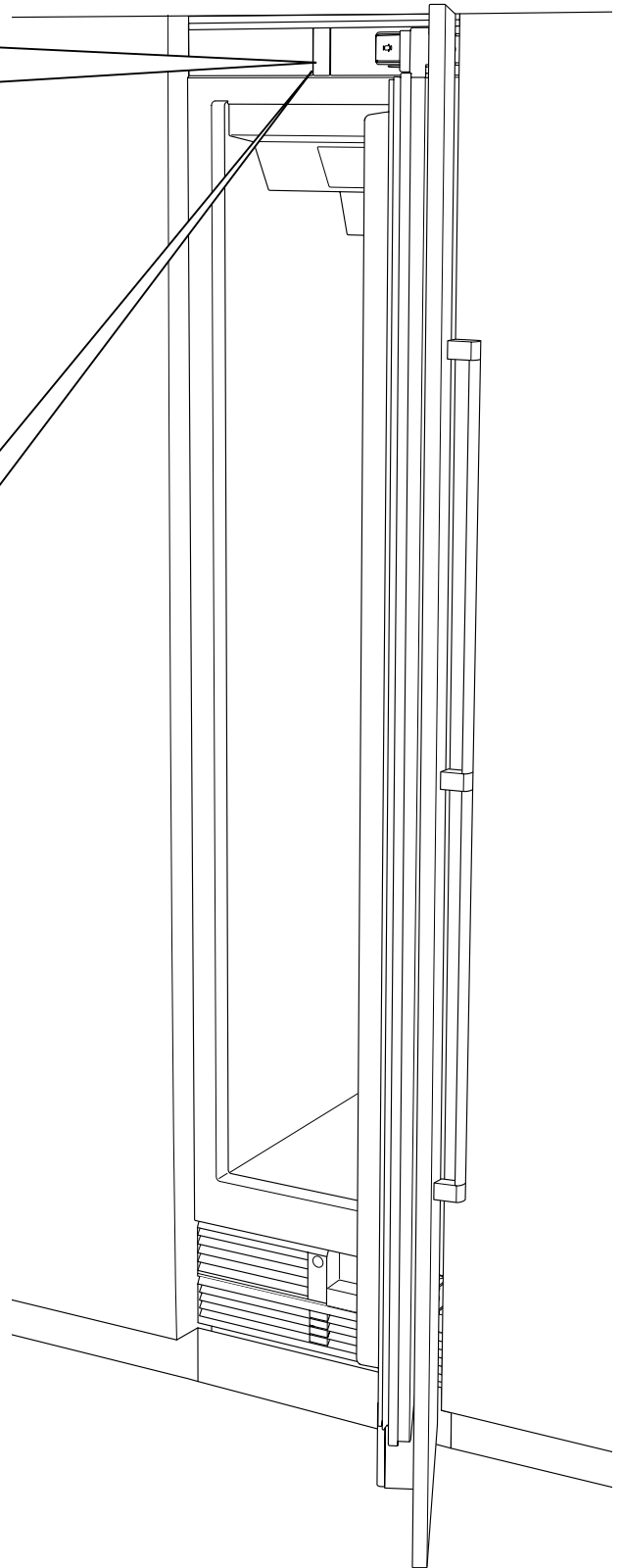
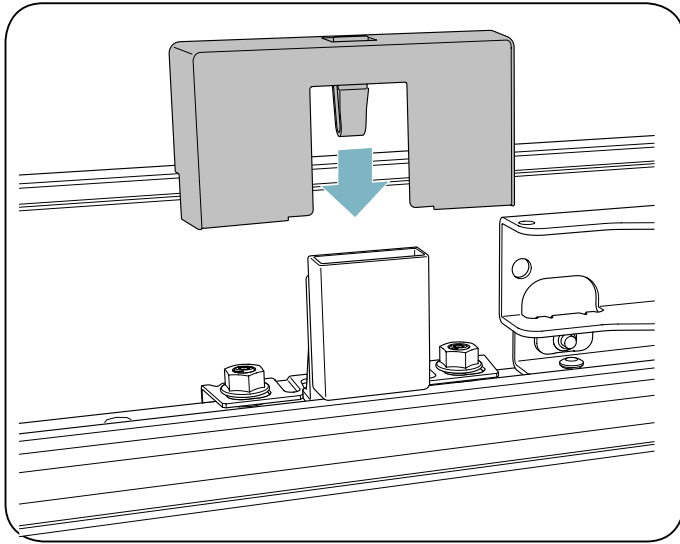
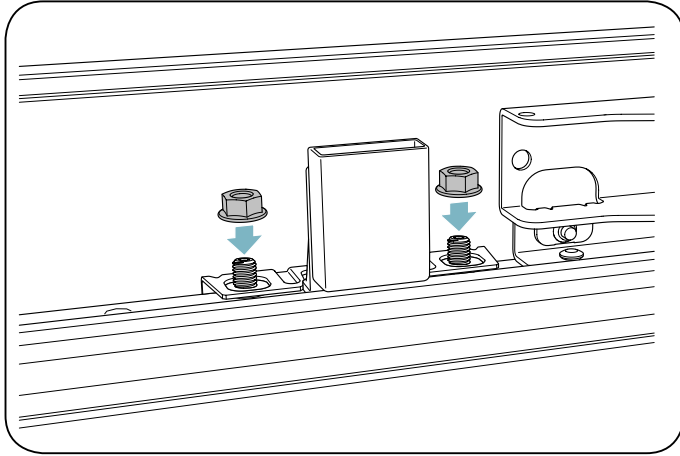


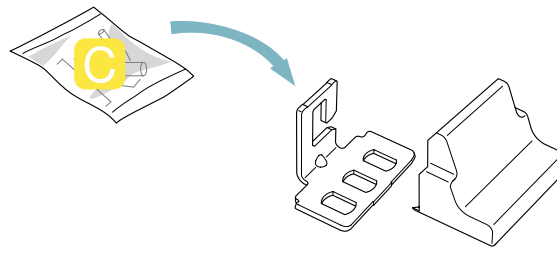
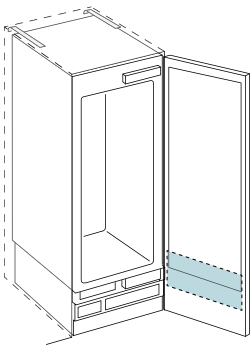
A

B

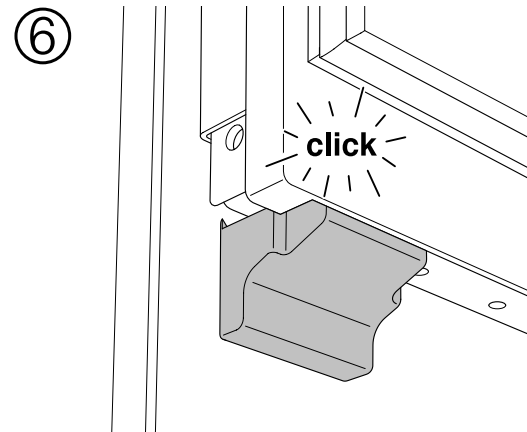
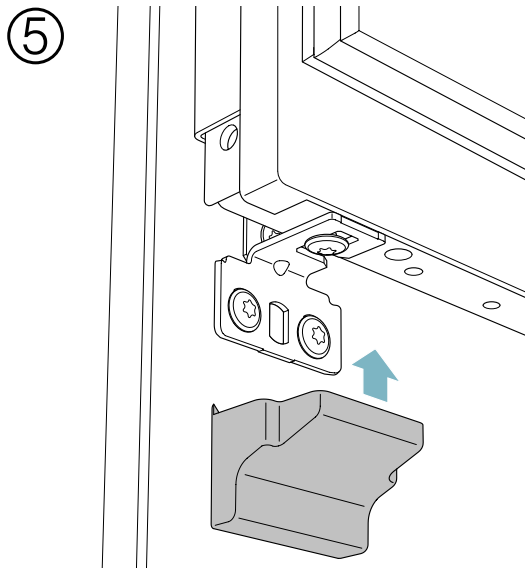
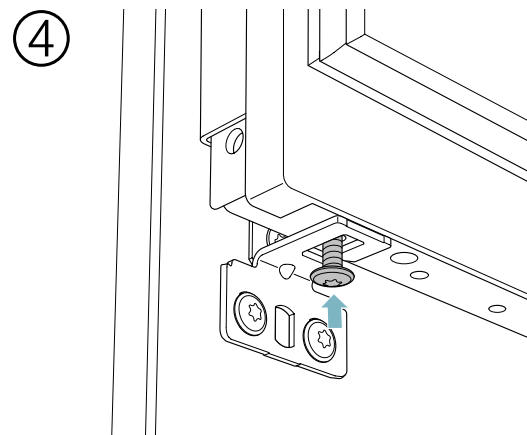
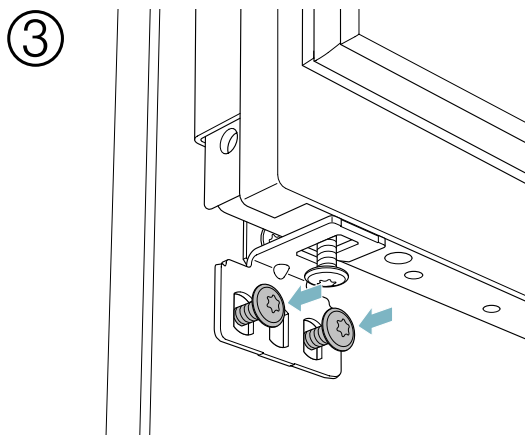
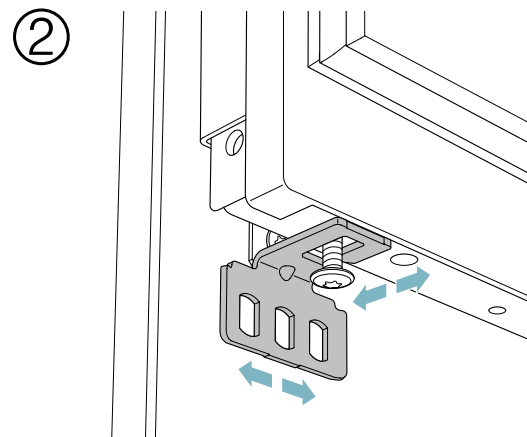
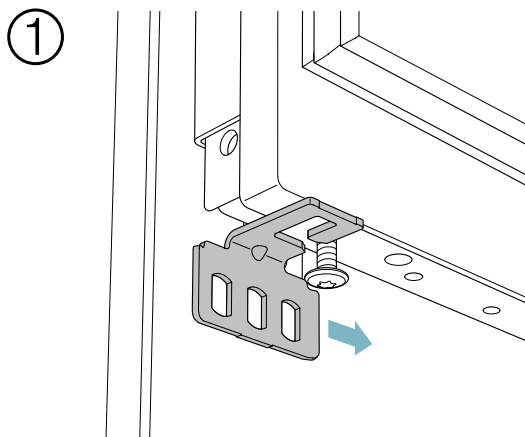
C

D





- A
- B
- C
- D

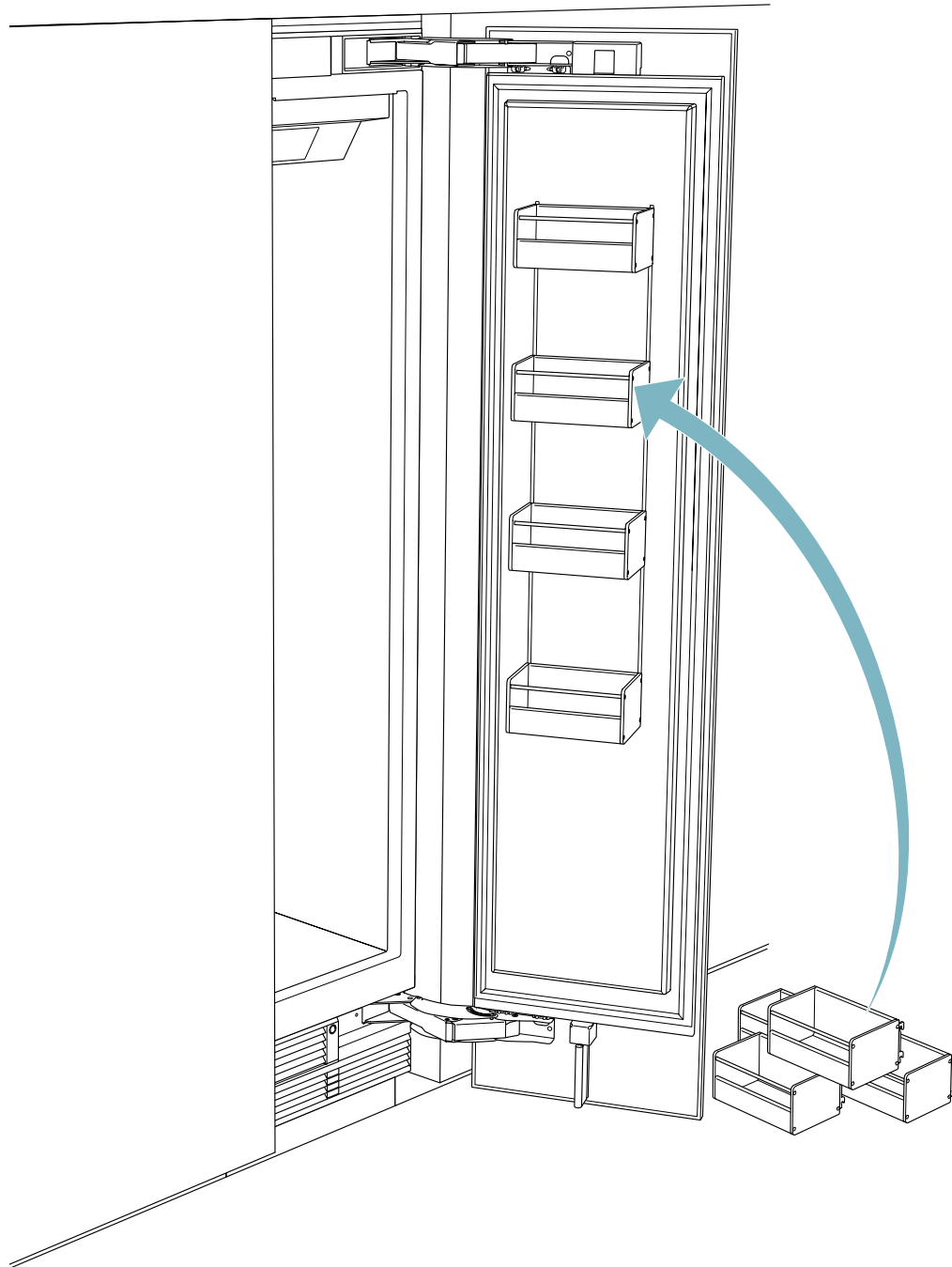


A

B

C

D

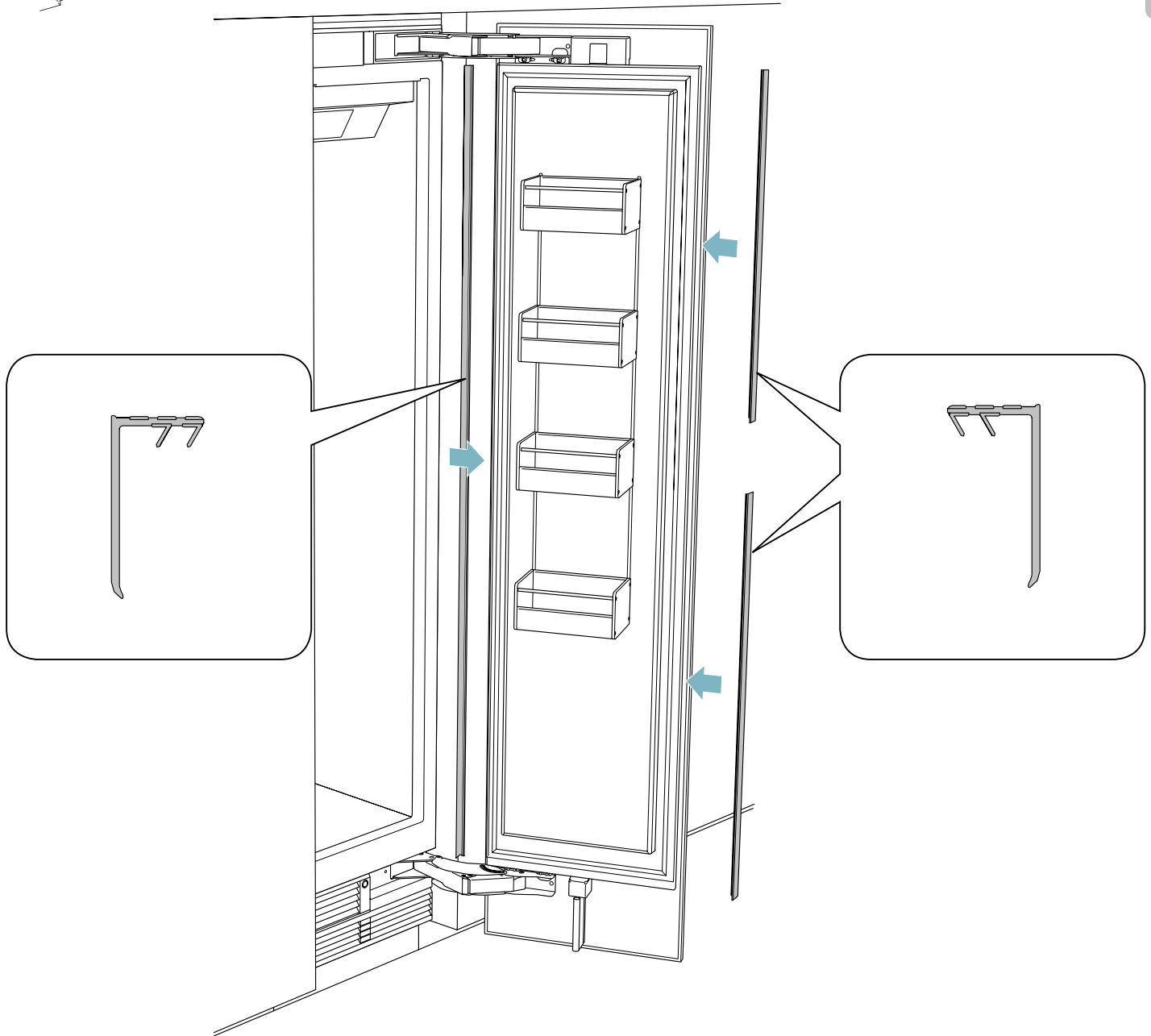
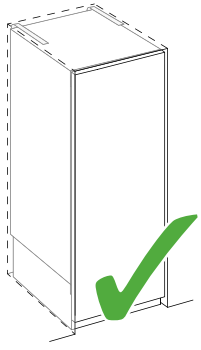


A

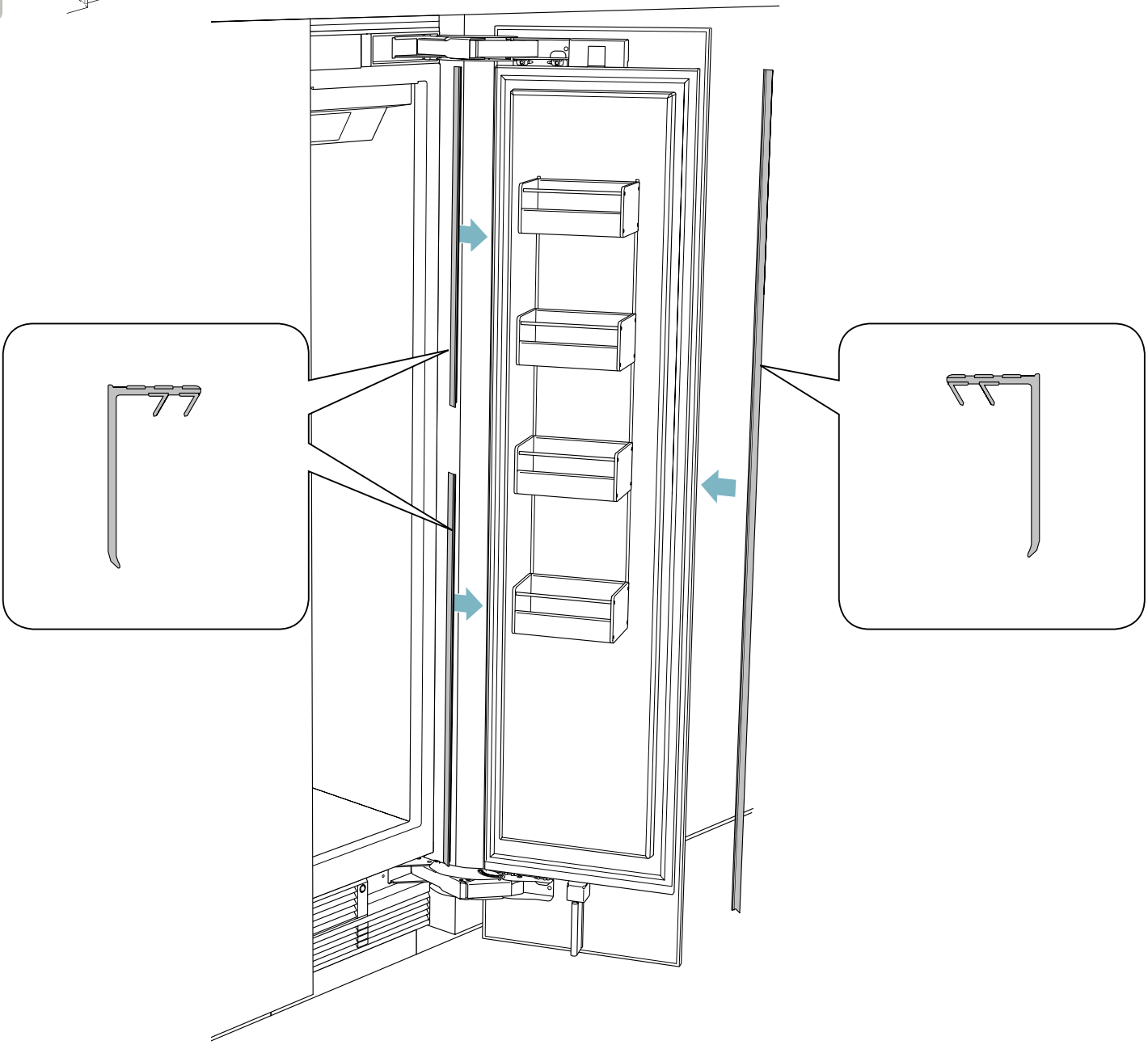
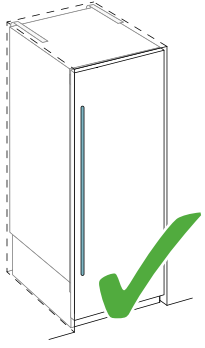
B

C

D



- A
- B
- C**
- D

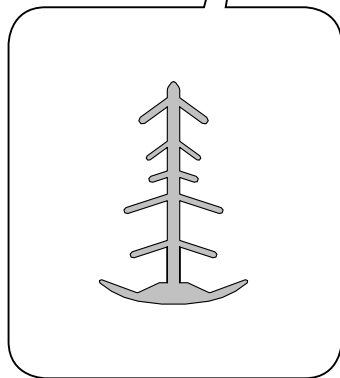
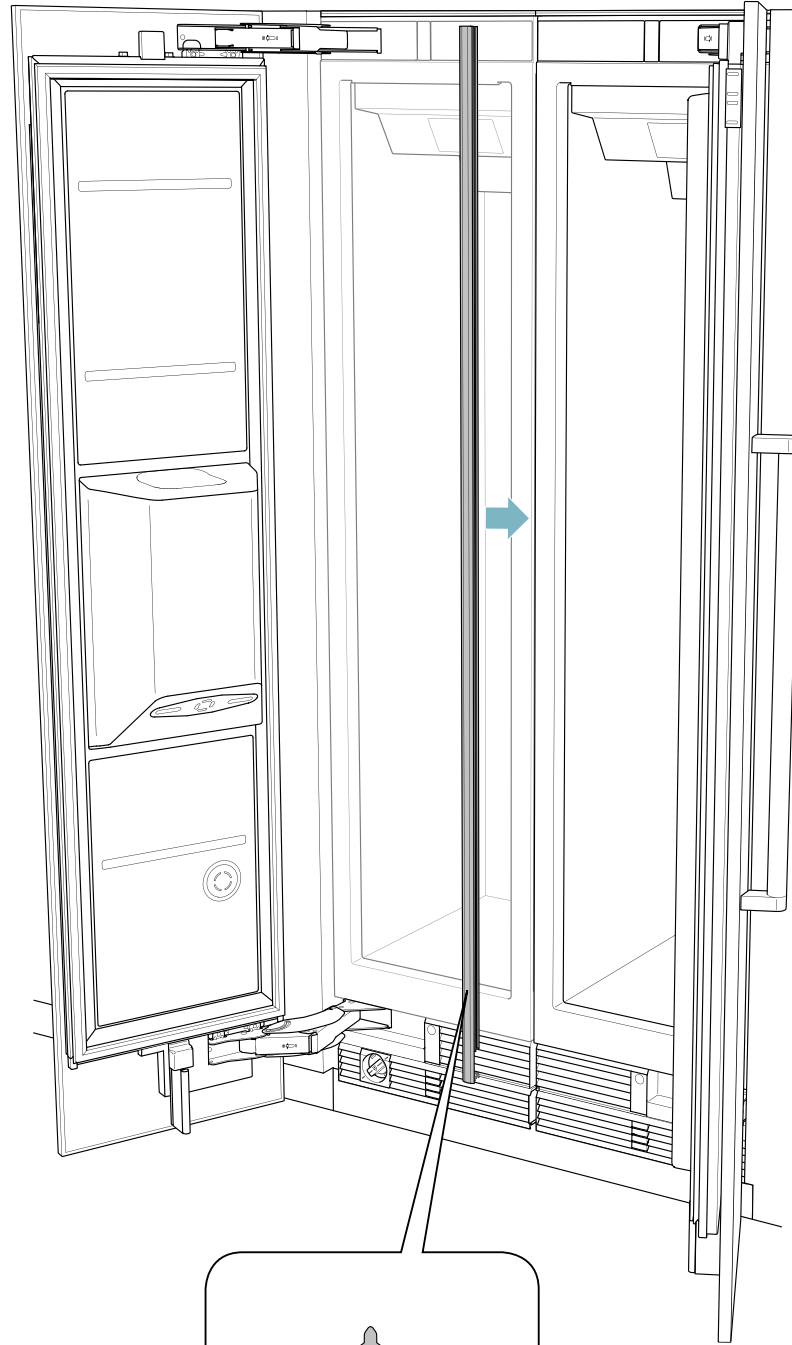


A

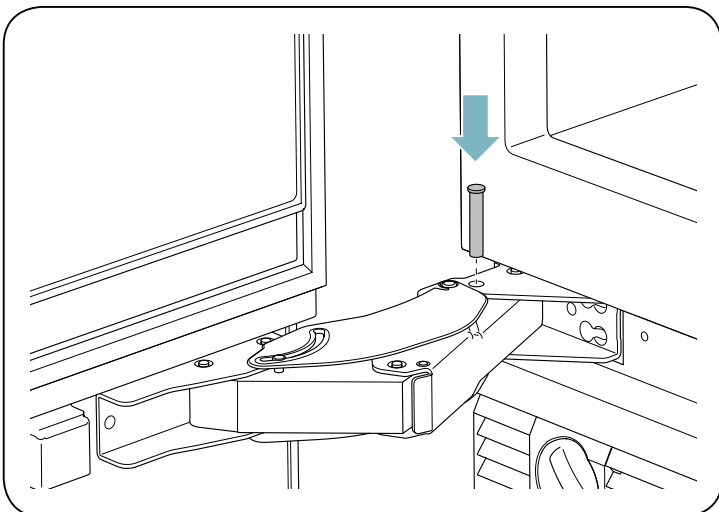
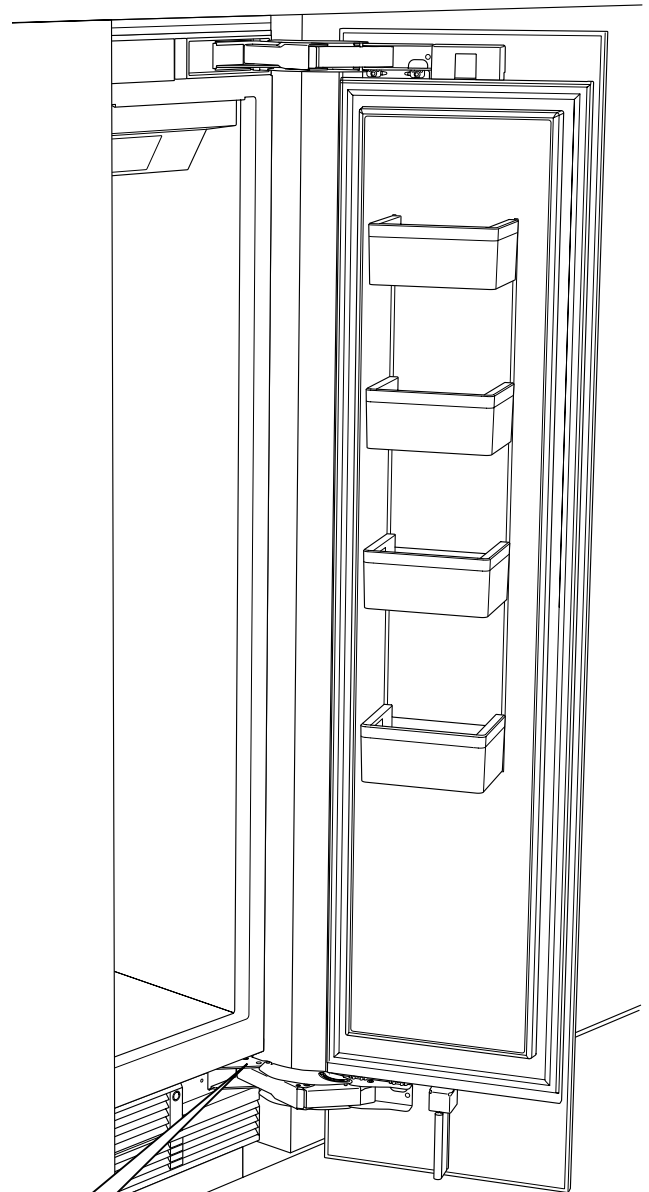
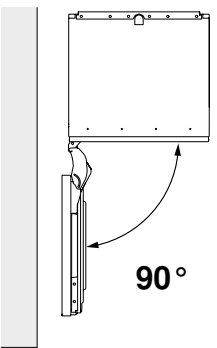
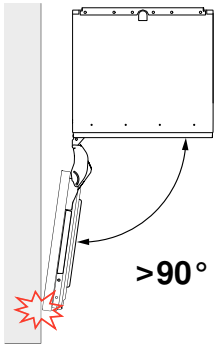
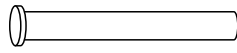
B

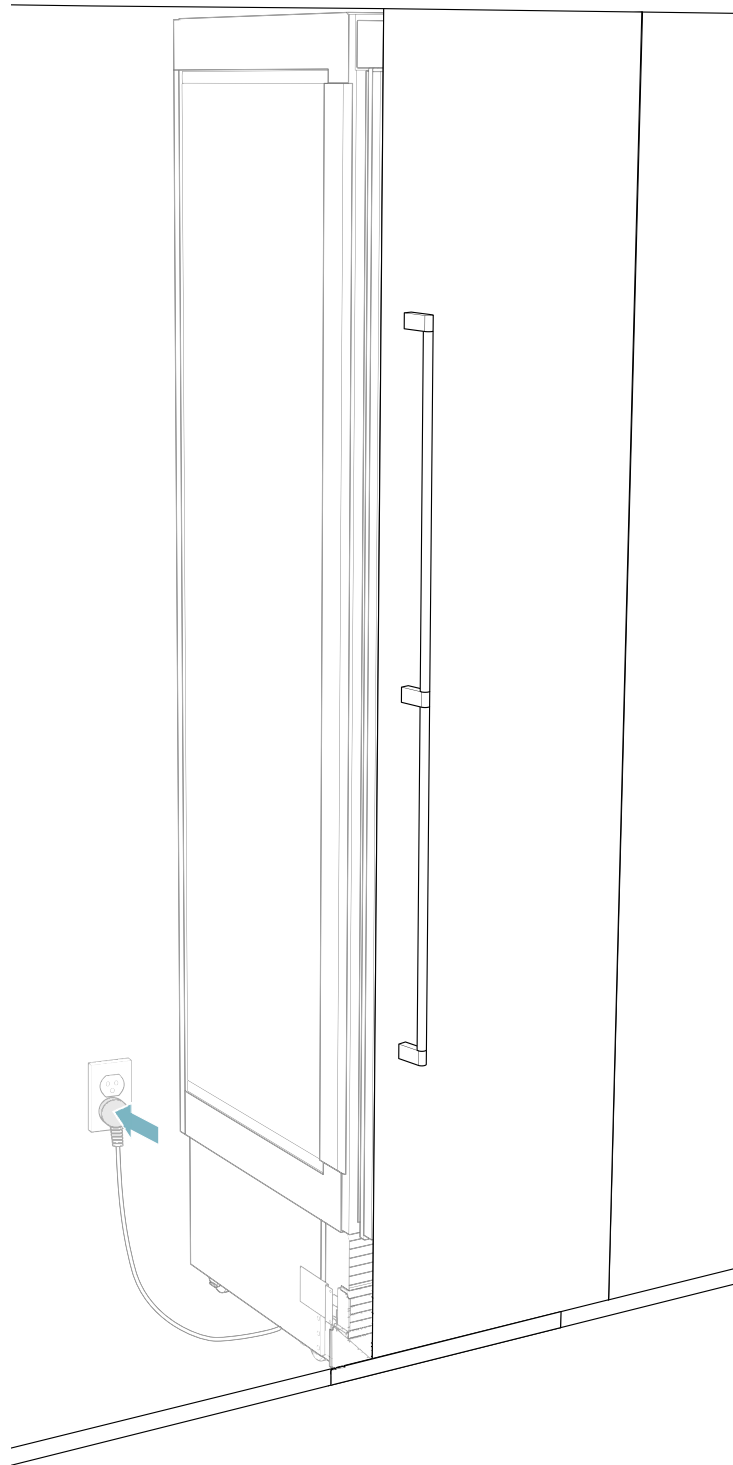
C

D



- A
- B
- C
- D





Gaggenau Hausgeräte GmbH
Carl-Wery-Straße 34
D-81739 München
www.gaggenau.com

8001041003 (9712)
xx

GAGGENAU

